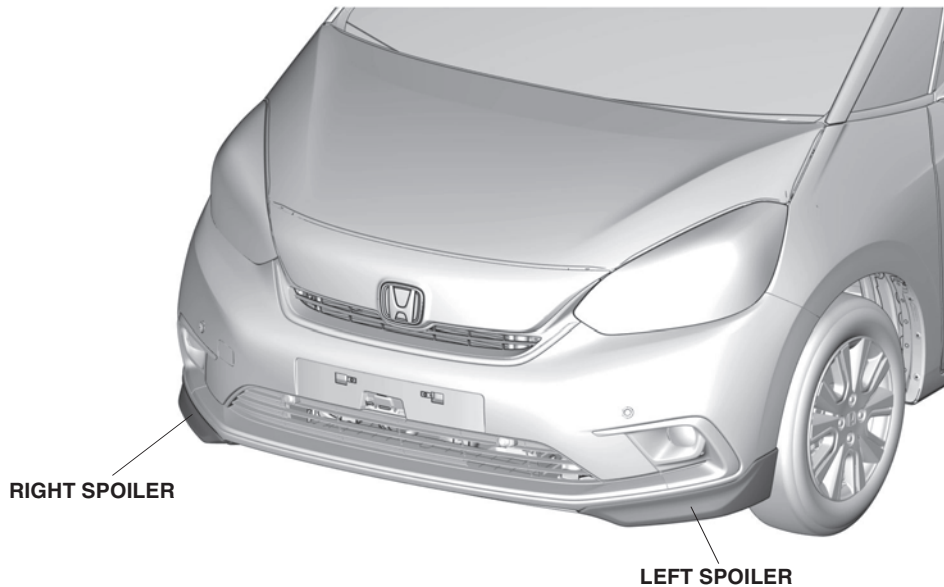


FRONT UNDER SPOILERS

JAZZ

GENERAL VIEW



QJ70901AT

FOR YOUR SAFETY (Read carefully)

Introduction of Symbol Messages

- These symbols warn you about the possible hazards and explain how to avoid them. And give you some advices.

⚠ DANGER

You will be killed or seriously hurt if you do not follow the instructions.

⚠ WARNING

You can be killed or seriously hurt if you do not follow the instructions.

⚠ CAUTION

You can be hurt if you do not follow the instructions.

NOTICEGives advice to prevent damage to the product.
Gives helpful information or instructions to be followed in using the product.

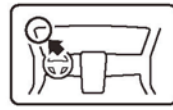
Indicates prohibited actions.

Introduction of Icons

- These icons indicate the working place and the worker's vision.



The place for the vehicle.



The place for the instrument panel.

- These icons indicate the necessary things for your safety and the work.



Wear eye protection.



Wear heavy gloves.



Work with an assistant.



Place the part on a blanket.



Remove any burrs.



Use the touch-up paint and dry.



Keep the parts and give it to the customer.
(Not use)



Press firmly.



Tighten by specified torque.

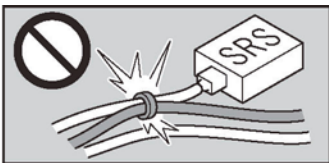


Work perpendicularly.

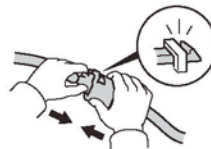


Clean with the contact cleaner.

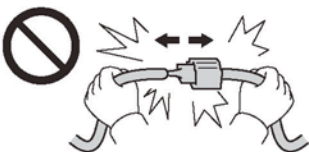
Wire Harness Routing Precaution



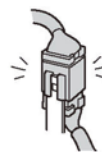
Do not clamp the accessory harness and SRS harness together.



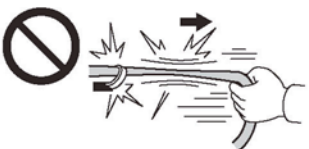
Connect the connectors and terminals securely until they lock.



Do not pull the harness to disconnect the connectors.



Reinstall the connectors to the original positions if they are removed.



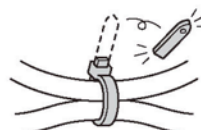
Do not pull the harness strongly.



Secure the accessory harness to the specified position, not to hang down.



Do not pinch the harness with the parts.



Cut off the excess of the wire ties.

Safety: General

- Observe all safety notes and precautions described in the Shop Manual in addition to those described in this Installation Instructions. Be extremely careful for your safety and safety of others particularly.
- Be careful not to damage the vehicle and the parts.
- Be extremely careful to the handling of the retaining tabs and clips particularly.
- Note the locations of the parts before removing them so that they can be reinstalled in their original positions properly.
- The illustrations may differ a little from the actual accessories for the design change of the vehicle.

Safety: For Electric Parts

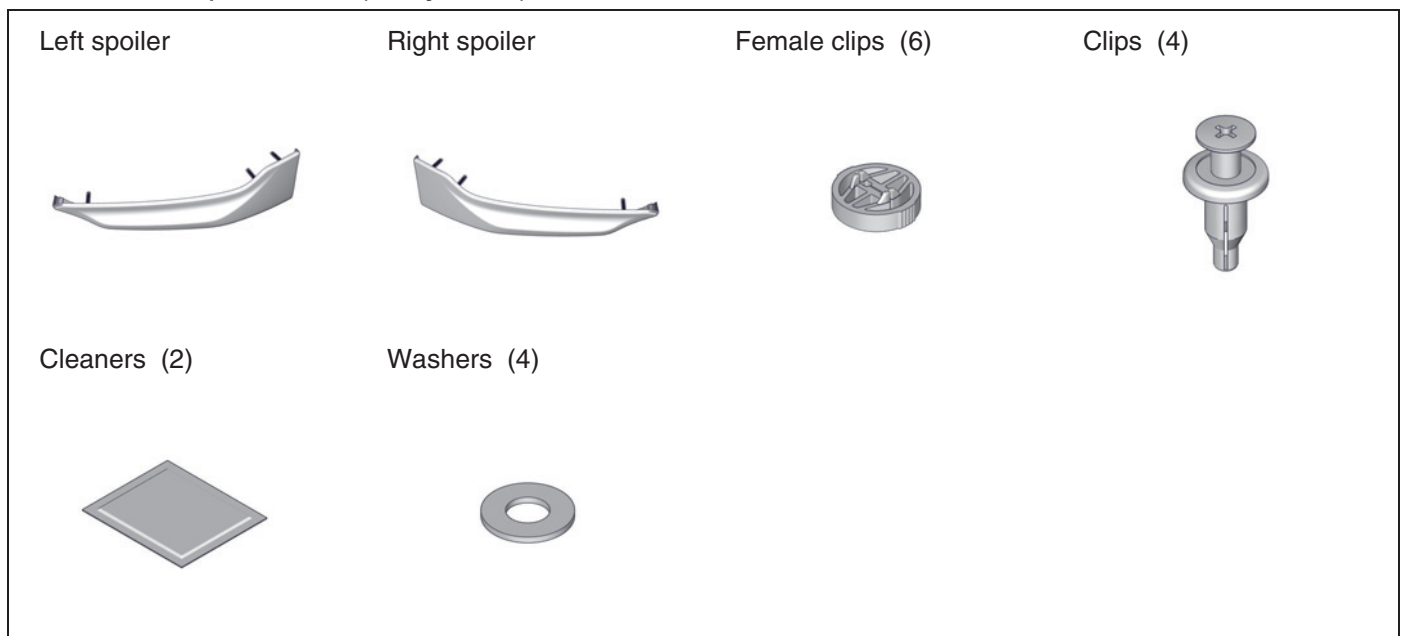
- Do not perform the installation of the accessories with having connected negative cable of the battery.

Safety: For the Accessory

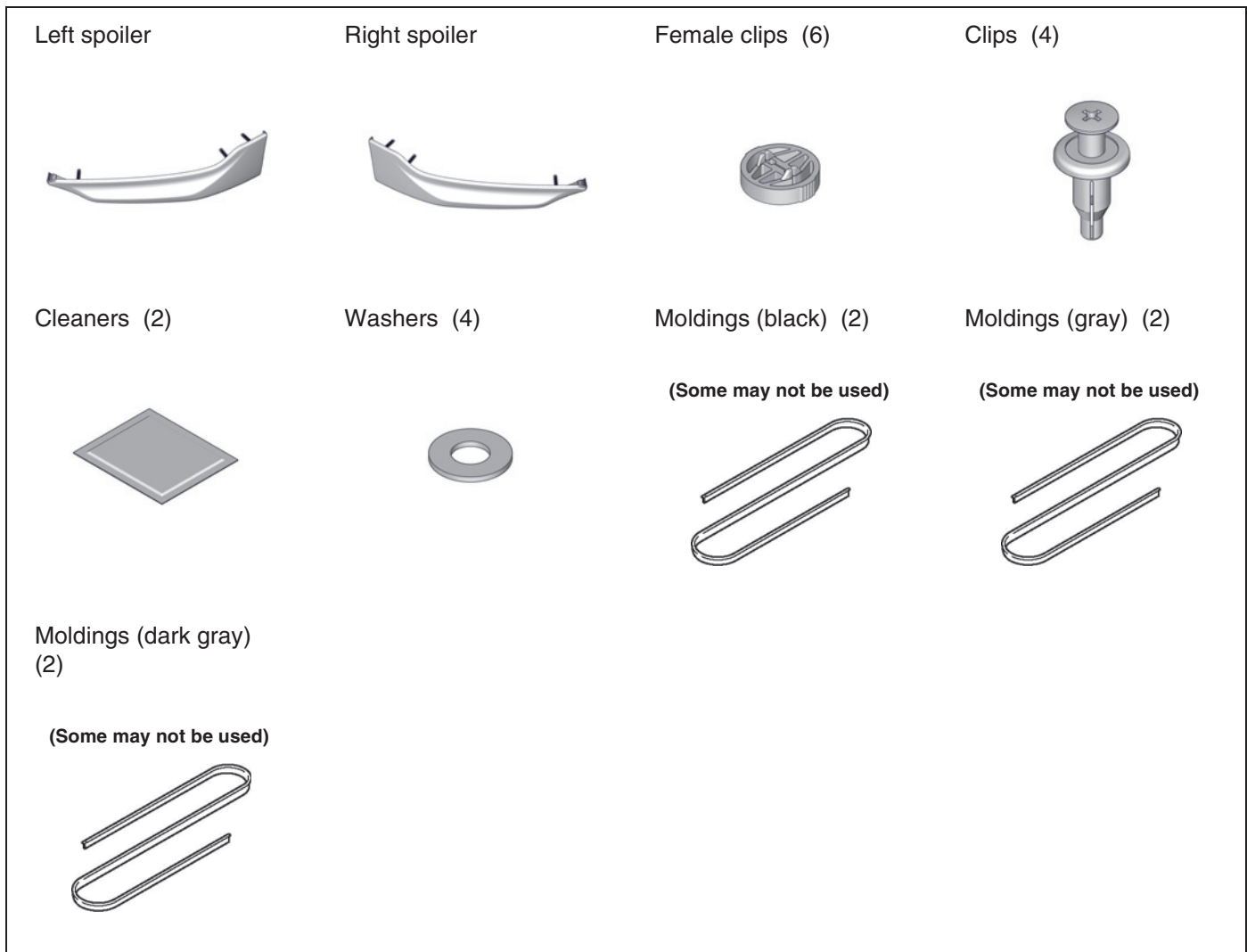
- **Always use the parts and tools specified in the installation instructions.**
- **Do not perform installation work and attaching work at the place where gets the direct rays of the sun or the dust appears.**
- **Always install these accessories at the ambient air temperature 15°C (60°F) or above.**
- **Heat the accessories and bonding surfaces if the ambient air temperature is below 15°C (60°F).**
- **Attach the accessories by pressing it firmly with the palm of your hand. Be careful not to damage the accessories and the vehicle parts.**
- **Carefully place the double-sided adhesive tape on the proper position. Once the double-sided adhesive tape touches the surface, do not try to detach and relocate it. If you attempt to move after it touches the surface, you will damage the part before the adhesive will give way.**
- **Not to wash the vehicle for 24 hours to allow the adhesive to cure.**

PARTS LIST

Front Under Spoilers Kit (Body color)



Front Under Spoilers Kit (Material)



TOOLS AND SUPPLIES REQUIRED

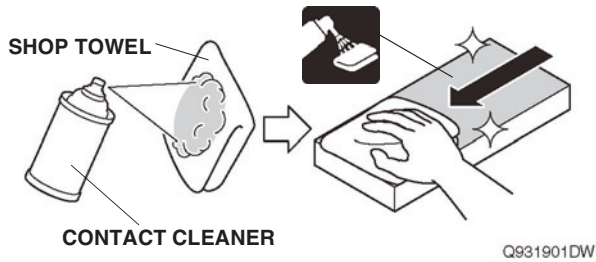
- Phillips screwdriver
- File
- Tape
- Ratchet
- Contact cleaner
- 3 mm, 6 mm, 8 mm, and 10 mm Drill bits
- Masking tape
- Shop towel
- Blanket
- 10 mm Socket
- Drill
- Eye protection (face shield, safety goggles, etc.)
- Pushpin
- Ruler
- Nippers
- Handy remover
- 10 mm Open end wrench

INSTALLATION

How to Use the Contact Cleaner

- Using contact cleaner on a shop towel, thoroughly clean the areas where the accessories will be attached.

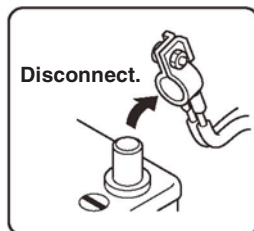
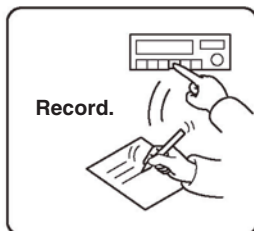
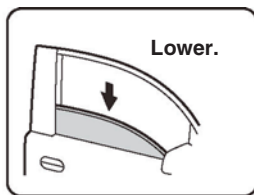
NOTICE
<ul style="list-style-type: none"> Always use the contact cleaner. Do not apply the cleaner to the object of the work directly. Completely dry the cleaned areas before attachment work.



Disconnecting the Battery Cable

- Perform the works before disconnecting the negative cable from the battery as shown below.
- Make sure if you have the anti-theft code for the audio/navigation system. Record some settings of the vehicle if necessary.
- Disconnect the negative cable from the battery.

NOTICE
<ul style="list-style-type: none"> Make sure not to disconnect the negative cable from the battery three minutes after turning the power switch to OFF.



QCD0502BM

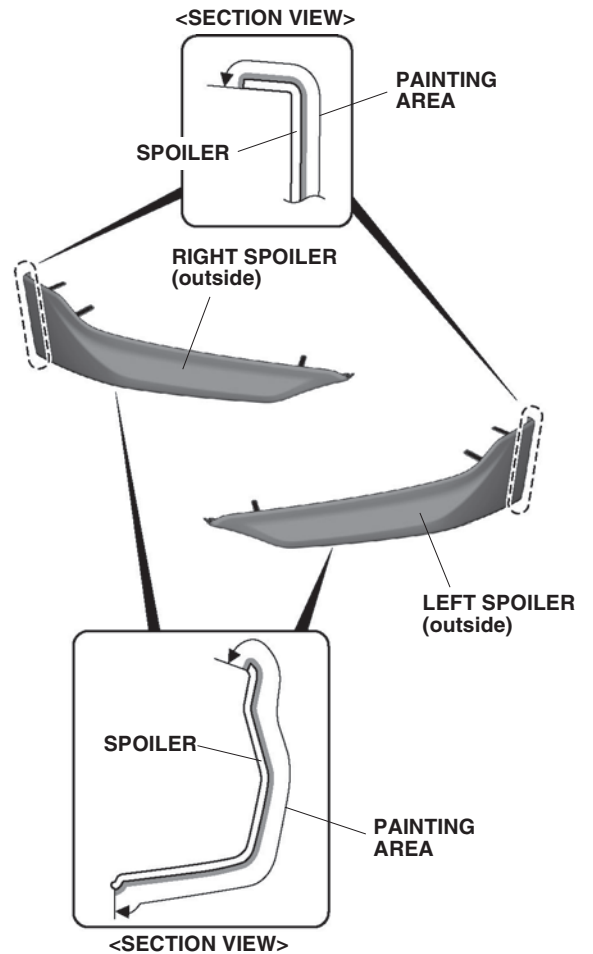
Painting the Spoilers

- Follow the below guidance.

<ul style="list-style-type: none"> Material kit 	To step 5
<ul style="list-style-type: none"> Body color kit 	To step 7

- Paint the spoilers.

NOTICE
<ul style="list-style-type: none"> Dry the painted areas thoroughly.

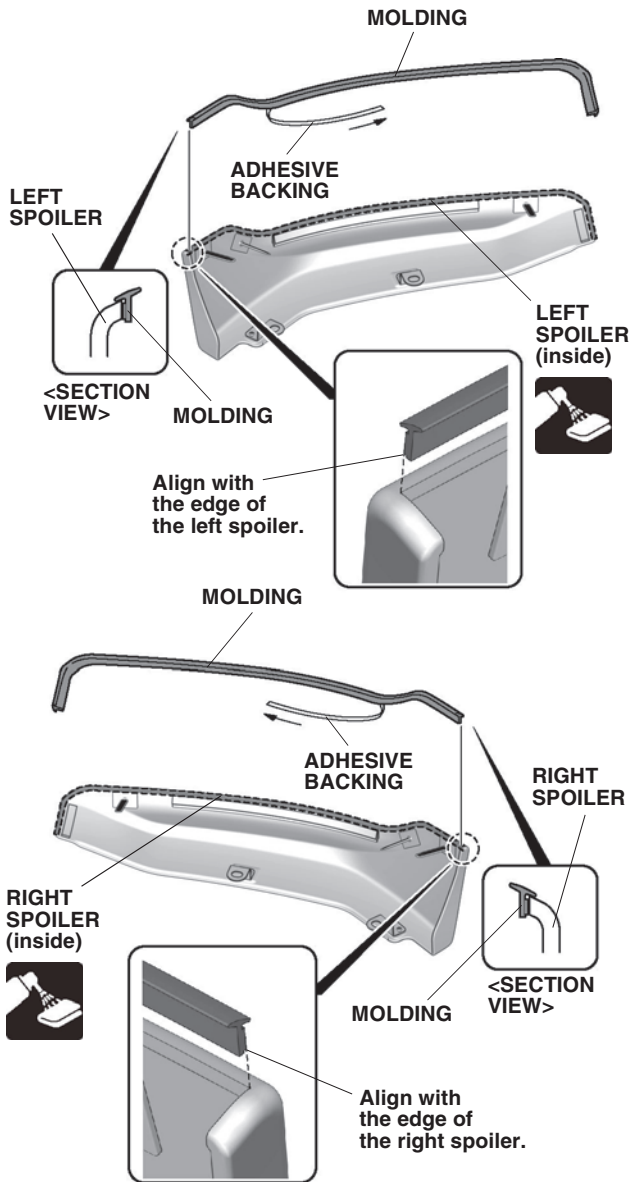


QJ70911AT

6. Attach the moldings.

NOTICE

- Attach the black, gray, or dark gray moldings according to the color of the vehicle.
- Cut the excess of the moldings if necessary.



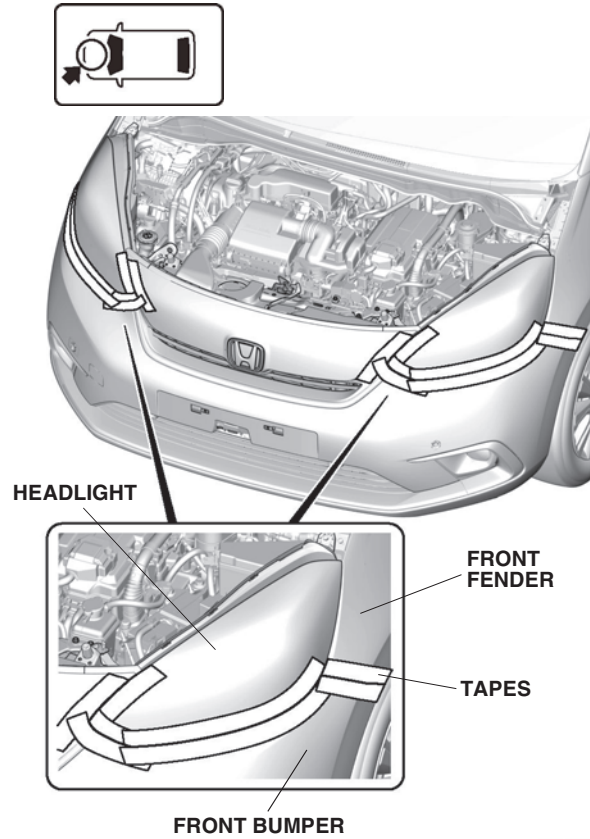
QJ70912AT

Removing the Vehicle Parts

7. Attach the tapes to protect the vehicle.

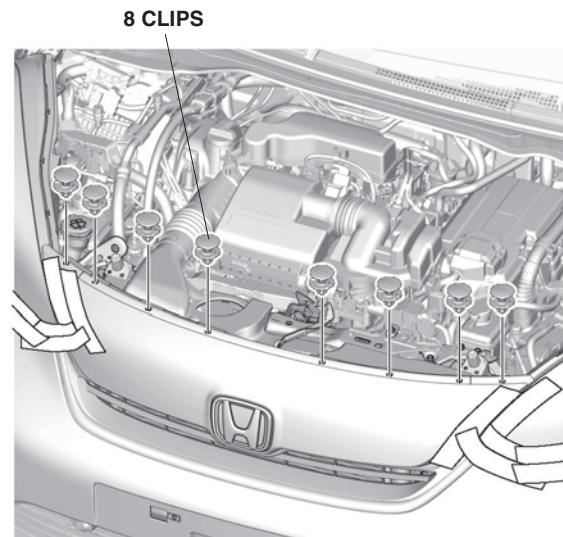
NOTICE

- Do not remove the tapes until after the reinstallation.



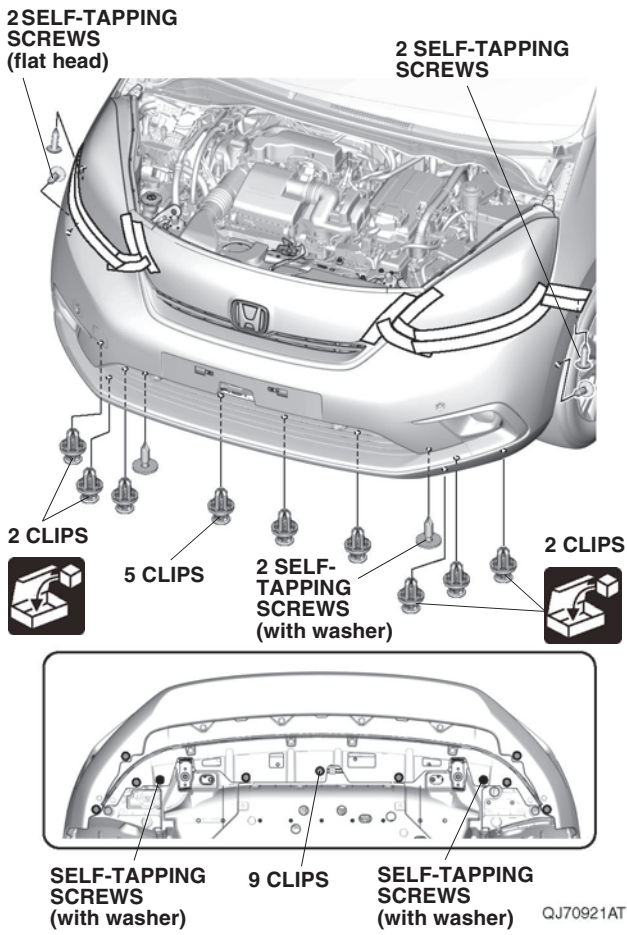
QJ70902AT

8. Remove the clips.



QJ70903AT

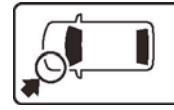
9. Remove the self-tapping screws, and clips.



10. Release the retaining tabs.

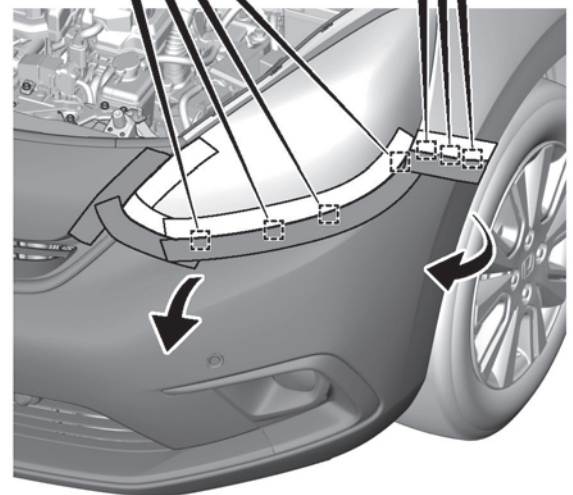
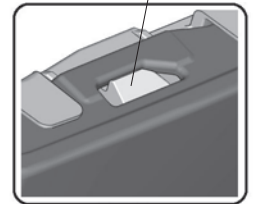
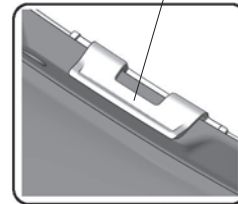
NOTICE

- Remove the retaining tabs in order from outside.
- Make sure to remove the retaining tabs in the correct orientation.



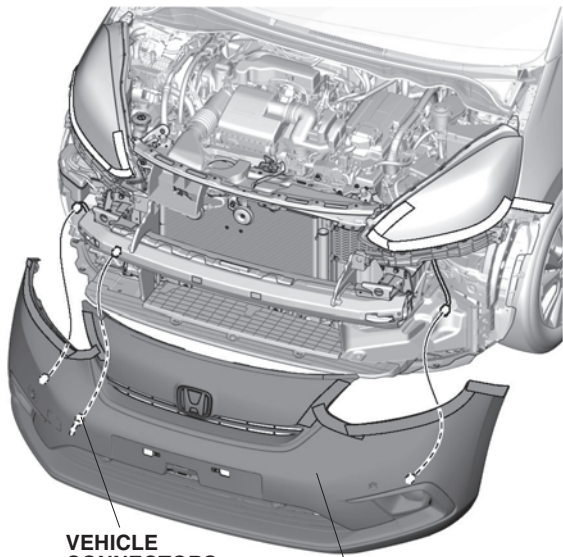
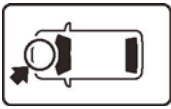
4 RETAINING TABS

3 RETAINING TABS



11. Repeat step 10 for the other side.

12. Remove the front bumper.



VEHICLE CONNECTORS (if equipped)

FRONT BUMPER

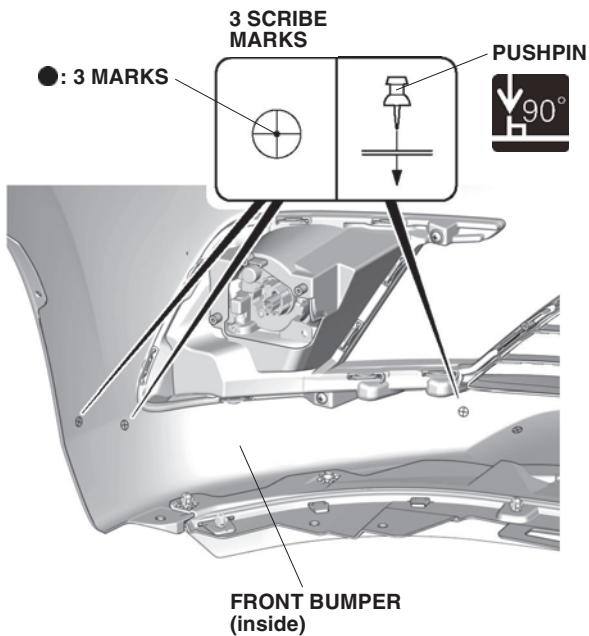
QJ70906AT

Installing the Spoilers

13. Pierce the front bumper.

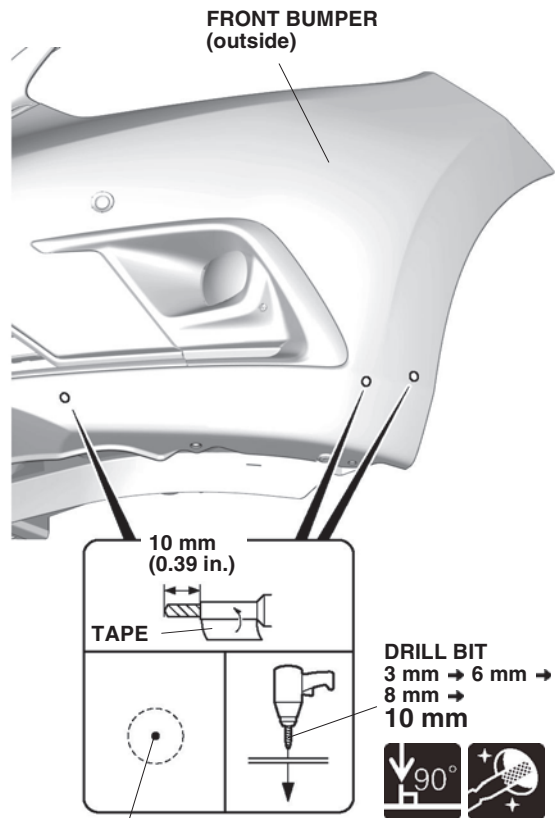
NOTICE

- Make sure to locate the correct scribe mark.



QJ70913BT

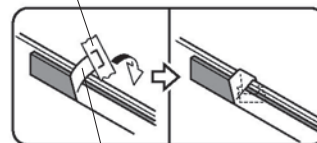
14. Drill the front bumper.



QJ70914BT

15. Temporarily attach the adhesive backings.

MASKING TAPE



2 ADHESIVE BACKINGS



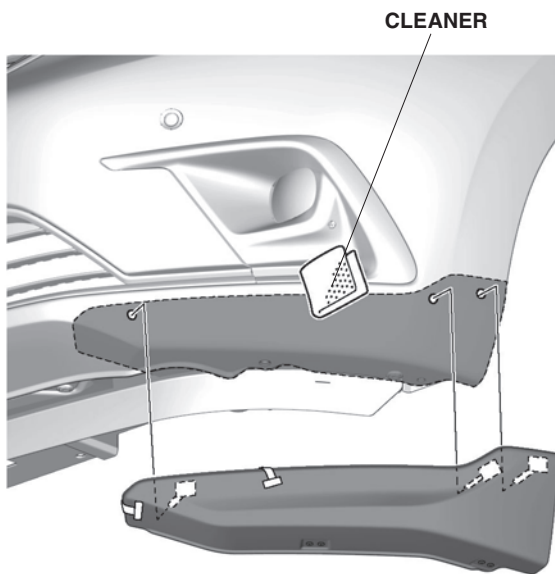
QJ70915AT

16. Clean the attaching area.

NOTICE

- Allow to dry thoroughly.

17. Install the left spoiler.

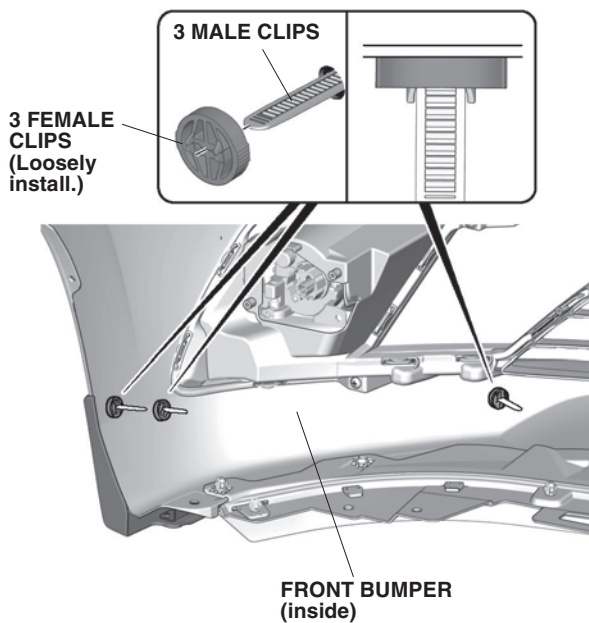


QJ70916BT

18. Loosely secure the left spoiler.

NOTICE

- Make sure to install the female clip in the correct orientation.

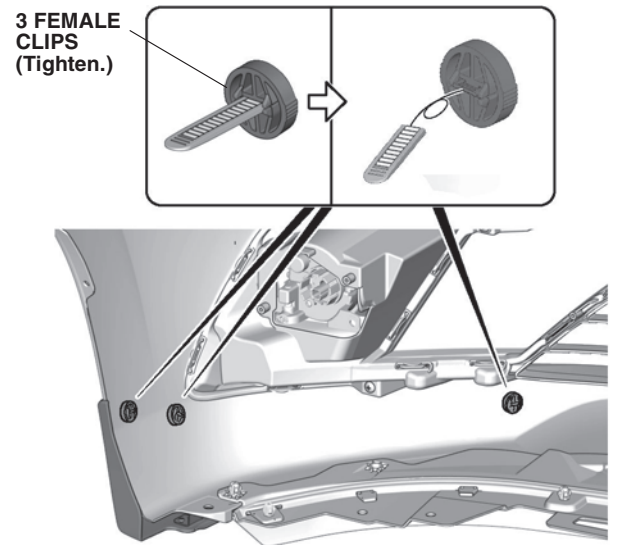


QJ70917CT

19. Secure the left spoiler.

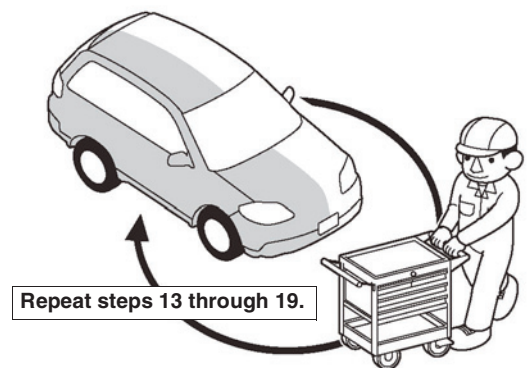
NOTICE

- Do not excessively push in the clip. Make sure to adjust the clip to install the spoiler.



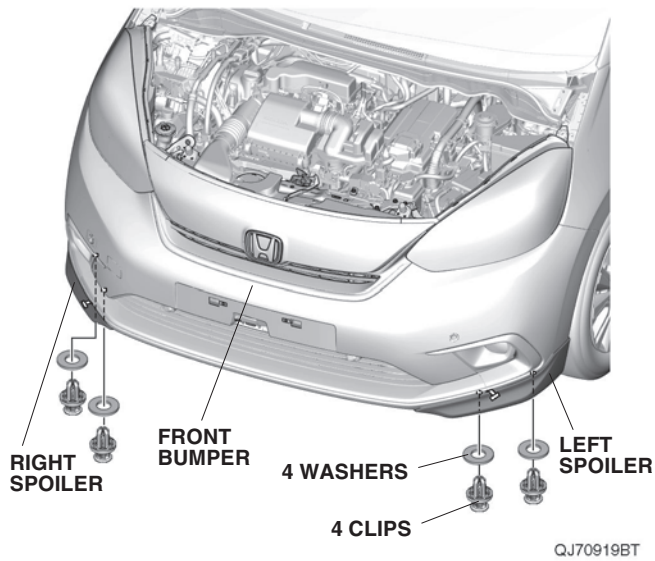
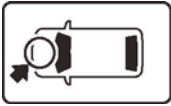
QJ70918CT

20. Repeat same procedures for the other side.

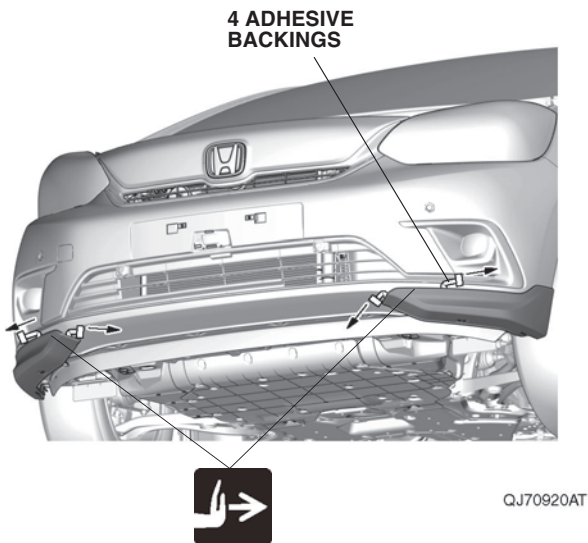


Q9D1014AM

21. Reinstall the front bumper.
22. Secure the left spoiler and right spoiler.



23. Secure the left spoiler and right spoiler.

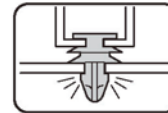


Check After Installation

24. Check that all parts are routed and installed properly.

NOTICE

- Check that the harnesses are not pushed, not pulled and not pinched.
- Check that all clamps and wire ties are installed securely.



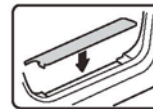
Q060706CM

Reinstalling the All Removed Parts

25. Reinstall all removed parts.

NOTICE

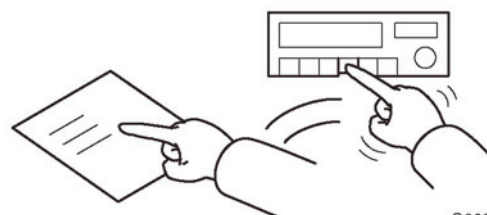
- Be extremely careful not to damage the vehicle parts, pinch the harnesses.
- Make sure to secure the retaining tabs and clips properly to avoid separation.



Q060703CM

Vehicle Check

26. Reconnect the negative cable to the battery.
27. Check that the electric accessories and systems operate properly.
28. Press and hold the audio power button for two seconds, or enter anti-theft code for the audio/navigation system.
29. Reset the memory of each equipment and restore the positions of those control knobs.



Q060704BM