



# ROOF CARRIERS

---

## OWNER'S MANUAL


# ENGLISH

Thank you for purchasing a Honda product.

Please read this Owner's Manual before using the Honda product and keep it in the glove box for future reference.

- This product is designed to be used exclusively with Honda vehicles. Honda is not responsible for the product if it is installed in any vehicles other than suitable Honda vehicles.  
For information on the applicable models, please contact your Honda dealer.
- The Owner's Manual should be considered a permanent part of your vehicle. The manual should remain with the vehicle at all times and stay with the vehicle if the vehicle is sold.

## SPECIAL MESSAGES

- Honda provides many important safety messages in this manual. To ensure your safety and the safety of others, please pay special attention to all the warnings that are preceded by this alert symbol . Failure to follow the warnings contained in this manual may result in serious injury or accident.



### DANGER

- Indicates that severe personal injury or death will result if the instructions are not followed.



### WARNING

- Indicates a strong possibility that serious injury or death may result if instructions are not followed.



### CAUTION

- Indicates a possibility that minor personal injury may result if instructions are not followed.

## SYMBOLS

- If instructions are preceded by the following symbols, the instructions give helpful advice or information.



### ADVICE

- Provides advice to prevent damage to the product.
- Gives advice to handle emergency situations.



### INFORMATION

Gives helpful information or instructions to be followed in using the product.

## SAFETY PRECAUTIONS



### WARNING

- **For 17-inch or 18-inch wheels, the maximum load for the roof is 65kg (143lbs). The maximum load capacity for the roof carrier is 60kg (132lbs) (see load sticker). The weight of the roof carrier itself is 5kg. This roof carrier can support one roof-mounted bike attachment only. Damage to the roof may occur if more than one bike attachment is used.**
- **For 19-inch wheels, the maximum load for the roof is 50kg (110lbs). The maximum load capacity for the roof carrier is 45kg (99lbs) (see load sticker).**  
**Do not use the roof carrier to transport a bicycle. Doing so may damage the roof.**
- Do not overload. Make sure to fasten the load so that it cannot come loose or cause damage. Be careful to secure the load against movement in the driving direction or sideways movements. When loading the roof carrier, make sure that the weight is evenly distributed and that the centre of gravity of the load is kept as low as possible.
- Depending on the sales area, not all wheel sizes and attachments may be applicable.
- For safety reasons, make sure that the load does not protrude beyond the vehicle outline.
- Before driving, make sure that all fastening parts are fixed according to regulations. Make sure that the load is fastened properly. Stop to check the roof carrier after you drive a short distance. Then check the roof carrier every time before you drive.
- Please pay attention to the altered behaviour of the vehicle (due to side wind sensitivity, when driving around bends and when braking) when you drive a mounted (loaded) roof carrier. To safeguard other road users and to reduce air resistance, remove the roof carrier when the roof carrier is not in use.
- Obey local laws and regulations.



### ADVICE

- When objects with large surfaces are transported (e.g. surfboards, ski/transport boxes), the roof of the vehicle incurs extra strain due to the significantly increased air resistance. (When you transport a surfboard, the bow should point downwards in the driving direction) The driving characteristics change as well. Therefore, we recommend that you adjust your speed accordingly.
- Do not put the vehicle through an automatic vehicle wash when the roof carrier is mounted.
- Be careful when you load a long object, as it may interfere with the load when you open and close the tailgate.

# KIT

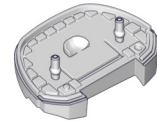
Front roof carrier  
(Identification mark: FRONT LEFT)



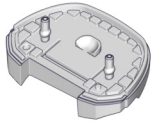
Rear roof carrier  
(Identification mark: REAR LEFT)



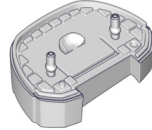
Right front cushion  
(Identification mark: FR-R)



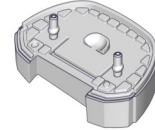
Left front cushion  
(Identification mark: FR-L)



Right rear cushion  
(Identification mark: RR-R)



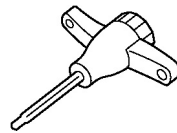
Left rear cushion  
(Identification mark: RR-L)



2 Keys



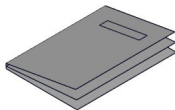
Wrench



2 Slot covers

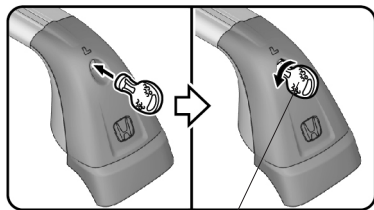
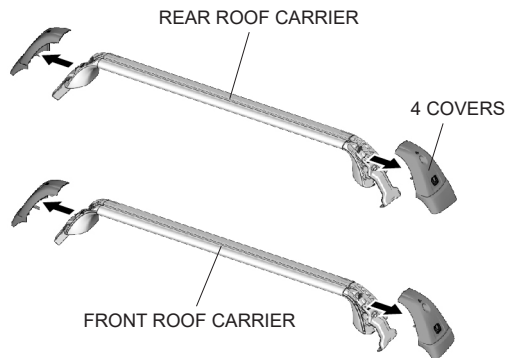


Owner's Manual



## INSTALLATION

1. Remove the covers from the roof carriers.



KEY  
(Turn 90°  
anticlockwise to  
unlock).

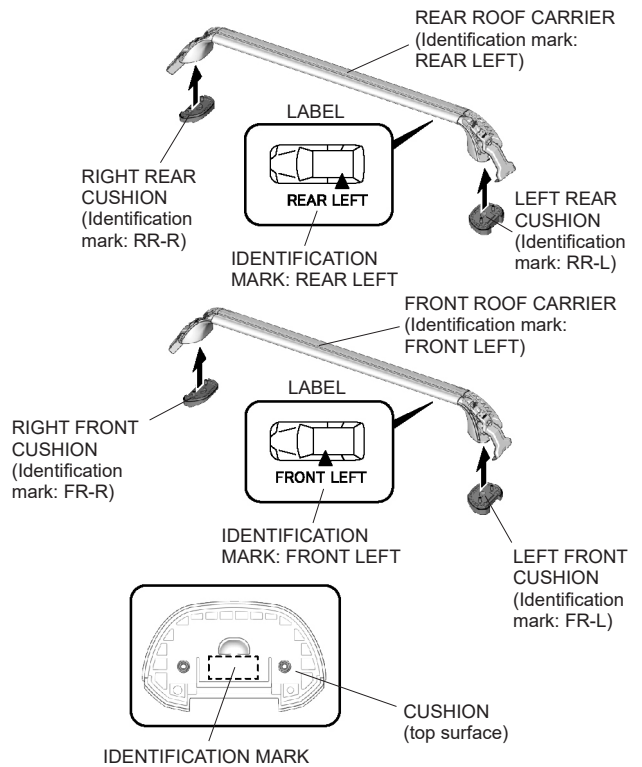
QL011010J

2. Install the cushions on the roof carriers.



### ADVICE

- Check the identification mark before installation.



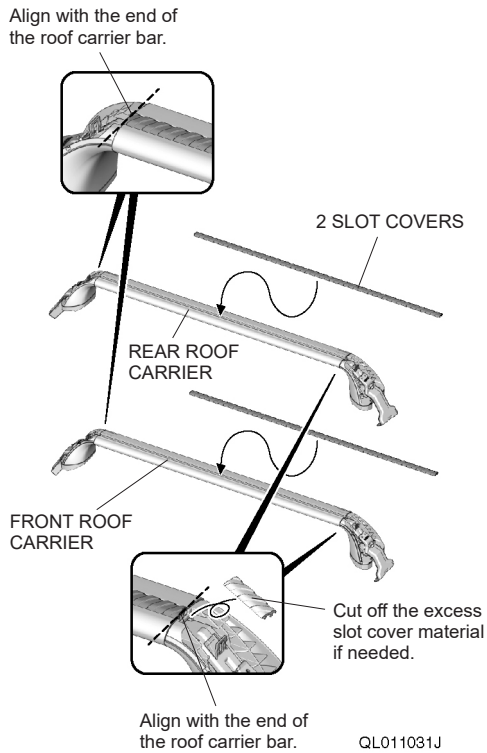
QL011021J

3. Install the slot covers on the roof carriers.



**ADVICE**

- Cut off the excess slot cover material if needed.



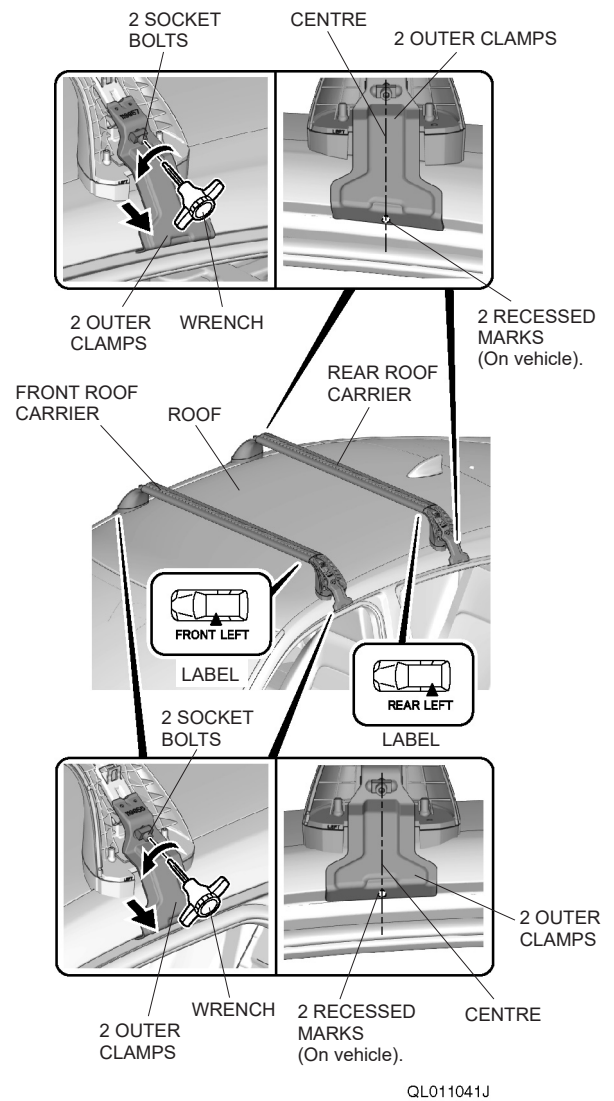
4. Loosen the socket bolts.

5. Position the roof carriers onto the roof and align the outer clamp centres with the recessed marks on the vehicle.



**ADVICE**

- Check the label before installation.

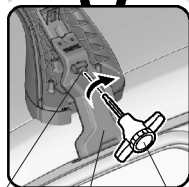
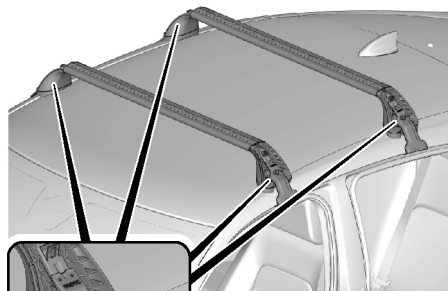
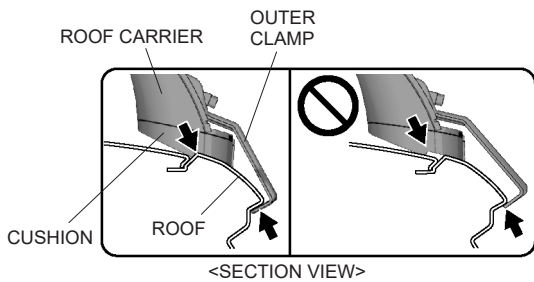


6. Loosely tighten the socket bolts.
7. Secure the roof carriers.



### ADVICE

- Make sure that there are no gaps between the roof and the cushions.
- Tighten the left and right socket bolts alternately to even the pressure.
- Tighten the left and right socket bolts until you hear a clicking sound.



- 4 SOCKET BOLTS
- 4 OUTER CLAMPS
- WRENCH  
(Turn until you hear a clicking sound.)

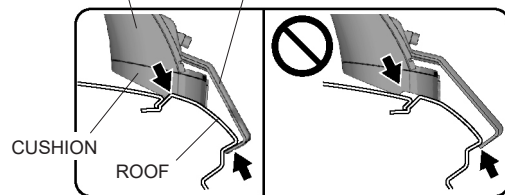
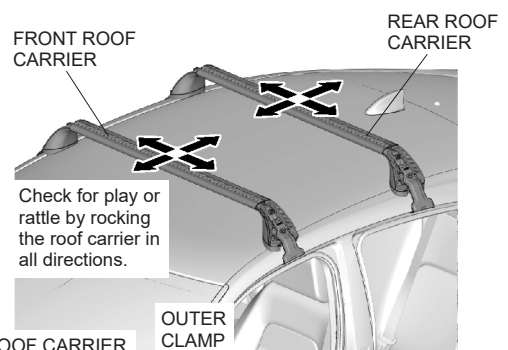
QL011051J

8. Make sure that the roof carriers are firmly secured.



### ADVICE

- Make sure that there are no gaps between the roof and the cushions.
- Rock the roof carriers in all directions to check if they are installed securely without play or rattle.
- If the roof carriers have abnormal play or rattle, retighten the socket bolts. Alternatively, reinstall the roof carriers as described in these installation instructions.



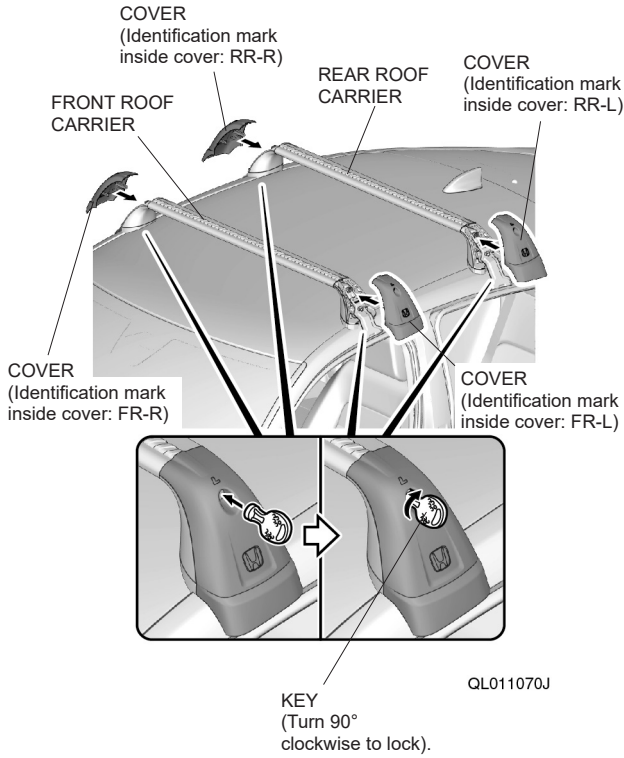
QL011061J

9. Install the covers on the roof carriers.

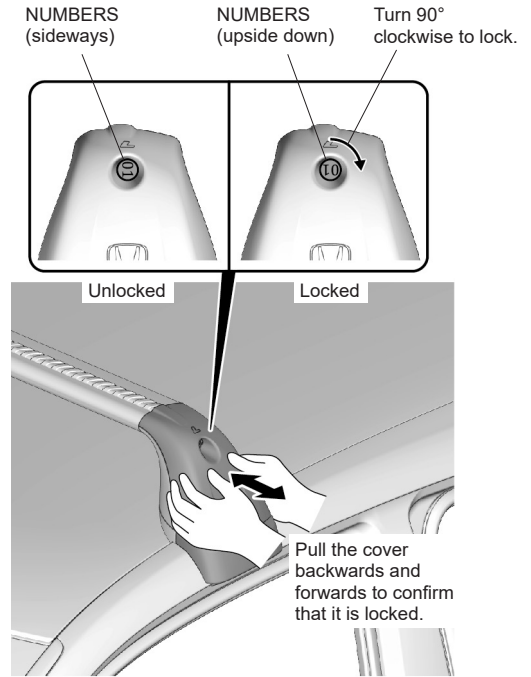


**ADVICE**

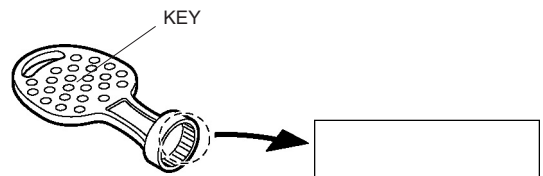
- Check the identification mark before installation.



10. Confirm that the covers are locked.



11. Write down the key number.



QKD24080H

12. Check that all parts are installed properly.  
(End of installation)

**HOW TO REMOVE THE ROOF CARRIERS**

- Remove the roof carriers in the reverse order of installation.