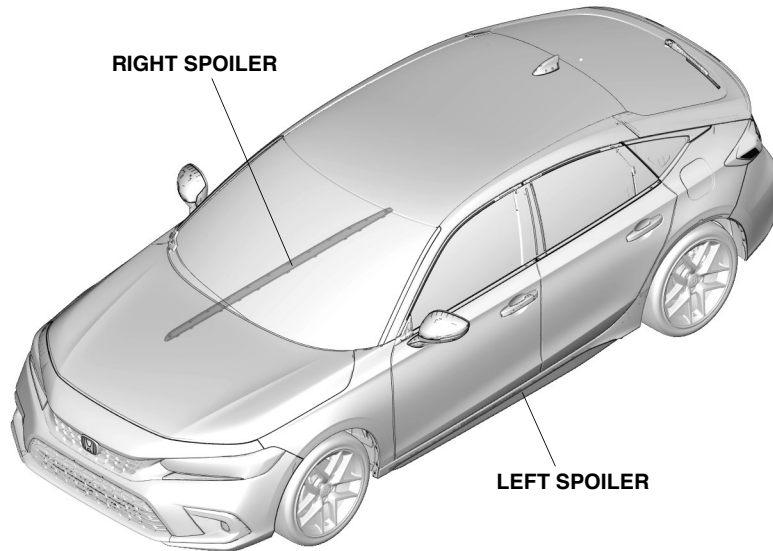


SIDE UNDER SPOILERS

CIVIC

GENERAL VIEW



QL00301AT

FOR YOUR SAFETY (Read carefully)

Introduction of Symbol Messages

- These symbols warn you about the possible hazards and explain how to avoid them. The symbols also provide you with some advice.

⚠ DANGER

You will be killed or seriously hurt if you do not follow the instructions.

⚠ WARNING

You may be killed or seriously hurt if you do not follow the instructions.

⚠ CAUTION

You may be hurt if you do not follow the instructions.

NOTICE

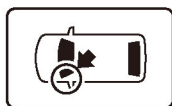
Gives advice to prevent damage to the product.
Gives helpful information or instructions to be followed in using the product.



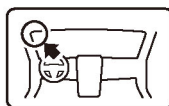
Indicates prohibited actions.

Introduction of Icons

- These icons indicate the working place and the worker's viewing angle.



The place for the vehicle.



The place for the instrument panel.

- These icons indicate the necessary actions that need to be taken to ensure your safety and the success of the work.



Wear eye protection.



Wear heavy gloves.



Work with an assistant.



Place the part on a blanket.



Remove any burrs.



Use the touch-up paint and dry.



Keep the parts and give them to the customer. (Do not use)



Press firmly.



Tighten by the specified torque.



Work perpendicularly.



Clean with the contact cleaner.

Safety: General

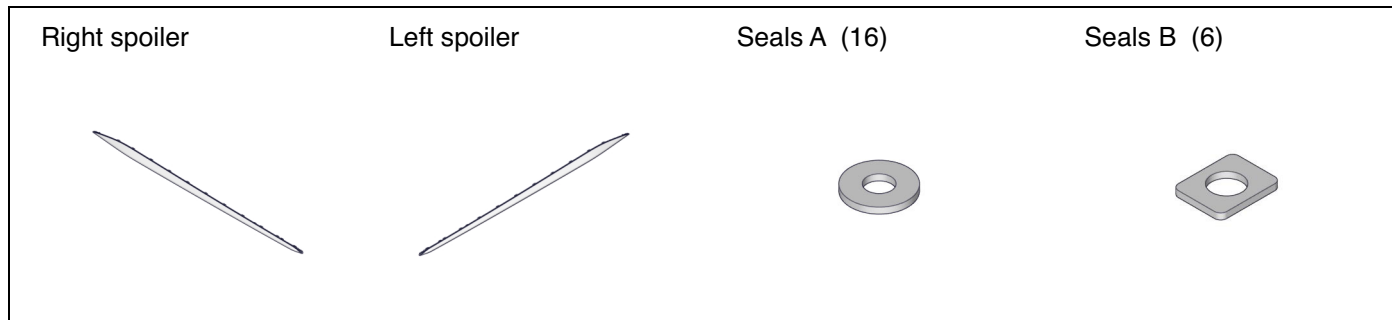
- Follow all safety information and precautions described in the workshop manual in addition to those described in these installation instructions. Most importantly, take extreme care to ensure your own safety and the safety of others.
- Be careful not to damage the vehicle and the parts.
- Be extremely careful when you handle the retaining tabs and clips.
- Note the locations of the parts before removing them so that they can be reinstalled in their original positions properly.
- The illustrations may differ a little from the actual accessories for the design change of the vehicle.

Safety: For the Accessory

- **Always use the parts and tools specified in the installation instructions.**

PARTS LIST

Side Under-Spoiler Kit



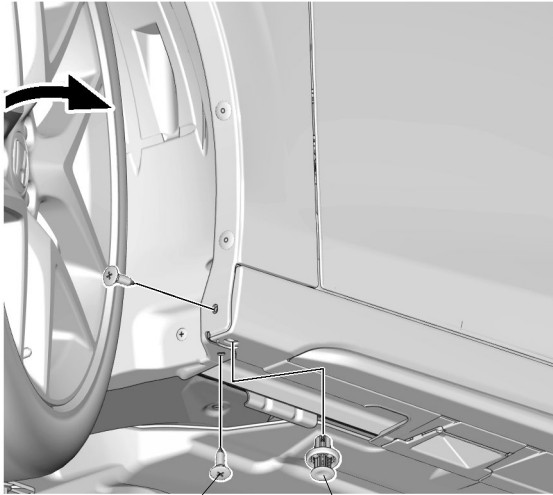
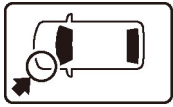
TOOLS AND SUPPLIES REQUIRED

- Phillips screwdriver
- Stubby Phillips screwdriver
- Blanket
- Nippers
- Handy remover

INSTALLATION

Removing the Vehicle Parts

1. Turn the steering wheel fully anti-clockwise.
2. Remove the self-tapping screws and clip.

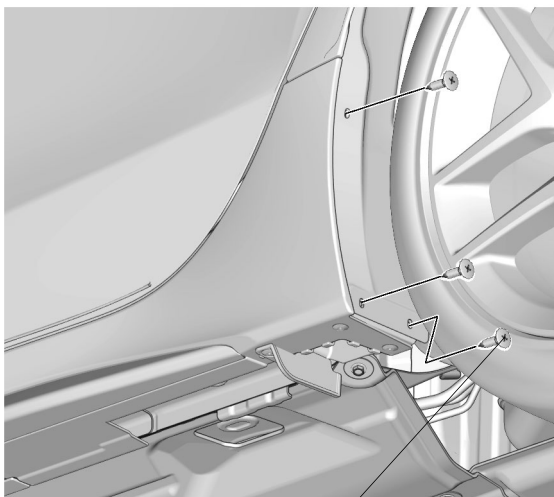
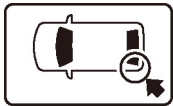


2 SELF-TAPPING SCREWS

CLIP

QL00302AT

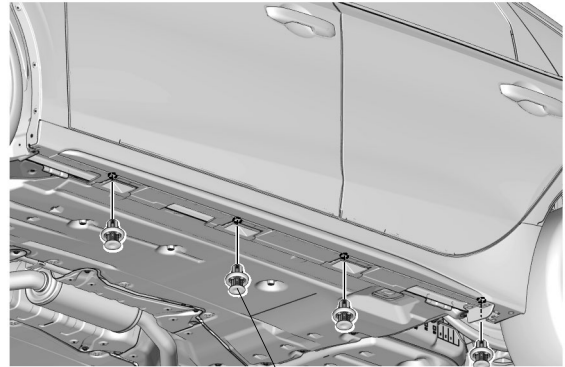
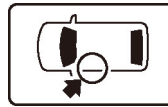
3. Remove the self-tapping screws.



3 SELF-TAPPING SCREWS

QL00303AT

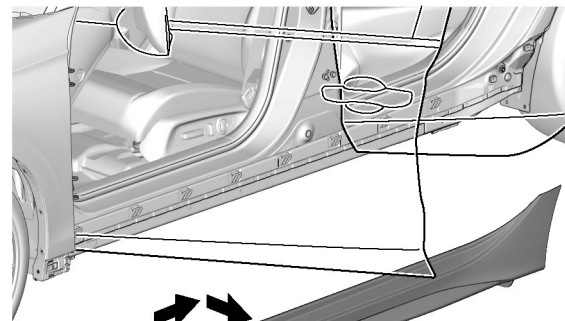
4. Remove the clips.



4 CLIPS

QL00304AT

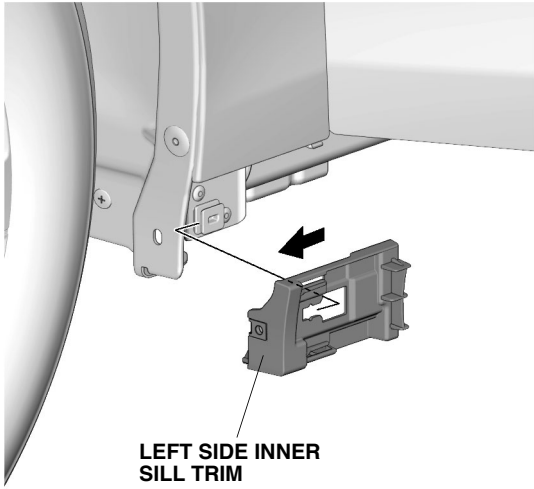
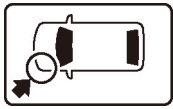
5. Remove the left side sill trim.



LEFT SIDE SILL TRIM
(Slide rearwards and remove)

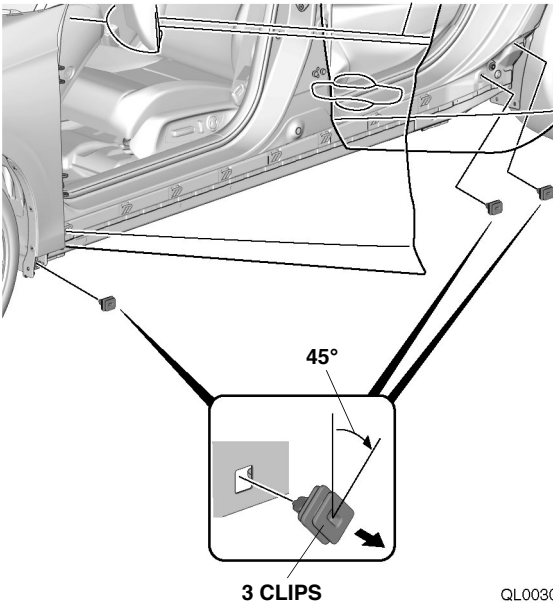
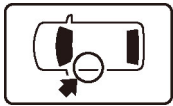
QL00305AT

6. Remove the left side inner sill trim.



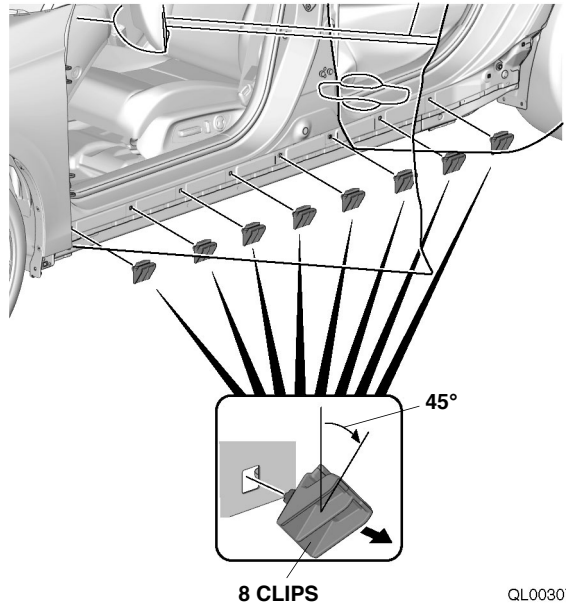
QK50105AT

7. Remove the clips.



QL00306AT

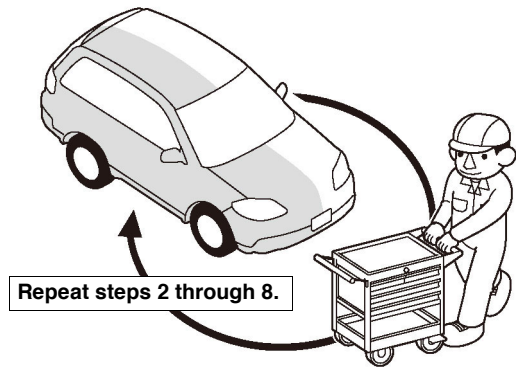
8. Remove the clips.



QL00307AT

9. Turn the steering wheel fully clockwise.

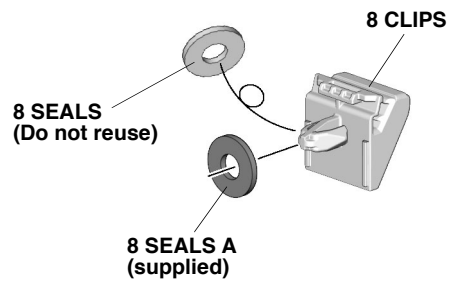
10. Repeat the same procedures on the other side.



Q9D1014AM

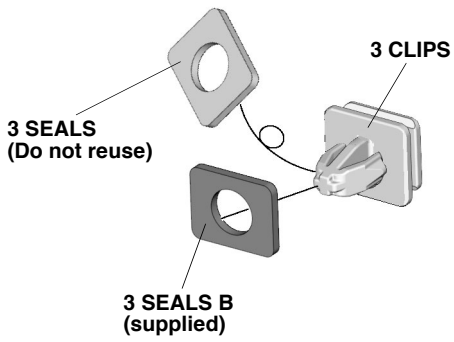
Installing the Spoilers

11. Replace seals A.



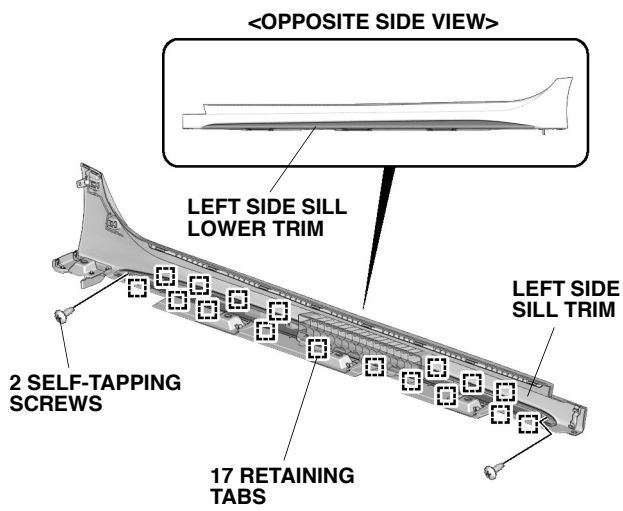
QK50108AT

12. Replace seals B.



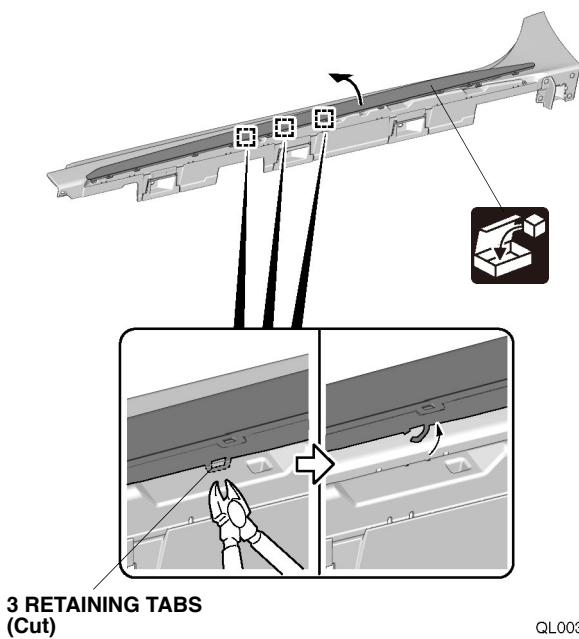
QK50125AT

13. Release the left side lower sill trim.



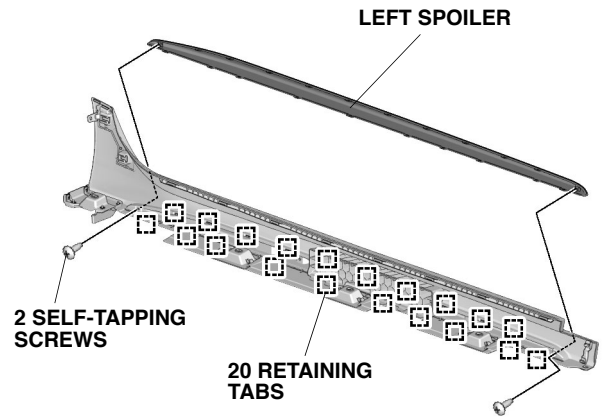
QL00310AT

14. Remove the left side lower sill trim.



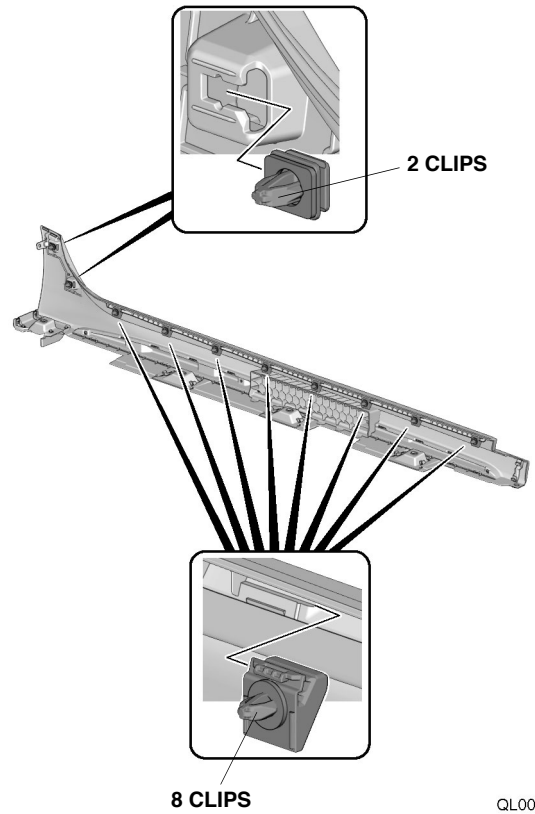
QL00311AT

15. Install the left spoiler.



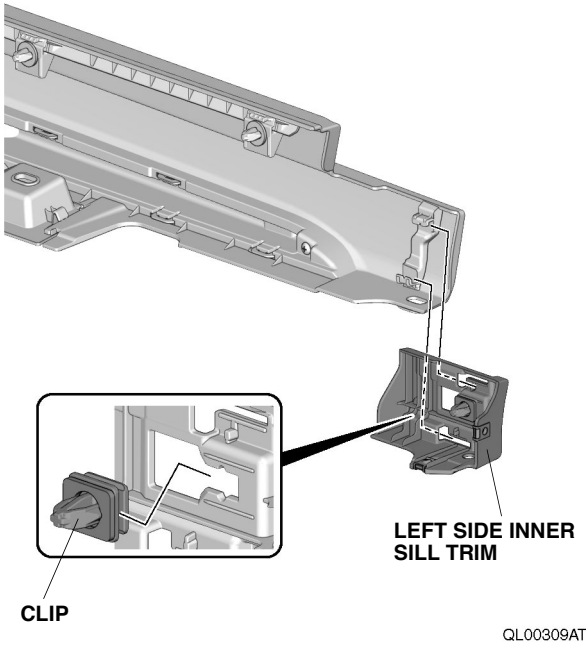
QL00312AT

16. Install the clips.

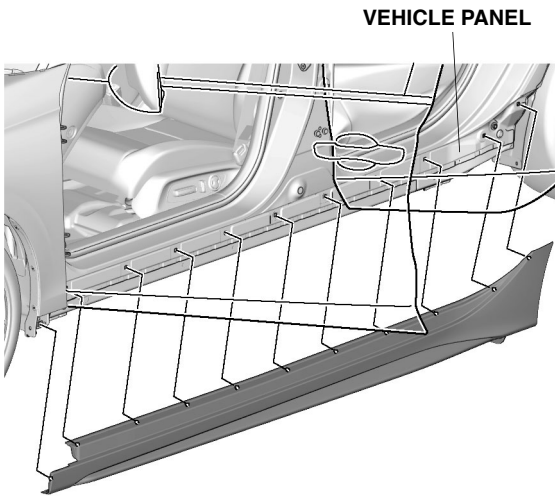


QL00308AT

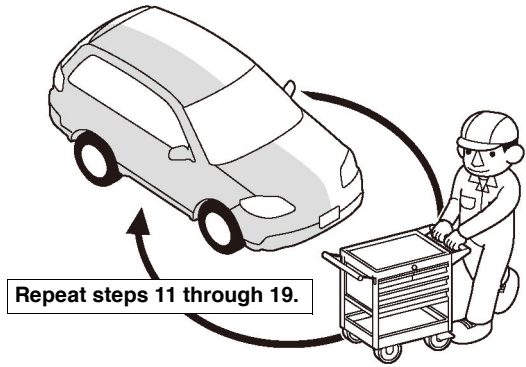
17. Install the clips.
18. Install the left side inner sill trim.



19. Install the left side sill trim.



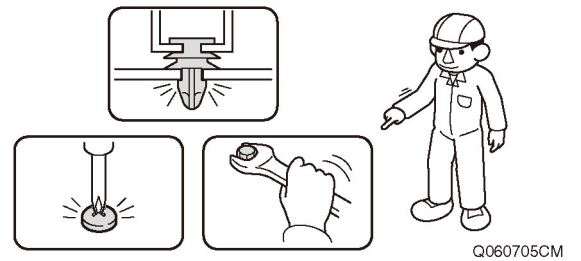
20. Repeat the same procedures on the other side.



Q9D1014AM

Check After Installation

21. Check that all parts are installed properly.



Reinstalling the All Removed Parts

22. Reinstall all removed parts.

NOTICE
<ul style="list-style-type: none"> • Be extremely careful not to damage the vehicle parts, and secure the clips and the retaining tabs properly to avoid separation.

