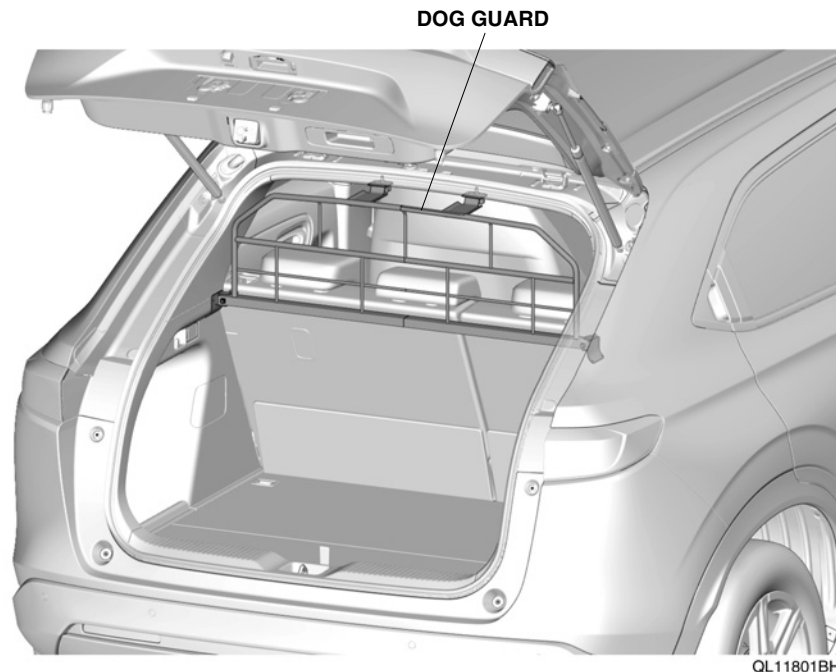


DOG GUARD

HR-V

GENERAL VIEW



FOR YOUR SAFETY (Read carefully)

Introduction of Symbol Messages

- These symbols warn you about the possible hazards and explain how to avoid them. And give you some advices.

⚠ DANGER

You will be killed or seriously hurt if you do not follow the instructions.

⚠ WARNING

You can be killed or seriously hurt if you do not follow the instructions.

⚠ CAUTION

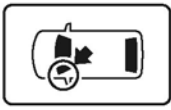
You can be hurt if you do not follow the instructions.

NOTICEGives advice to prevent damage to the product.
Gives helpful information or instructions to be followed in using the product.

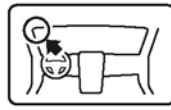
Indicates prohibited actions.

Introduction of Icons

- These icons indicate the working place and the worker's vision.



The place for the vehicle.



The place for the instrument panel.

- These icons indicate the necessary things for your safety and the work.



Wear eye protection.



Wear heavy gloves.



Work with an assistant.



Place the part on a blanket.



Remove any burrs.



Use the touch-up paint and dry.



Keep the parts and give it to the customer.
(Not use)



Press firmly.



Tighten by specified torque.



Work perpendicularly.



Clean with the contact cleaner.

Safety: General

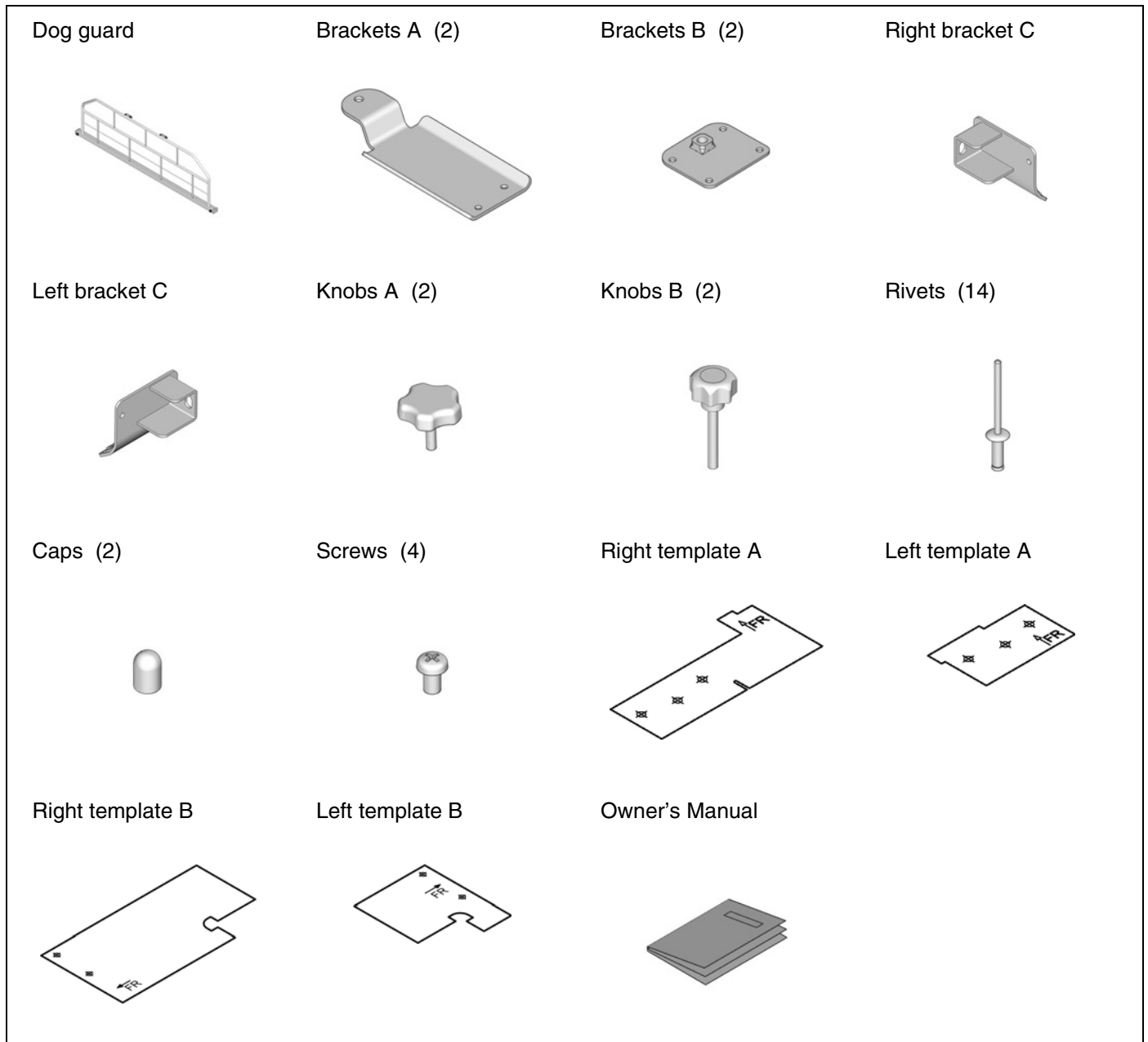
- Observe all safety notes and precautions described in the Shop Manual in addition to those described in this Installation Instructions. Be extremely careful for your safety and safety of others particularly.
- Be careful not to damage the vehicle and the parts.
- Be extremely careful to the handling of the retaining tabs and clips particularly.
- Note the locations of the parts before removing them so that they can be reinstalled in their original positions properly.
- The illustrations may differ a little from the actual accessories for the design change of the vehicle.

Safety: For the Accessory

- **Always use the parts and tools specified in the installation instructions.**

PARTS LIST

Dog Guard Kit



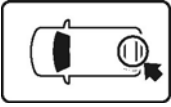
TOOLS AND SUPPLIES REQUIRED

- Phillips screwdriver
- Masking tape
- Tape
- 4 mm Drill bit
- Hand riveter
- Ruler
- Ratchet
- File
- Pushpin
- Utility knife
- Torque wrench
- Eye protection (face shield, safety goggles, etc.)
- 14 mm Socket
- Handy remover
- Drill
- 16 mm Hole saw
- 14 mm Open end wrenches

INSTALLATION

Removing the Vehicle Parts

1. Remove the tonneau cover.

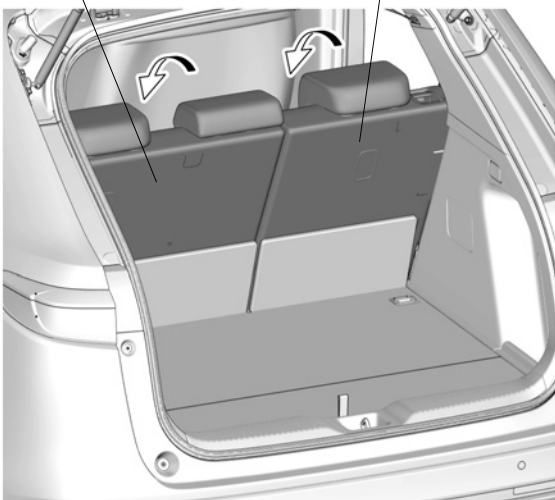


2. Fold down the left and right rear seat-backs.



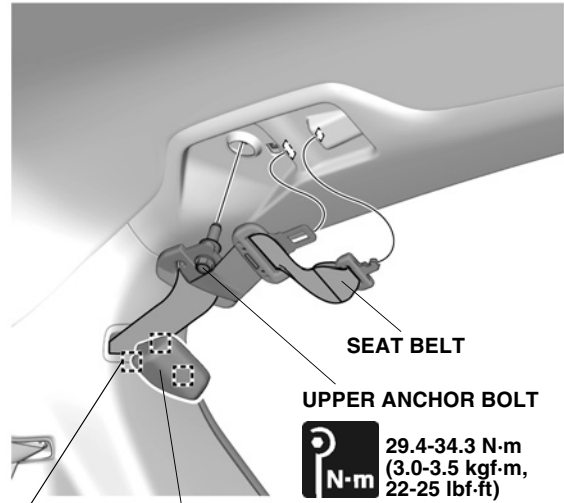
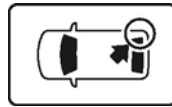
LEFT REAR SEAT-BACK

RIGHT REAR SEAT-BACK



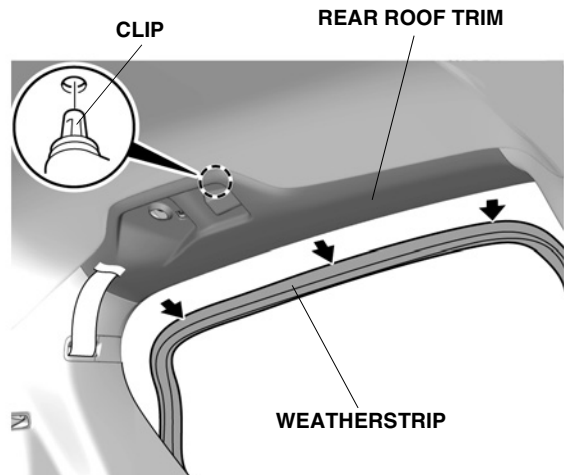
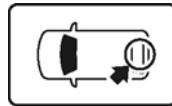
QK70217AU

3. Release the seat belt.



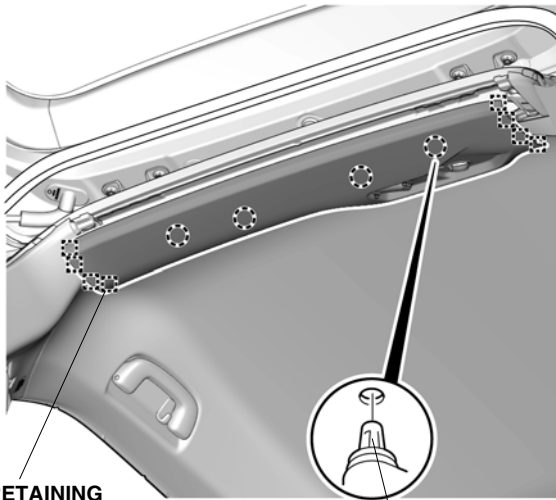
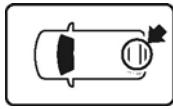
QK92201BU

4. Release the rear roof trim.



QKN0702BU

5. Remove the rear roof trim.



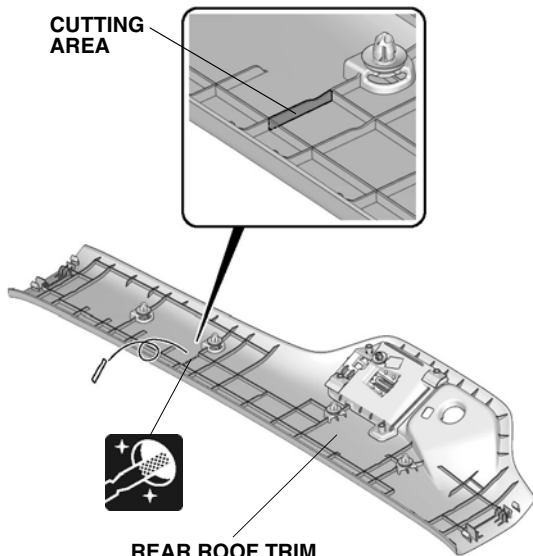
8 RETAINING TABS

4 CLIPS

QK70211CU

Installing the Dog Guard

6. Cut the rear roof trim.

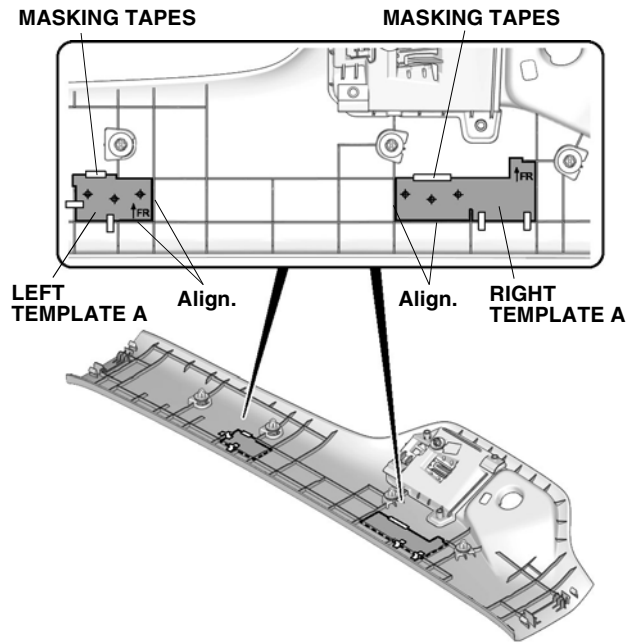


CUTTING AREA

REAR ROOF TRIM (inside)

QL11802BH

7. Attach the left and right templates A.



MASKING TAPES

MASKING TAPES

LEFT TEMPLATE A

Align.

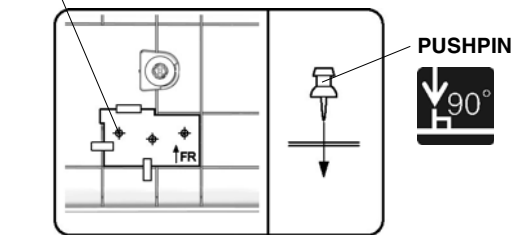
Align.

RIGHT TEMPLATE A

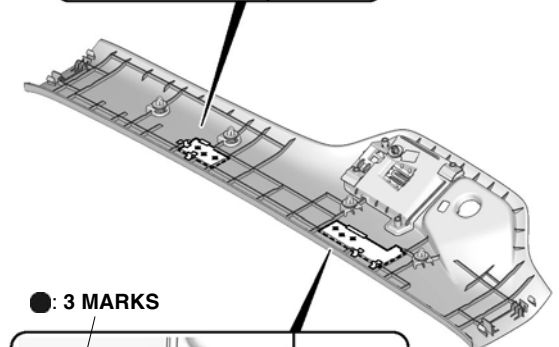
QL11803BH

8. Pierce the rear roof trim.

●: 3 MARKS



PUSHPIN



●: 3 MARKS

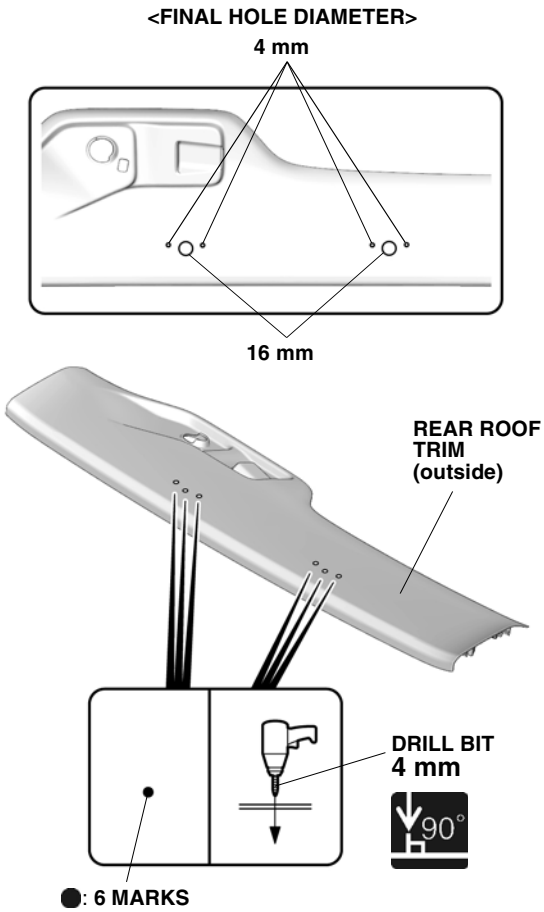
PUSHPIN



QL11804BH

9. Remove the left and right templates A.

10. Drill the rear roof trim.

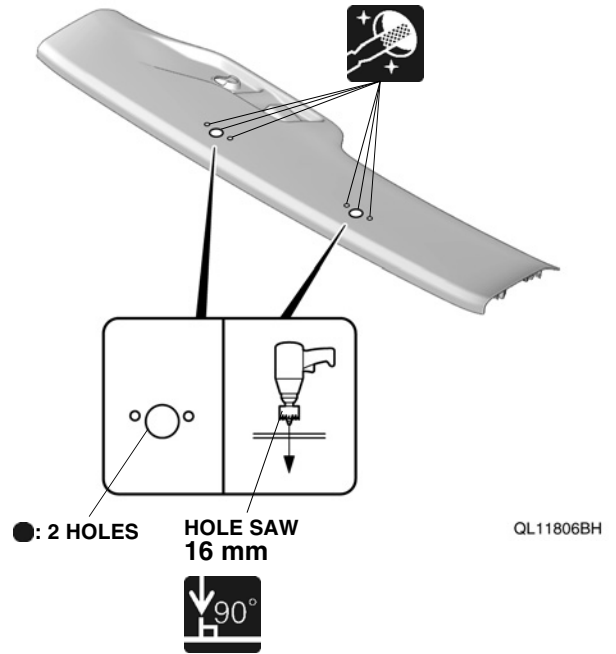


QL11805AH

11. Drill the rear roof trim.

NOTICE

- Make sure to drill the correct position.

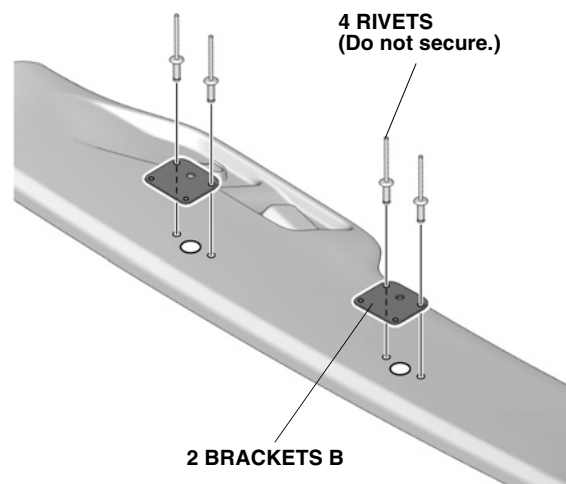


QL11806BH

12. Loosely install the brackets B.

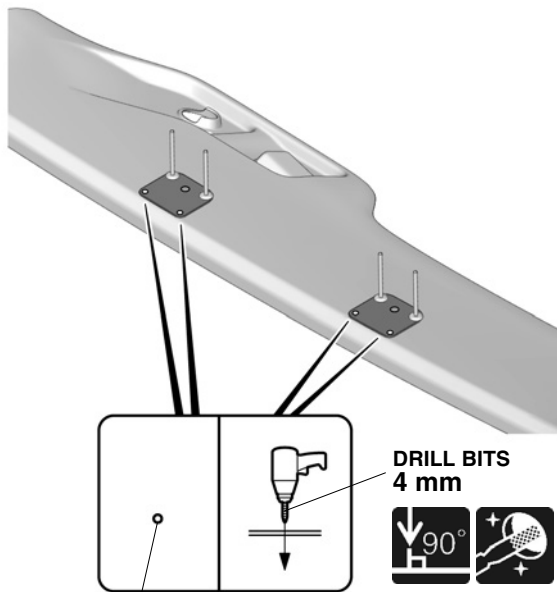
NOTICE

- Make sure to install the bracket in the correct orientation.



QL11807AH

13. Drill the rear roof trim.



●: 4 BRACKET B HOLES

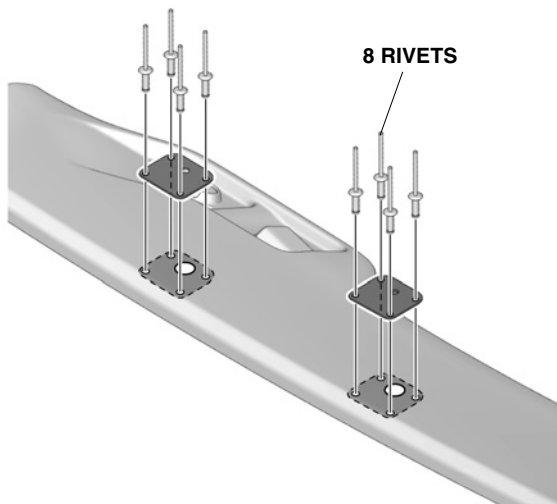
QL11808BH

14. Remove the brackets B.

15. Secure the brackets B.

NOTICE

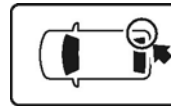
- Make sure to install the bracket in the correct orientation.



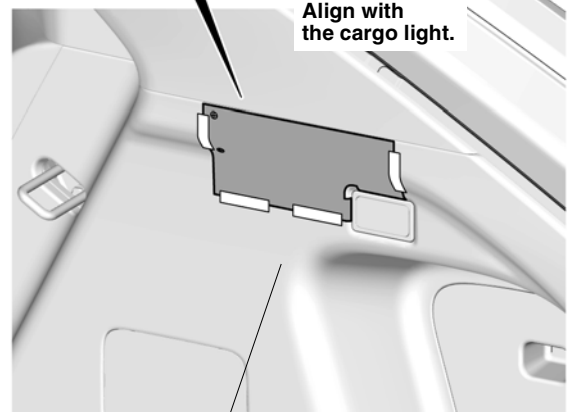
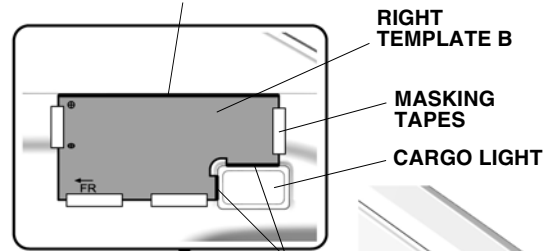
QL11809BH

16. Reinstall the rear roof trim, seat belt and cover.

17. Attach the right template B.



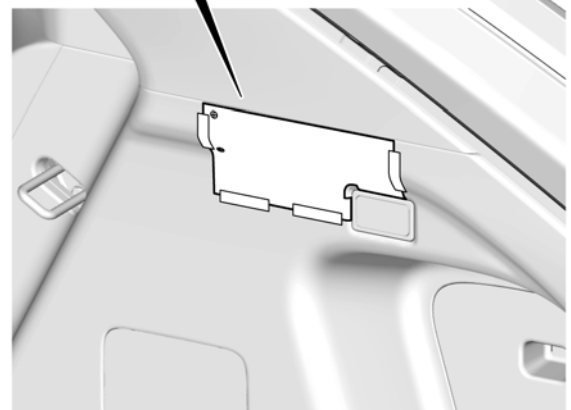
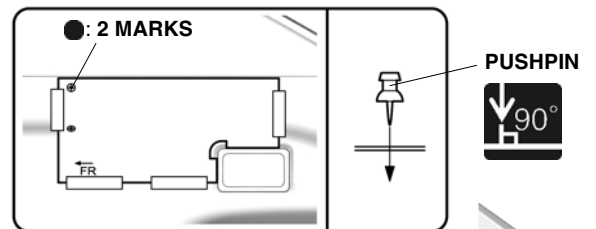
Align with the curved end.



RIGHT REAR SIDE TRIM PANEL

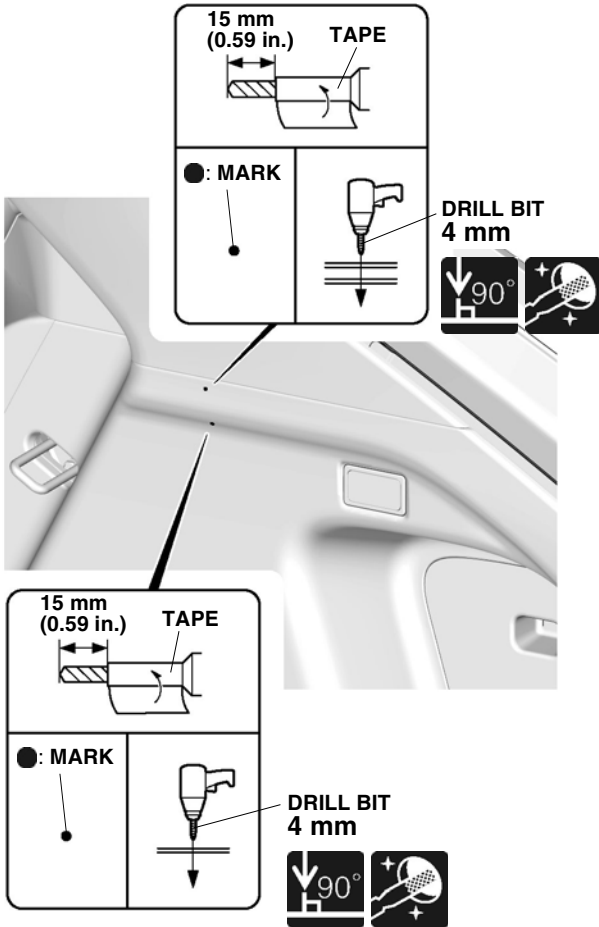
QL11810DH

18. Pierce the right rear side trim panel.



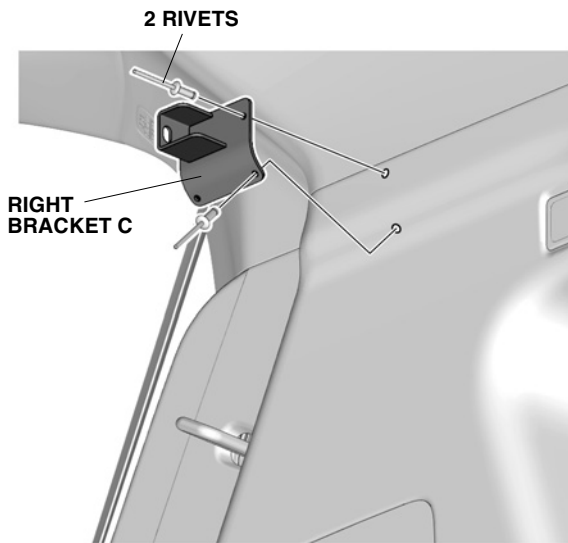
QL11811DH

19. Remove the right template B.
20. Drill the right rear side trim panel.



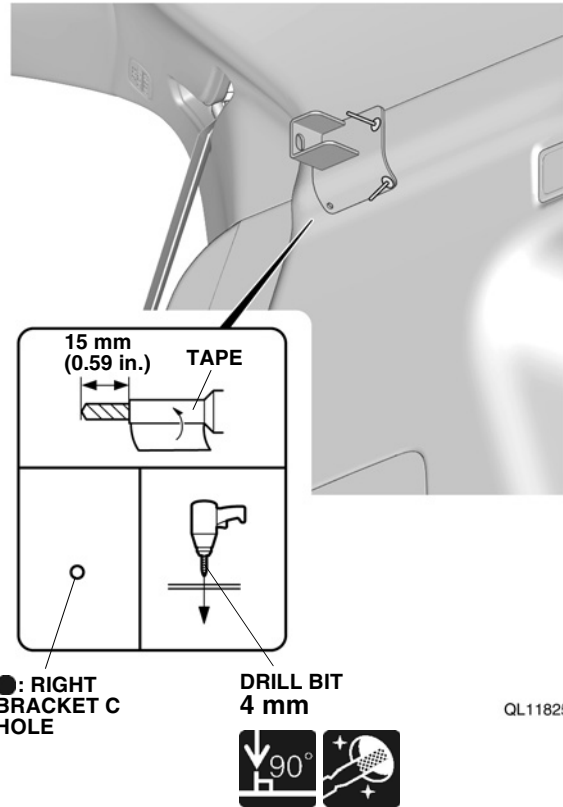
QL11812EH

21. Loosely secure the right bracket C.



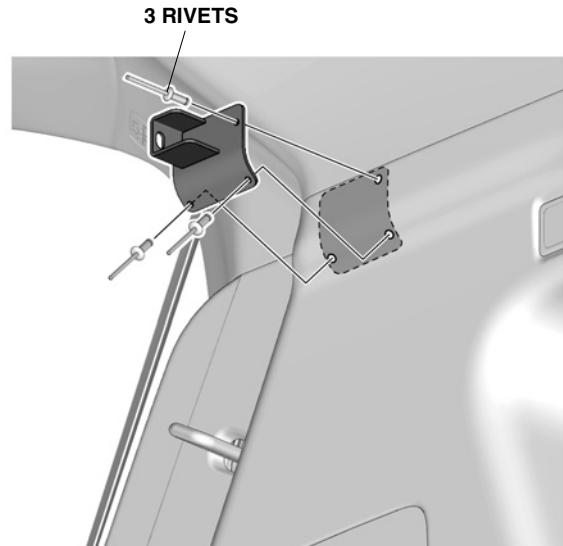
QL11829BH

22. Drill the right rear side trim panel.



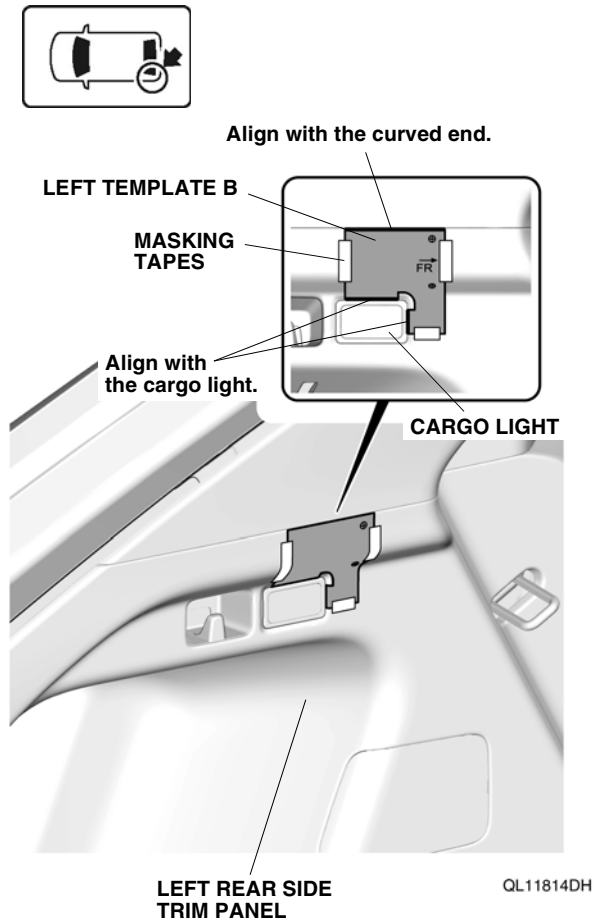
QL11825CH

23. Remove the right bracket C.
24. Secure the right bracket C.

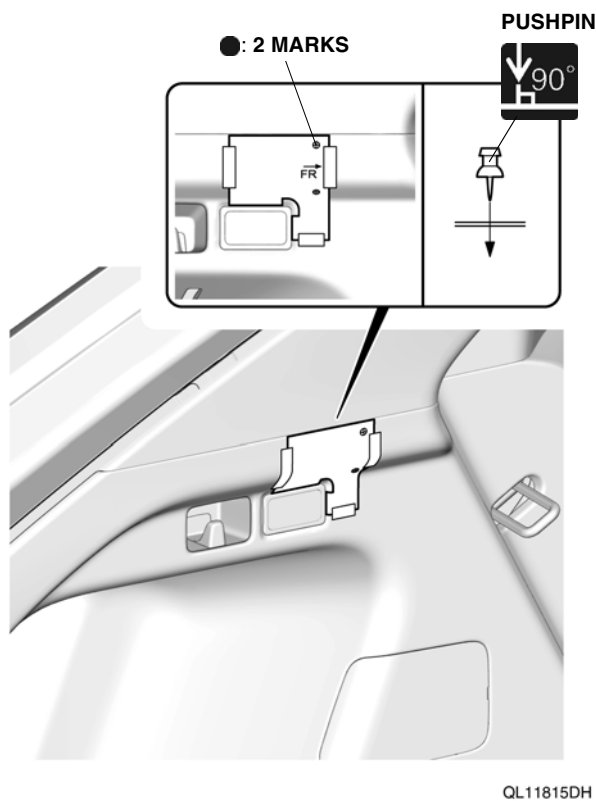


QL11813CH

25. Attach the left template B.

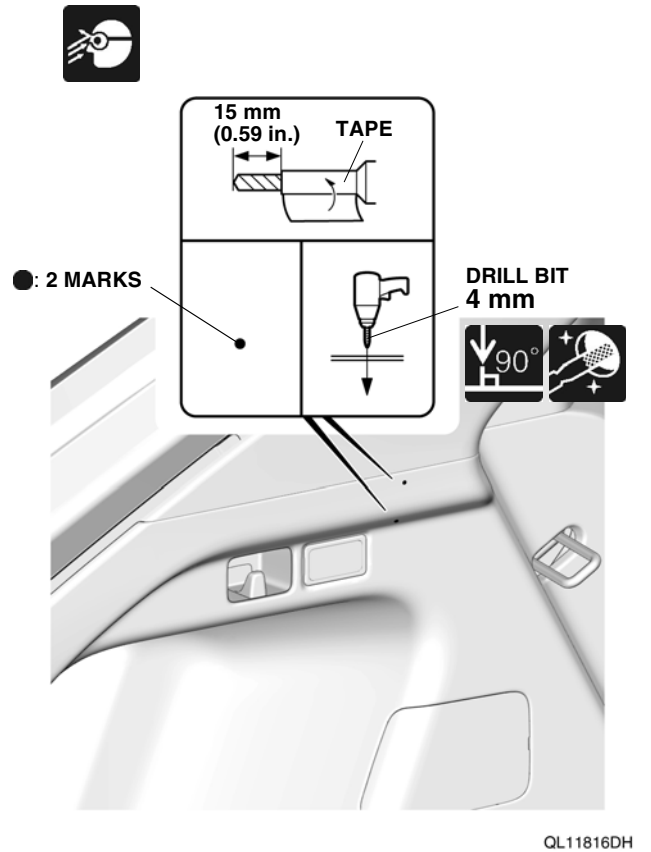


26. Pierce the left rear side trim panel.

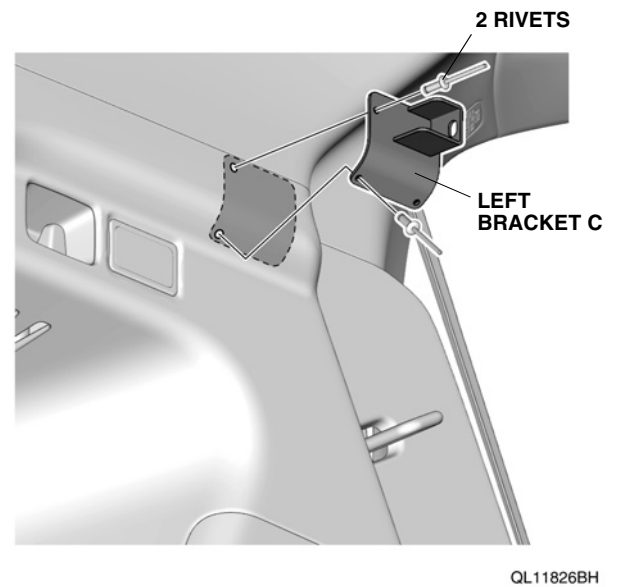


27. Remove the left template B.

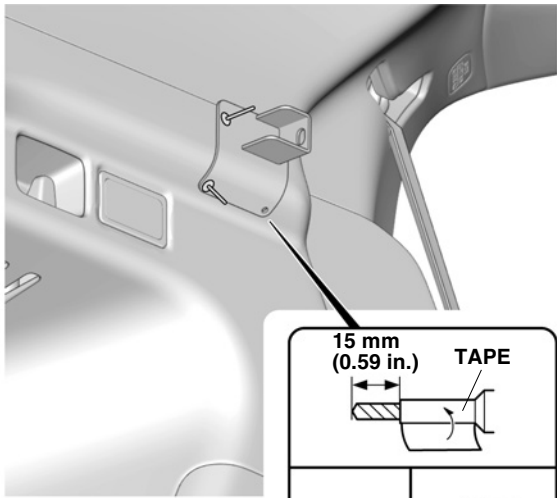
28. Drill the left rear side trim panel.



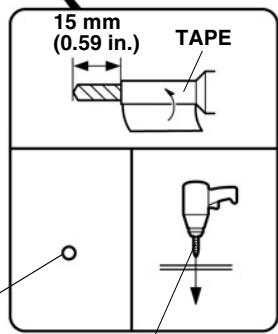
29. Loosely secure the left bracket C.



30. Drill the left rear side trim panel.



●: LEFT BRACKET C HOLE

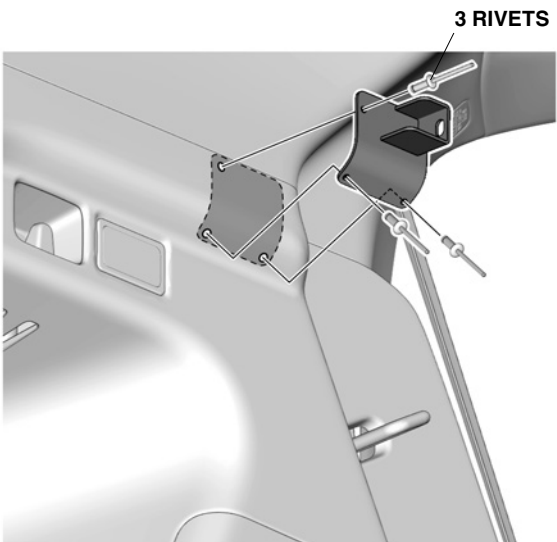


DRILL BIT
4 mm QL11827CH



31. Remove the left bracket C.

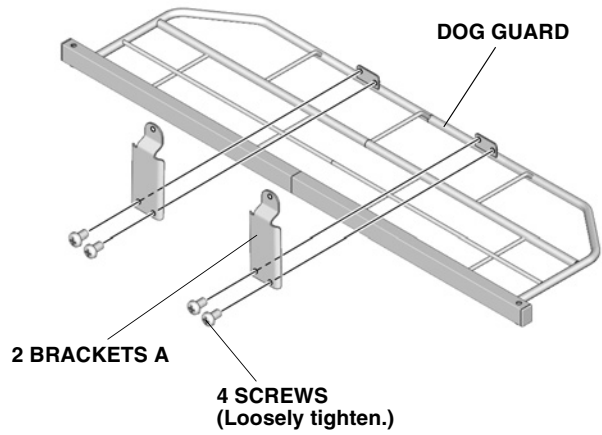
32. Secure the left bracket C.



3 RIVETS

QL11817CH

33. Loosely install the brackets A.

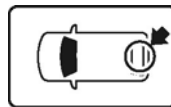


QL11818AH

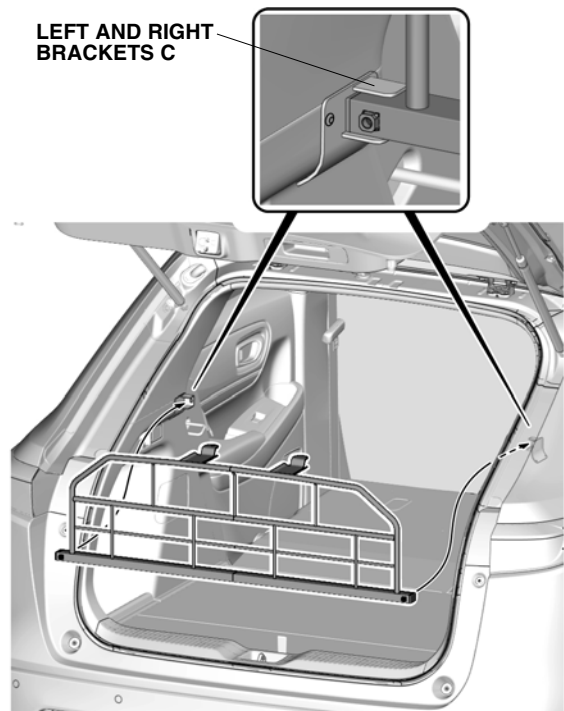
34. Install the dog guard.

NOTICE

- Be careful not to damage the vehicle.

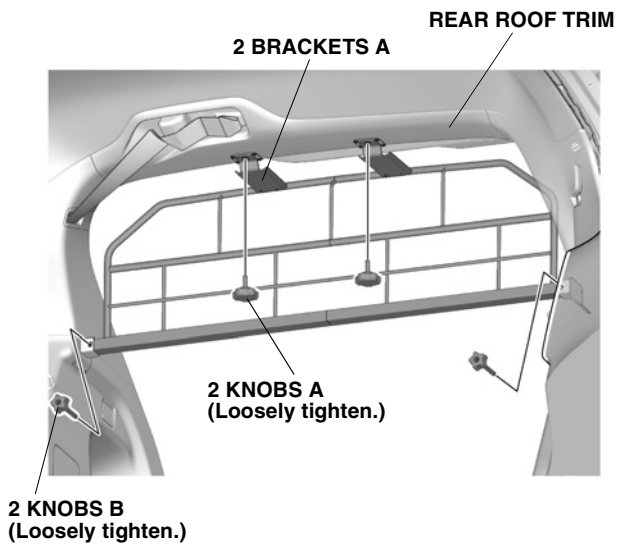
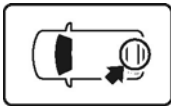


LEFT AND RIGHT BRACKETS C



QL11819BH

35. Loosely secure the dog guard.

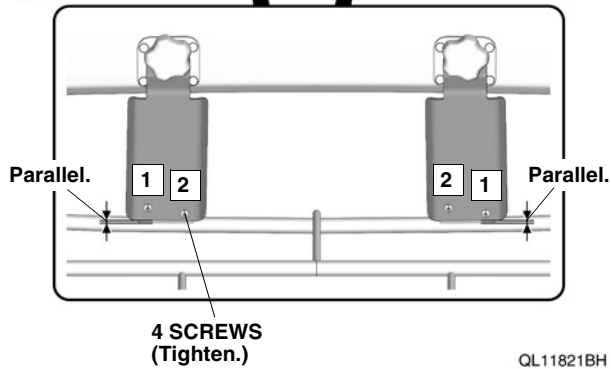
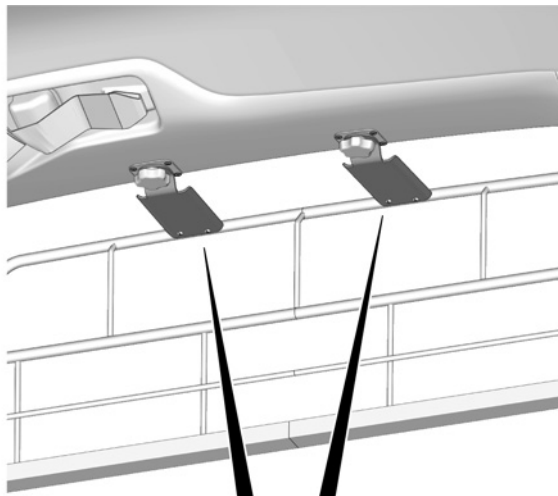


QL11820BH

36. Secure the dog guard.

NOTICE

- Install in the order shown.

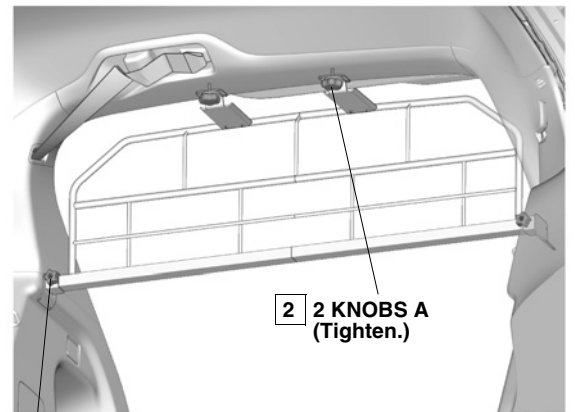


QL11821BH

37. Secure the dog guard.

NOTICE

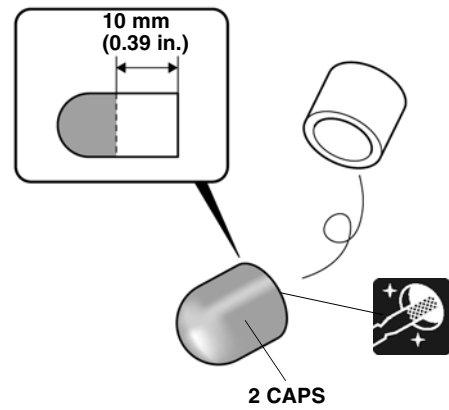
- Install in the order shown.



1 2 KNOBS B (Tighten.)

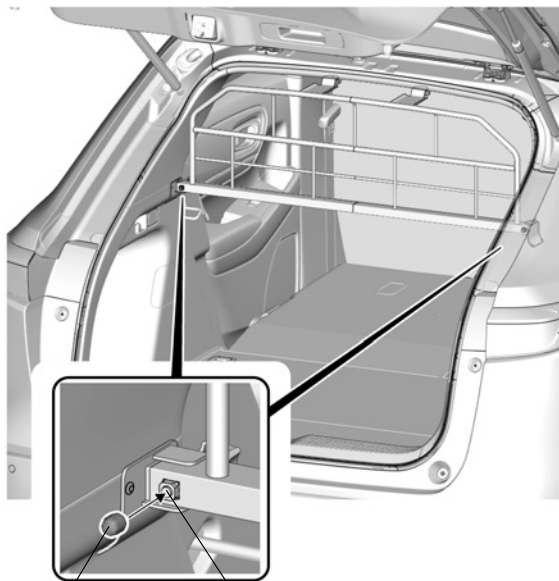
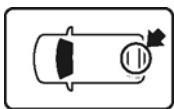
QL11822BH

38. Cut the caps.



QL11828AH

39. Install the caps.



2 CAPS

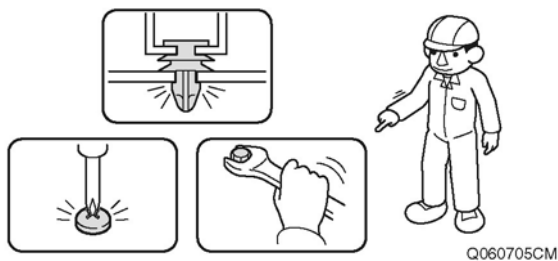
2 KNOBS B

QL11823BH

40. Raise the left and right rear seat-backs.

Check After Installation

41. Check that all parts are installed properly.



Please pass your customer the following things.

- Owner's Manual