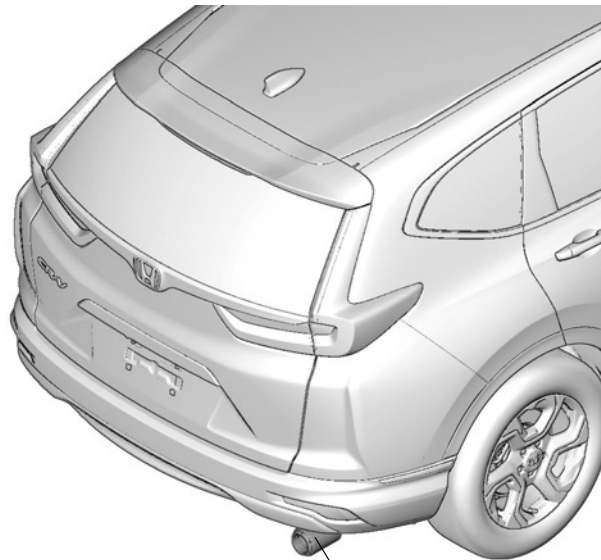


EXHAUST PIPE FINISHER

CR-V

GENERAL VIEW

EXHAUST PIPE
FINISHER

QH10902AN

FOR YOUR SAFETY (Read carefully)

Introduction of Symbol Messages

- These symbols warn you about the possible hazards and explain how to avoid them. And give you some advices.

⚠ DANGER

You will be killed or seriously hurt if you do not follow the instructions.

⚠ WARNING

You can be killed or seriously hurt if you do not follow the instructions.

⚠ CAUTION

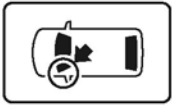
You can be hurt if you do not follow the instructions.

NOTICEGives advice to prevent damage to the product.
Gives helpful information or instructions to be followed in using the product.

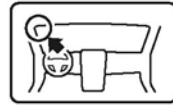
Indicates prohibited actions.

Introduction of Icons

- These icons indicate the working place and the worker's vision.



The place for the vehicle.



The place for the instrument panel.

- These icons indicate the necessary things for your safety and the work.



Wear eye protection.



Wear heavy gloves.



Work with an assistant.



Place the part on a blanket.



Remove any burrs.



Use the touch-up paint and dry.



Keep the parts and give it to the customer.
(Not use)



Press firmly.



Tighten by specified torque.



Work perpendicularly.



Clean with the contact cleaner.

Safety: General

- Observe all safety notes and precautions described in the Shop Manual in addition to those described in this Installation Instructions. Be extremely careful for your safety and safety of others particularly.
- Be careful not to damage the vehicle and the parts.
- The illustrations may differ a little from the actual accessories for the design change of the vehicle.

Safety: For the Accessory

- This accessory is designed to be used exclusively on this model. It cannot be installed on the other models.
- Always use the parts and tools specified in the installation instructions.
- Allow the exhaust pipe to cool down before installing the accessory.

PARTS LIST

Exhaust Pipe Finisher Kit

Exhaust pipe finisher



Flange bolt



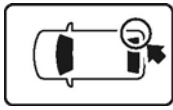
TOOLS AND SUPPLIES REQUIRED

- Ratchet
- 10 mm Socket
- Torque wrench

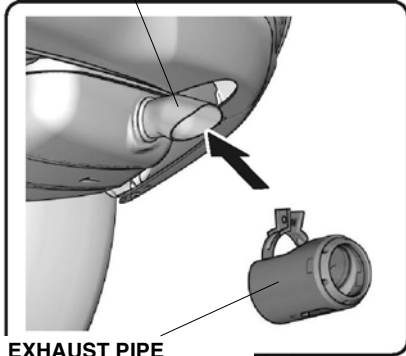
INSTALLATION

Installing the Exhaust Pipe Finisher

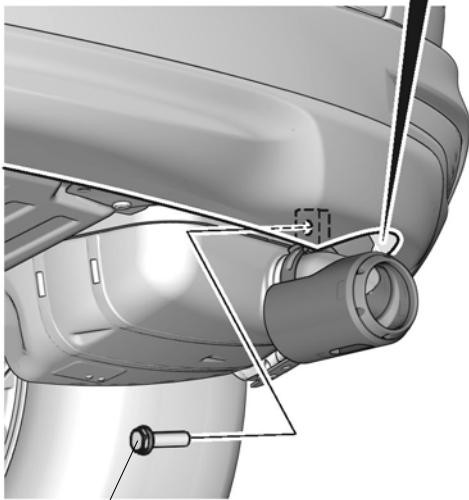
1. Loosely install the exhaust pipe finisher.



EXHAUST PIPE



EXHAUST PIPE FINISHER
(Push in until it stops.)



FLANGE BOLT
(Loosely install.)

QH61901AA

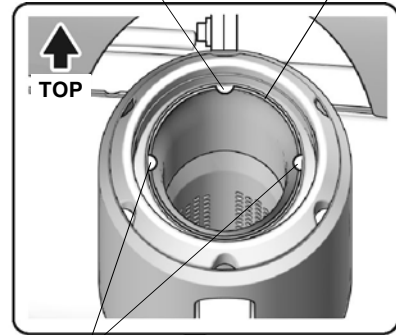
2. Secure the exhaust pipe finisher.

NOTICE

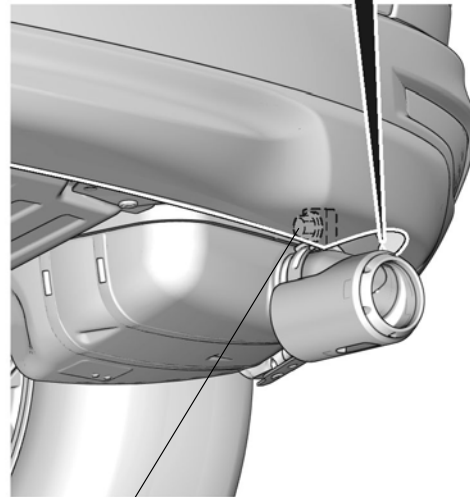
- Do not deform the exhaust pipe finisher.

PROJECTION
(Align the projection with the center of the exhaust pipe.)

Center the exhaust pipe.



2 PROJECTIONS



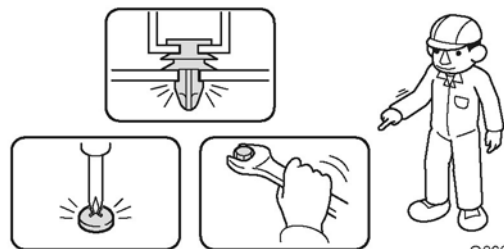
FLANGE BOLT

QH61902AA

 9.8 N·m
(1.0 kgf·m,
7.2 lbf·ft)

Check After Installation

3. Check that all parts are installed properly.



Q060705CM

4. After installing the exhaust pipe finisher, start the engine and check for loose installation and abnormal noise.

Please give your customer a copy of this page.

Use and Care

Wax the exhaust pipe finisher using Car Wax Hard (Honda genuine accessory). Never use a wax that contains abrasive material as it may scratch the surface.