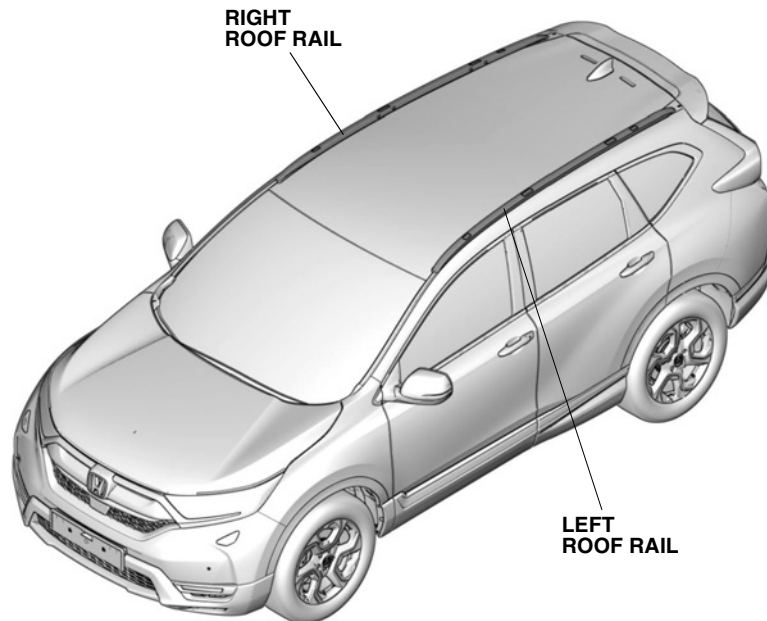


ROOF RAILS

CR-V

GENERAL VIEW



QGD1802AA

FOR YOUR SAFETY (Read carefully)

Introduction of Symbol Messages

- These symbols warn you about the possible hazards and explain how to avoid them. And give you some advices.

⚠ DANGER

You will be killed or seriously hurt if you do not follow the instructions.

⚠ WARNING

You can be killed or seriously hurt if you do not follow the instructions.

⚠ CAUTION

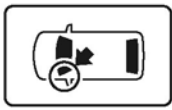
You can be hurt if you do not follow the instructions.

NOTICEGives advice to prevent damage to the product.
Gives helpful information or instructions to be followed in using the product.

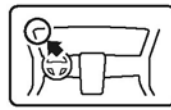
Indicates prohibited actions.

Introduction of Icons

- These icons indicate the working place and the worker's vision.



The place for the vehicle.



The place for the instrument panel.

- These icons indicate the necessary things for your safety and the work.



Wear eye protection.



Wear heavy gloves.



Work with an assistant.



Place the part on a blanket.



Remove any burrs.



Use the touch-up paint and dry.



Keep the parts and give it to the customer.
(Not use)



Press firmly.



Tighten by specified torque.



Work perpendicularly.



Clean with the contact cleaner.

Safety: General

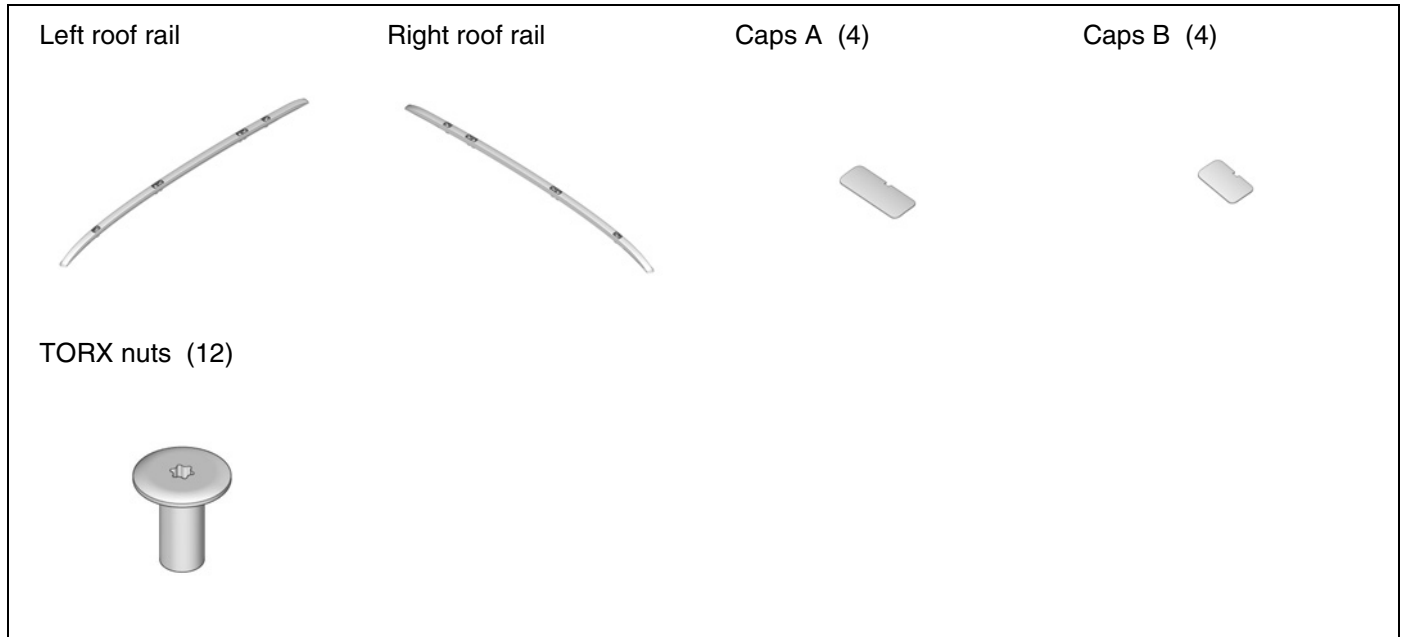
- Observe all safety notes and precautions described in the Shop Manual in addition to those described in this Installation Instructions. Be extremely careful for your safety and safety of others particularly.
- Be careful not to damage the vehicle and the parts.
- Be extremely careful to the handling of the retaining tabs and clips particularly.
- Note the locations of the parts before removing them so that they can be reinstalled in their original positions properly.
- The illustrations may differ a little from the actual accessories for the design change of the vehicle.

Safety: For the Accessory

- Always use the parts and tools specified in the installation instructions.

PARTS LIST

Roof Rails Kit



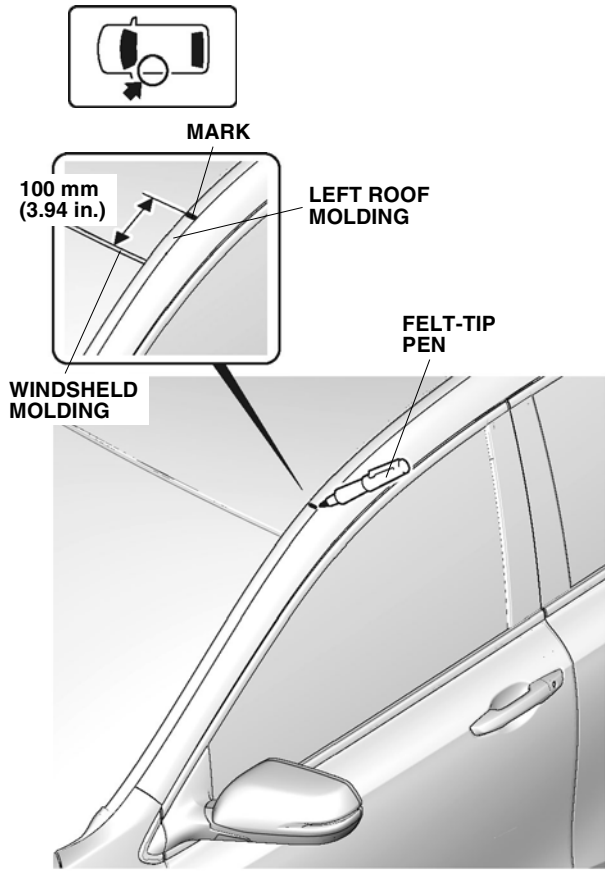
TOOLS AND SUPPLIES REQUIRED

- Torque wrench
- Handy remover
- Felt-tip pen
- Approx. 120 mm height empty cardboard box
- Ruler
- Hacksaw
- File
- Eye protection (face shield, safety goggles, etc.)
- T-30 TORX bit
- Flat-tip screwdriver
- Blanket

INSTALLATION

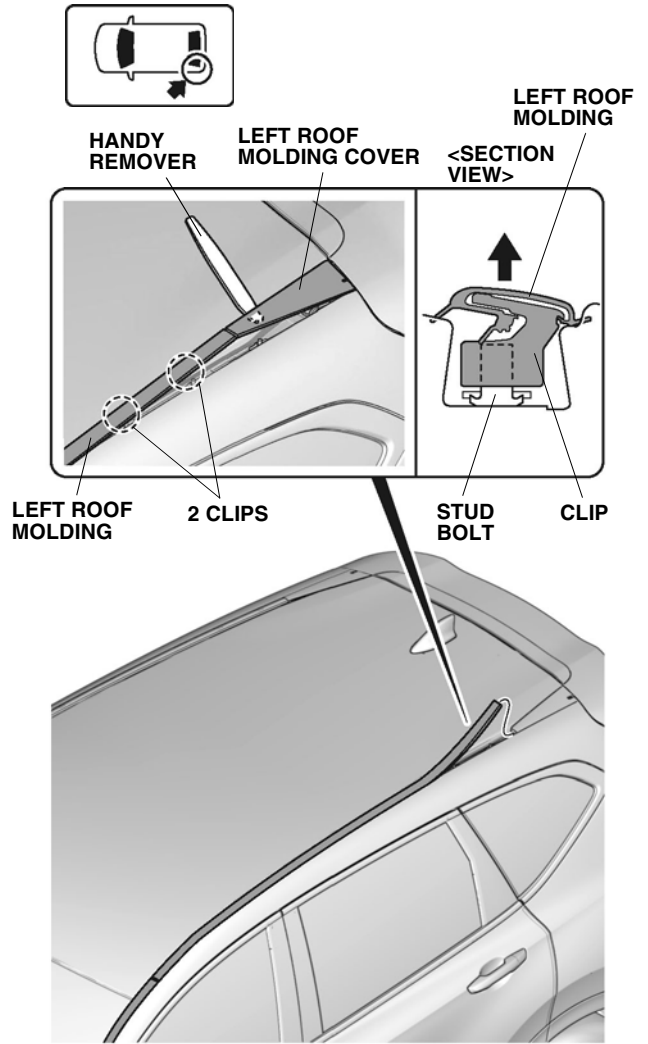
Installing the Roof Rails

1. Mark the left roof molding.



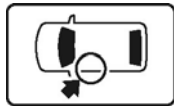
QF20302AN

2. Release the left roof molding cover.
3. Reinstall the left roof molding cover.

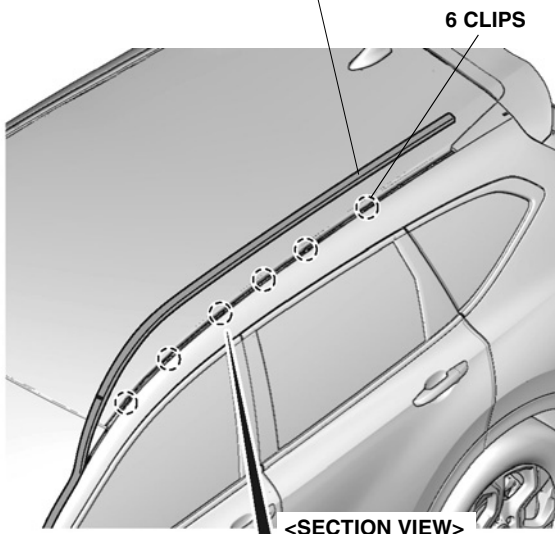


QH40901AC

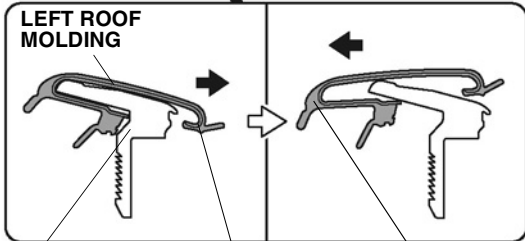
4. Release the left roof molding.



LEFT ROOF MOLDING
(Remove the clips from the rear of the vehicle one by one.)



6 CLIPS



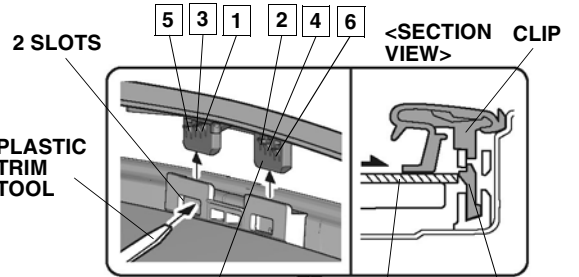
CLIP

LOCKING TAB
(Pull toward outside of the vehicle.)

Press toward inside of the vehicle.

QH40902AC

5. Release the left roof molding.

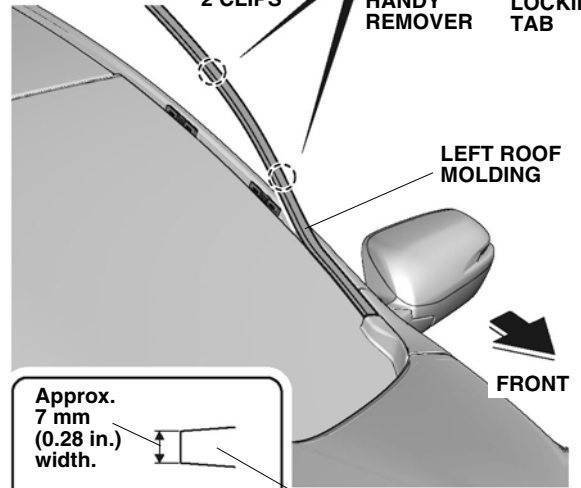


2 SLOTS
PLASTIC TRIM TOOL

2 CLIPS

HANDY REMOVER

LOCKING TAB



LEFT ROOF MOLDING

FRONT

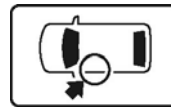
Approx. 7 mm (0.28 in.) width.

Approx. 1 mm (0.04 in.) thickness.

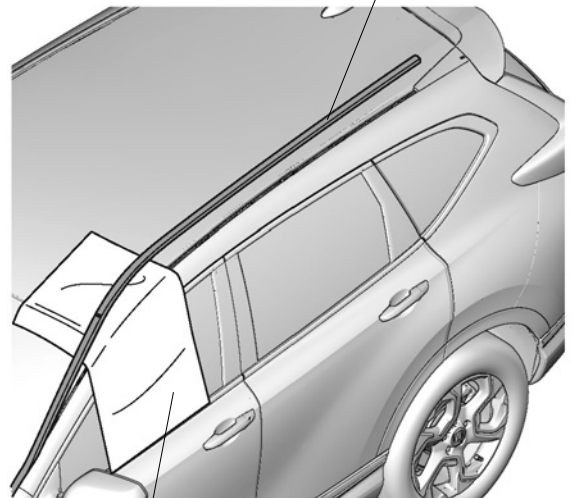
HANDY REMOVER

QF20305AN

6. Place the blanket.



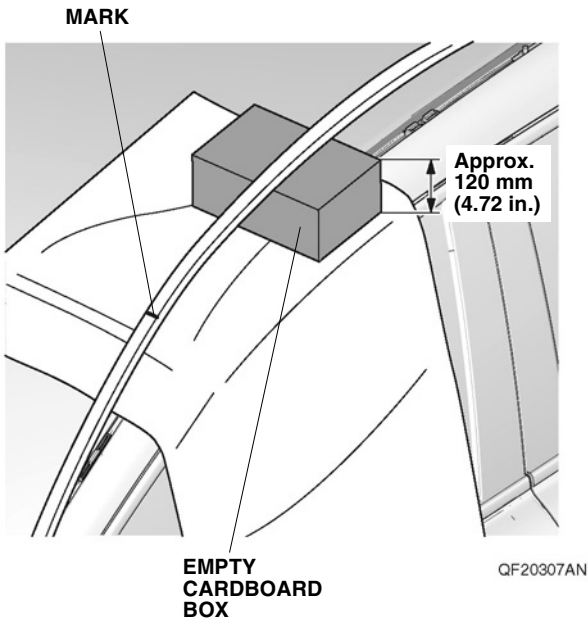
LEFT ROOF MOLDING



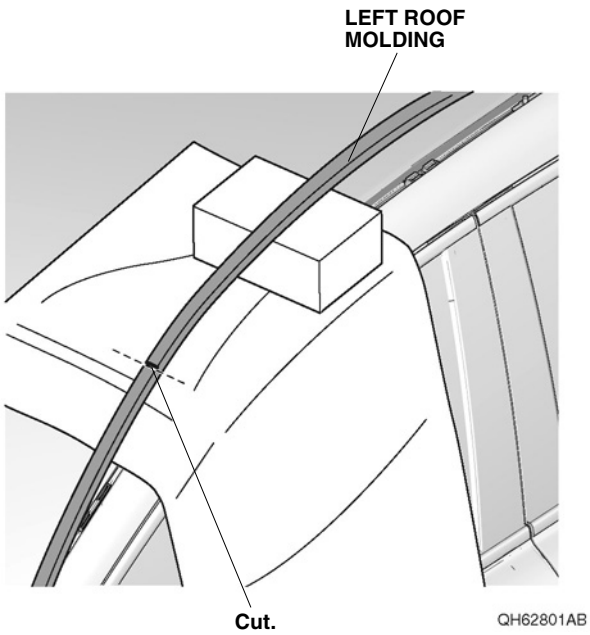
BLANKET

QG72502AN

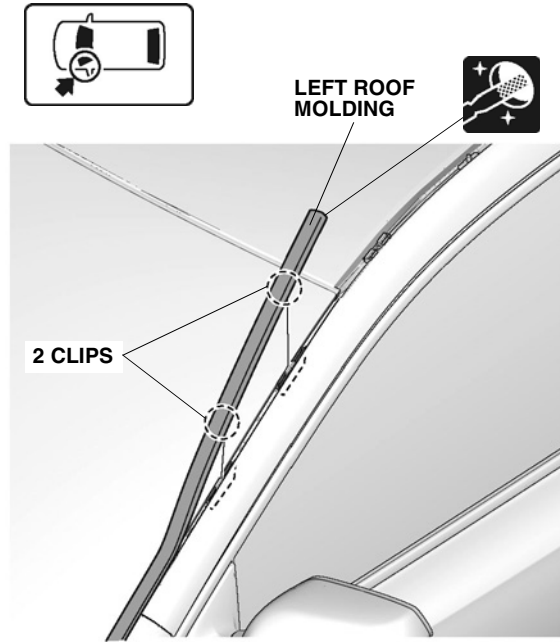
- Place the empty cardboard box.



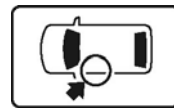
- Cut the left roof molding.
- Remove the empty cardboard box and blanket.



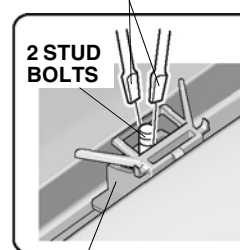
- Reinstall the left roof molding.



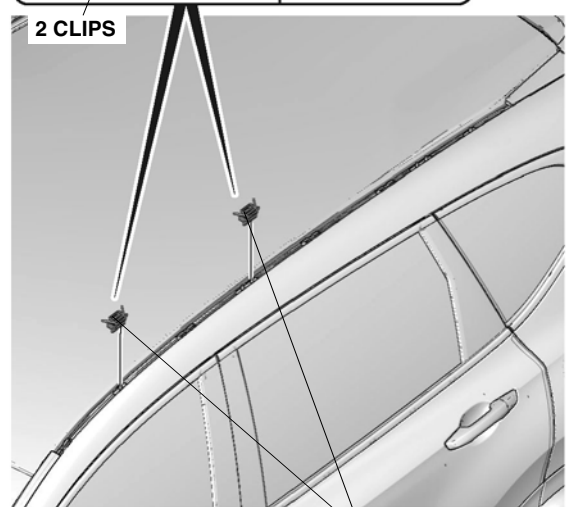
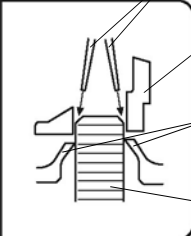
- Remove the clips.



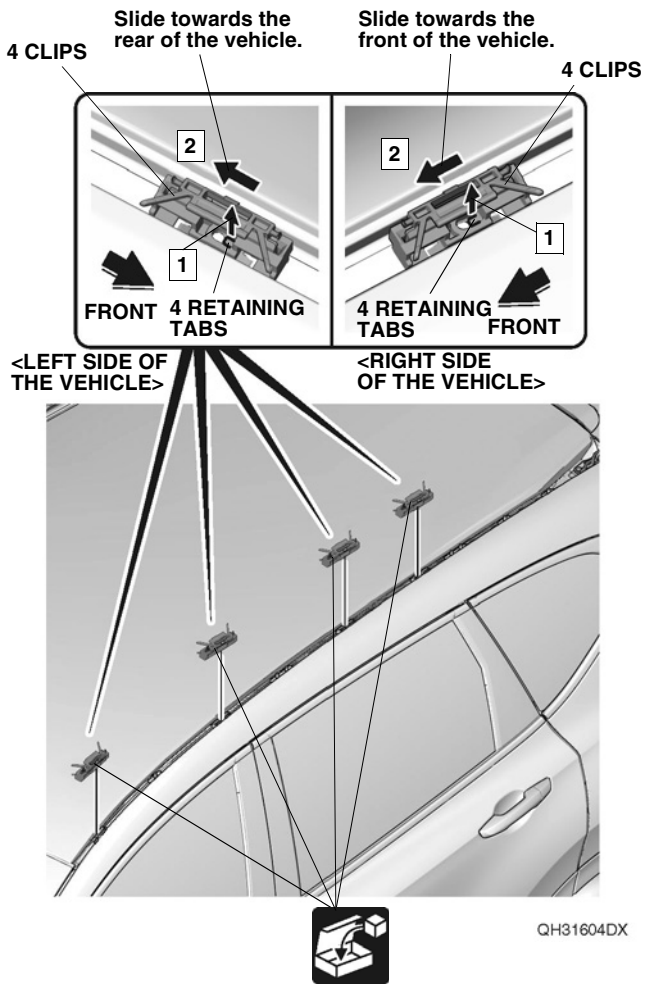
FLAT-TIP SCREWDRIVERS
(Alternately insert to release the locking tab.)



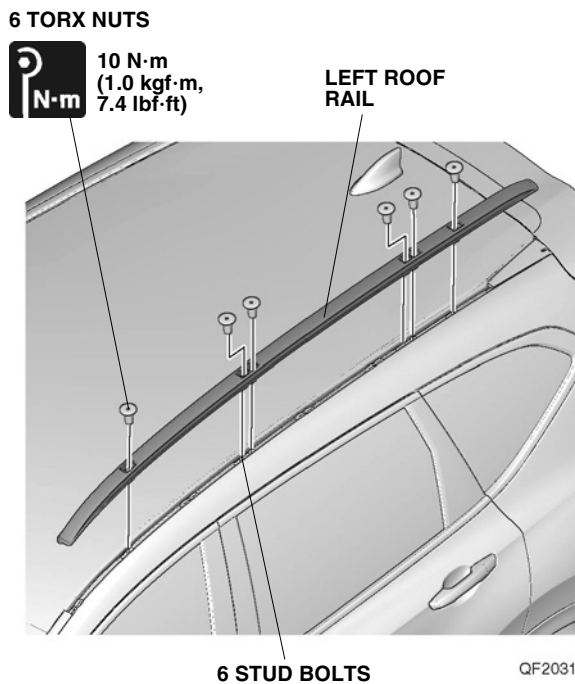
FLAT-TIP SCREWDRIVERS
<SECTION VIEW>



12. Remove four clips.



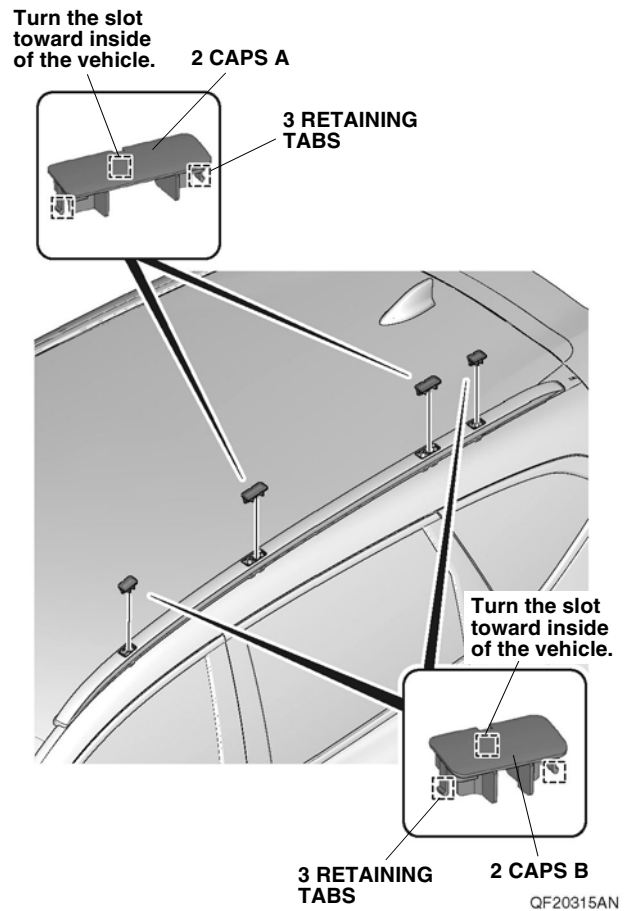
13. Install the left roof rail.



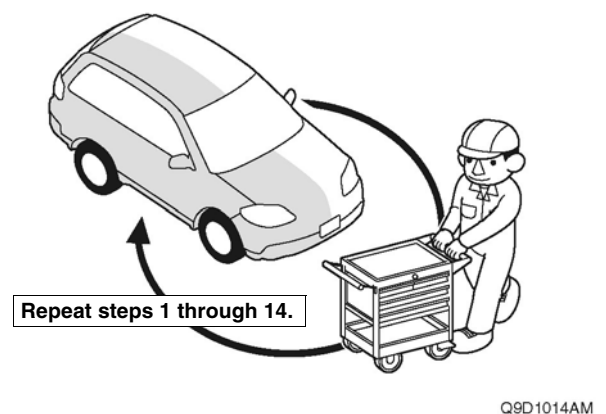
14. Install the caps A and caps B.

NOTICE

- Make sure to install the caps in the correct orientation.



15. Repeat same procedures for the other side.



Check After Installation

16. Check that all parts are installed properly.

