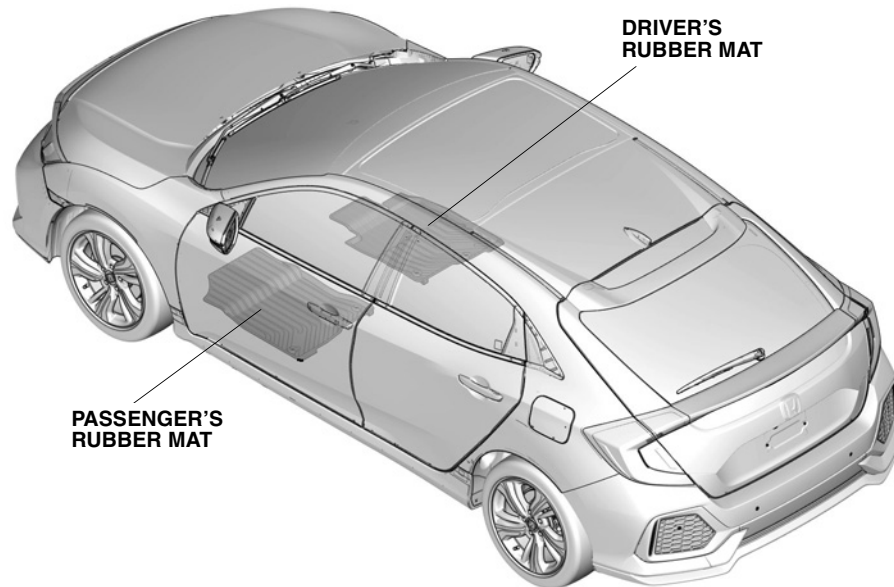


RUBBER MATS

CIVIC

GENERAL VIEW



QF60301AT

FOR YOUR SAFETY (Read carefully)

Introduction of Symbol Messages

- These symbols warn you about the possible hazards and explain how to avoid them. And give you some advices.

⚠ DANGER

You will be killed or seriously hurt if you do not follow the instructions.

⚠ WARNING

You can be killed or seriously hurt if you do not follow the instructions.

⚠ CAUTION

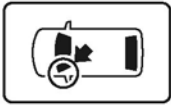
You can be hurt if you do not follow the instructions.

NOTICEGives advice to prevent damage to the product.
Gives helpful information or instructions to be followed in using the product.

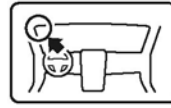
Indicates prohibited actions.

Introduction of Icons

- These icons indicate the working place and the worker's vision.



The place for the vehicle.



The place for the instrument panel.

- These icons indicate the necessary things for your safety and the work.



Wear eye protection.



Wear heavy gloves.



Work with an assistant.



Place the part on a blanket.



Remove any burrs.



Use the touch-up paint and dry.



Keep the parts and give it to the customer.
(Not use)



Press firmly.



Tighten by specified torque.



Work perpendicularly.



Clean with the contact cleaner.

Safety: General

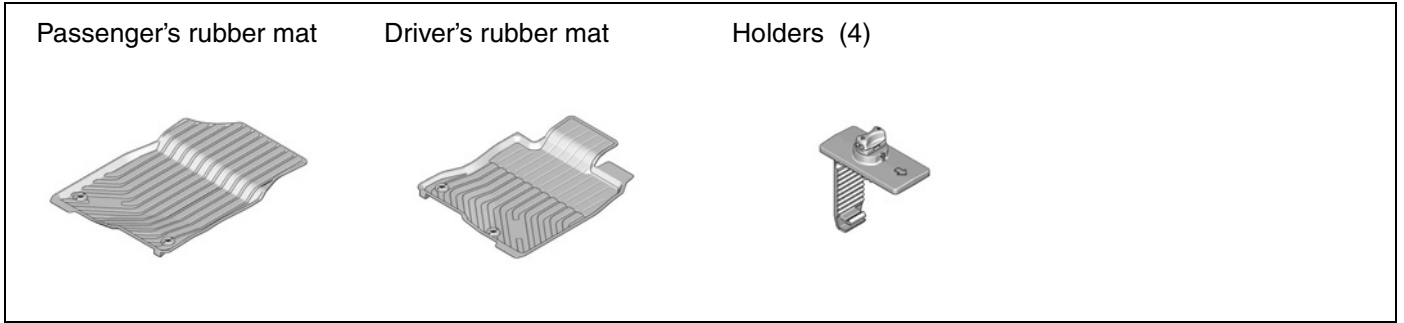
- Be careful not to damage the vehicle and the parts.
- The illustrations may differ a little from the actual accessories for the design change of the vehicle.

Safety: For the Accessory

- Before installing the rubber mats, check the installation positions.
- Holders are required to prevent the mat from sliding forward and possibly interfering with the pedals.
- When replacing the rubber mat, use the factory designed rubber mats compatible with the holders.
- Do not place additional mats on top of the rubber mats. The additional mats may slide forward and possibly interfere with the pedal.
- Make sure to re-anchor the mats after removing the rubber mat.
- Identify each mat by the mark on the back of each mat: the mat marked "R" or "Driver's side" is placed on the right side of the vehicle; the mat marked "L" or "Passenger's side" is placed on the left side of the vehicle.

PARTS LIST

Rubber Mat Kit



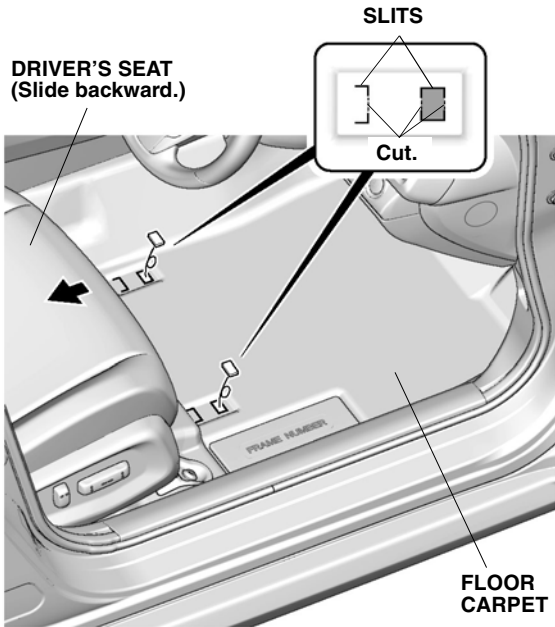
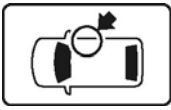
TOOLS AND SUPPLIES REQUIRED

- Flat-tip screwdriver
- Utility knife
- Ruler

INSTALLATION

Installing the Rubber Mats

1. Cut out the floor carpet.



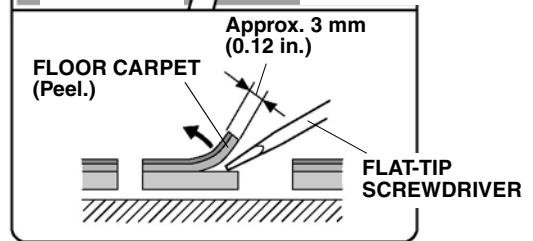
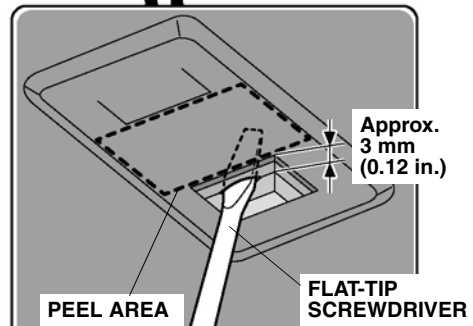
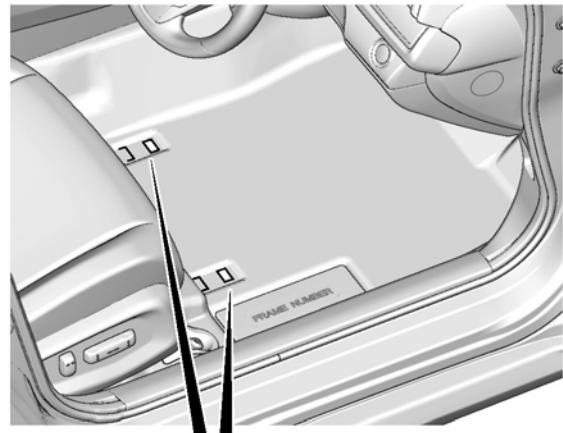
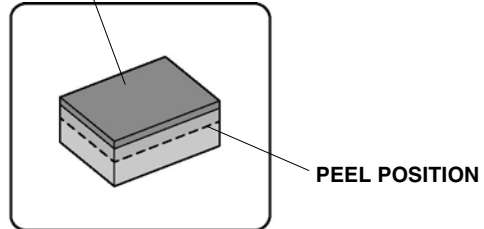
QE91602CJ

2. Check the peel position.
3. Peel the floor carpet.

NOTICE

- Make sure to peel the floor carpet in the correct position.

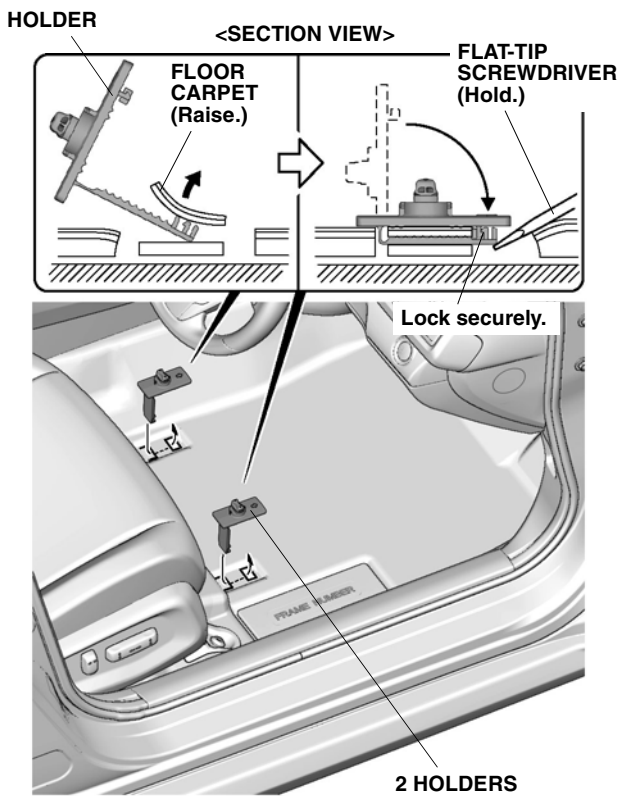
FLOOR CARPET
(Cut in step 1.)



<SECTION VIEW>

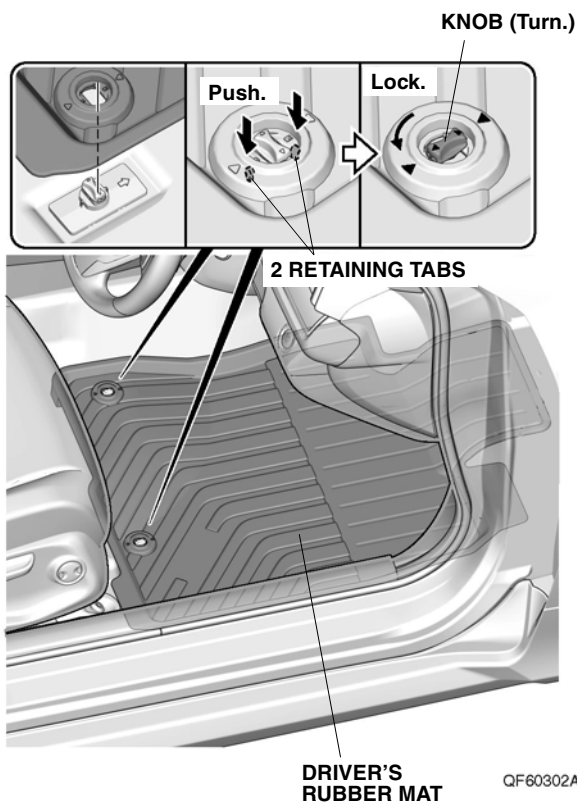
QF41501DT

4. Install the holders.



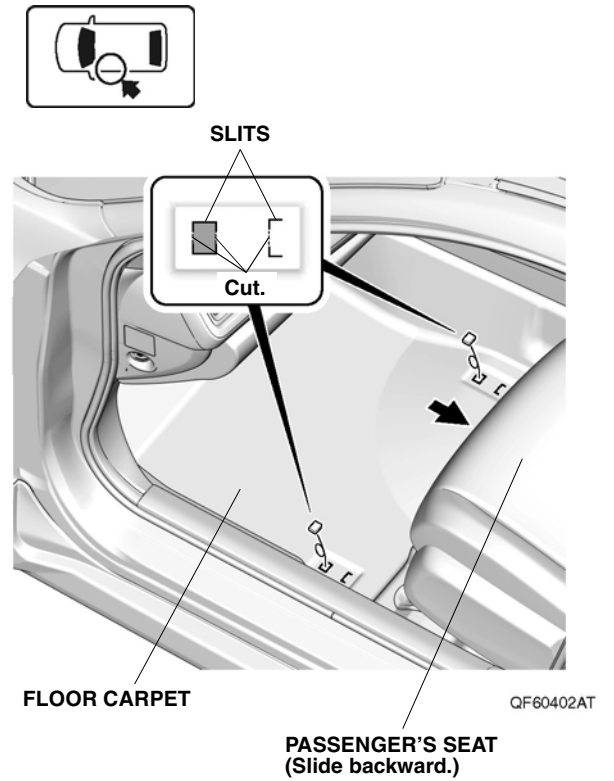
QF41502AT

5. Install the driver's rubber mat.



QF60302AT

6. Cut out the floor carpet.

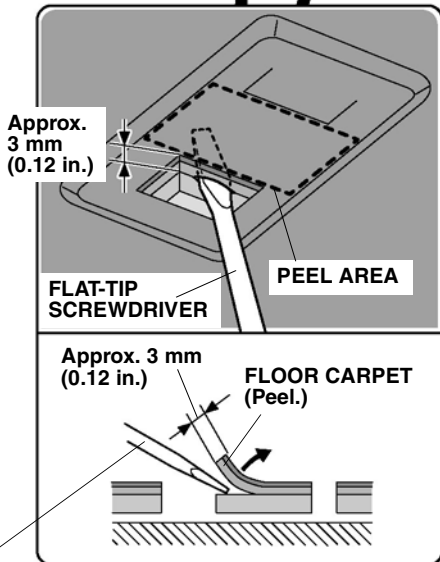
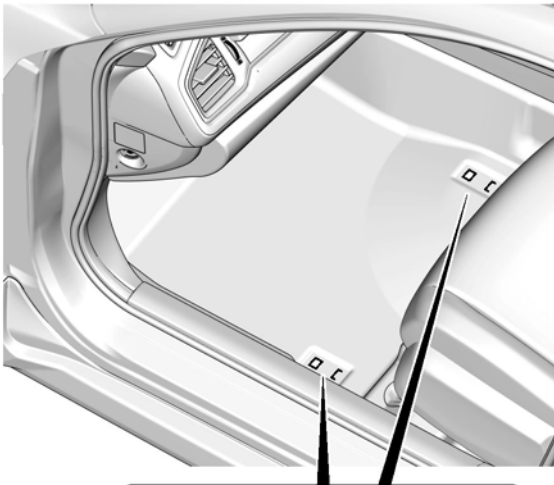
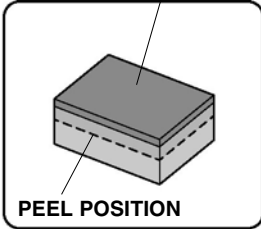


7. Check the peel position.
8. Peel the floor carpet.

NOTICE

- Make sure to peel the floor carpet in the correct position.

FLOOR CARPET
(Cut in step 6.)

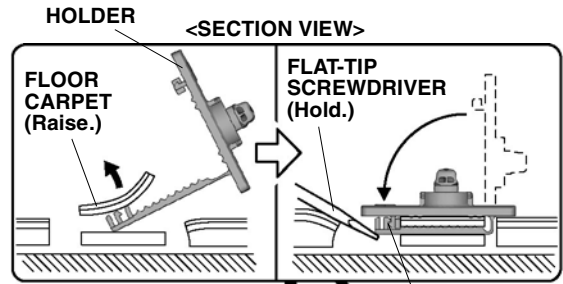


FLAT-TIP SCREWDRIVER

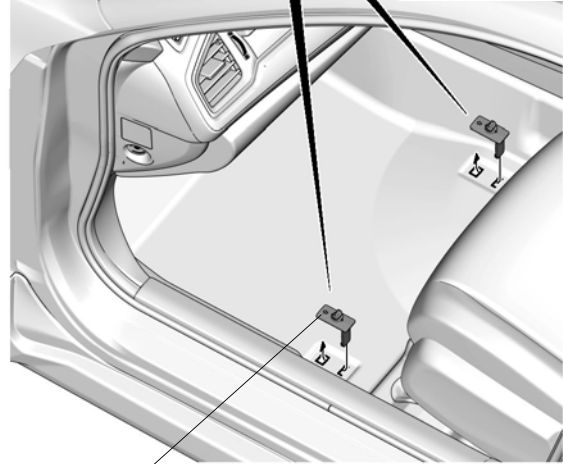
<SECTION VIEW>

QF60410AT

9. Install the holders.



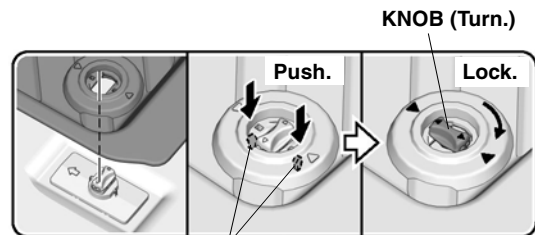
Lock securely.



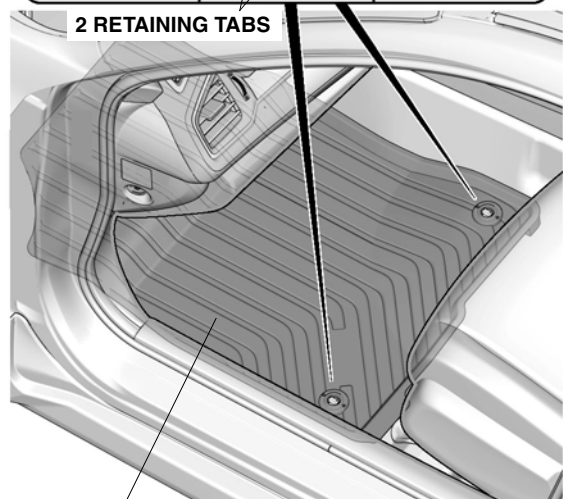
2 HOLDERS

QF60403BT

10. Install the passenger's rubber mat.



2 RETAINING TABS



PASSENGER'S RUBBER MAT

QF60303AT

11. Check that all parts are installed properly.
(End of installation)