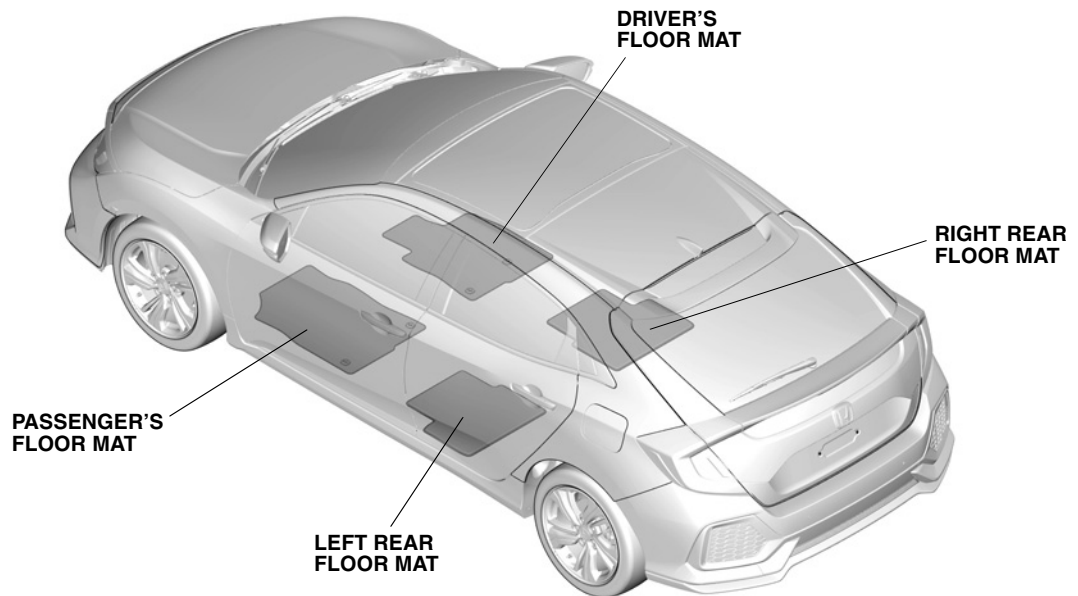


## FLOOR MATS

*CIVIC*

## GENERAL VIEW



QF60401BT

## FOR YOUR SAFETY (Read carefully)

## Introduction of Symbol Messages

- These symbols warn you about the possible hazards and explain how to avoid them. And give you some advices.

**⚠ DANGER**

You will be killed or seriously hurt if you do not follow the instructions.

**⚠ WARNING**

You can be killed or seriously hurt if you do not follow the instructions.

**⚠ CAUTION**

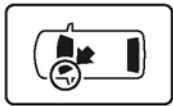
You can be hurt if you do not follow the instructions.

**NOTICE**Gives advice to prevent damage to the product.  
Gives helpful information or instructions to be followed in using the product.

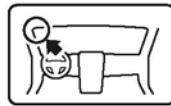
Indicates prohibited actions.

## Introduction of Icons

- These icons indicate the working place and the worker's vision.



The place for the vehicle.



The place for the instrument panel.

- These icons indicate the necessary things for your safety and the work.



Wear eye protection.



Wear heavy gloves.



Work with an assistant.



Place the part on a blanket.



Remove any burrs.



Use the touch-up paint and dry.



Keep the parts and give it to the customer.  
(Not use)



Press firmly.



Tighten by specified torque.



Work perpendicularly.



Clean with the contact cleaner.

## Safety: General

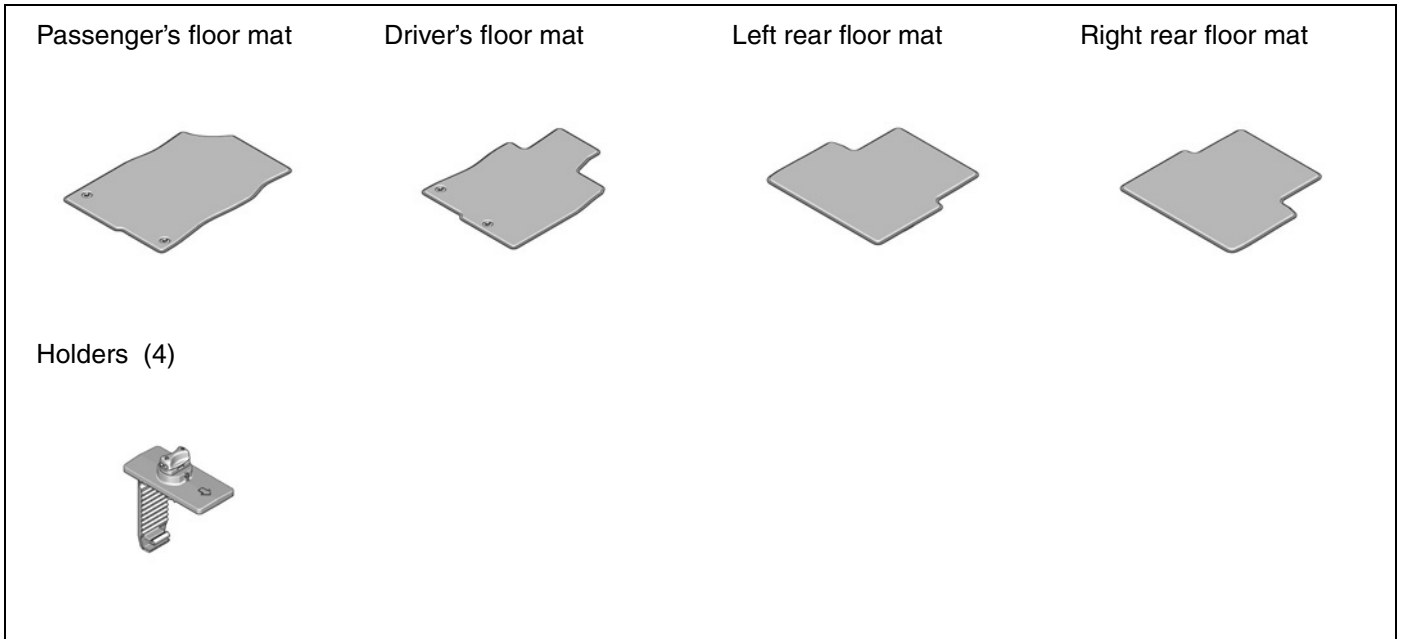
- Be careful not to damage the vehicle and the parts.
- The illustrations may differ a little from the actual accessories for the design change of the vehicle.

## Safety: For the Accessory

- Before installing the floor mats, check the installation positions.
- Holders are required to prevent the mat from sliding forward and possibly interfering with the pedals.
- When replacing the floor mat, use the factory designed floor mats compatible with the holders.
- Do not place additional mats on top of the floor mats. The additional mats may slide forward and possibly interfere with the pedal.
- Make sure to re-anchor the mats after removing the floor mat.

# PARTS LIST

## Floor Mat Kit



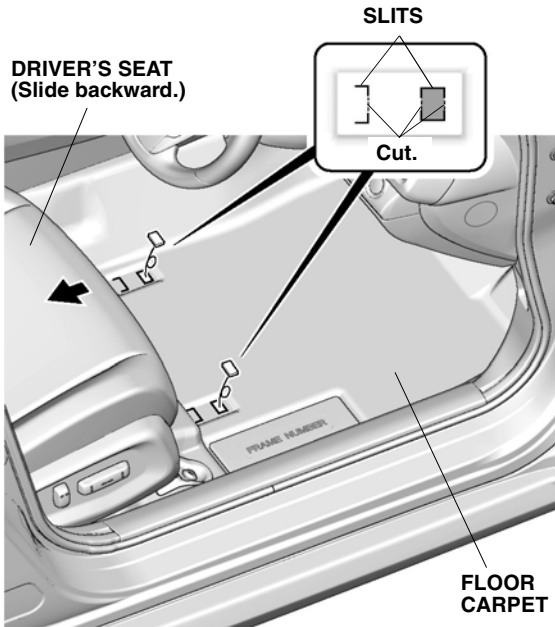
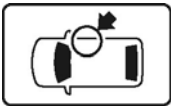
## TOOLS AND SUPPLIES REQUIRED

- Flat-tip screwdriver
- Utility knife
- Ruler

# INSTALLATION

## Installing the Floor Mats

1. Cut out the floor carpet.



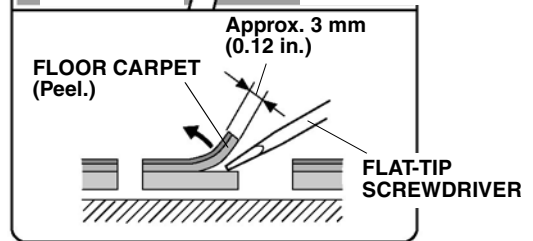
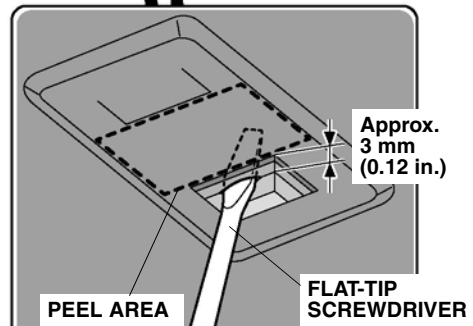
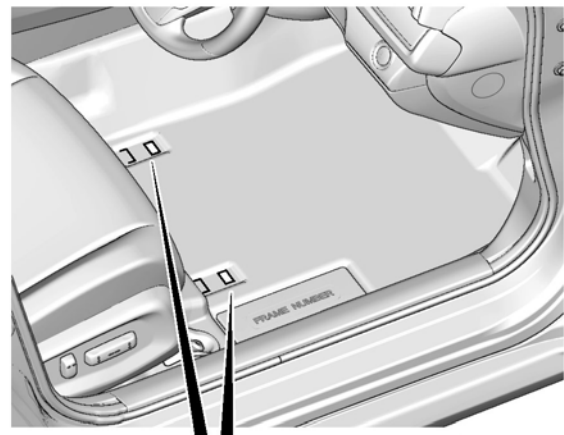
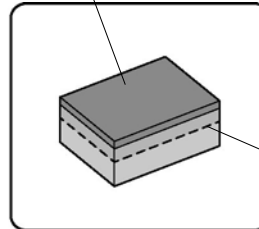
QE91602CJ

2. Check the peel position.
3. Peel the floor carpet.

### NOTICE

- Make sure to peel the floor carpet in the correct position.

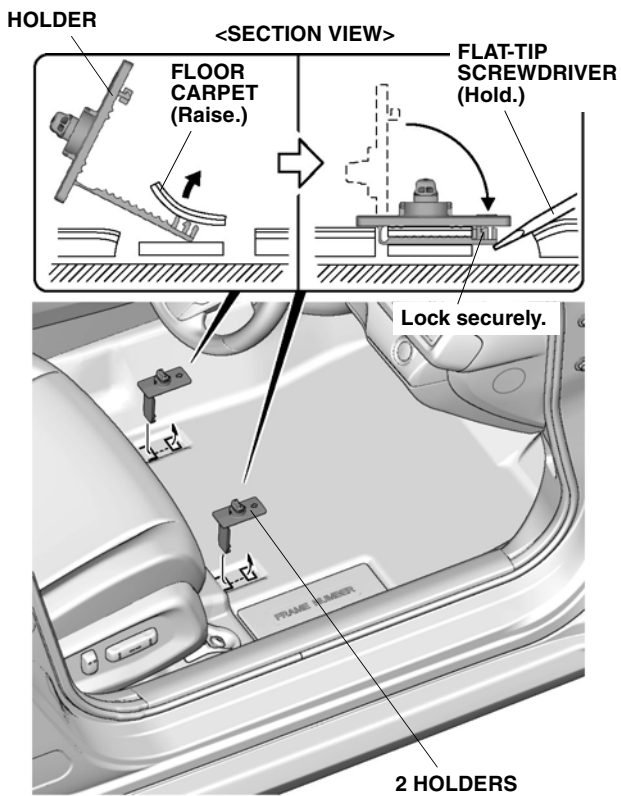
FLOOR CARPET  
(Cut in step 1.)



<SECTION VIEW>

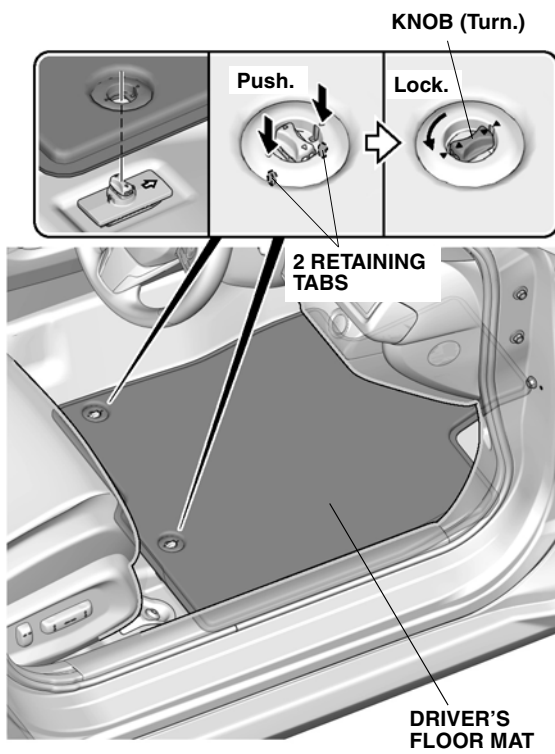
QF41501DT

4. Install the holders.



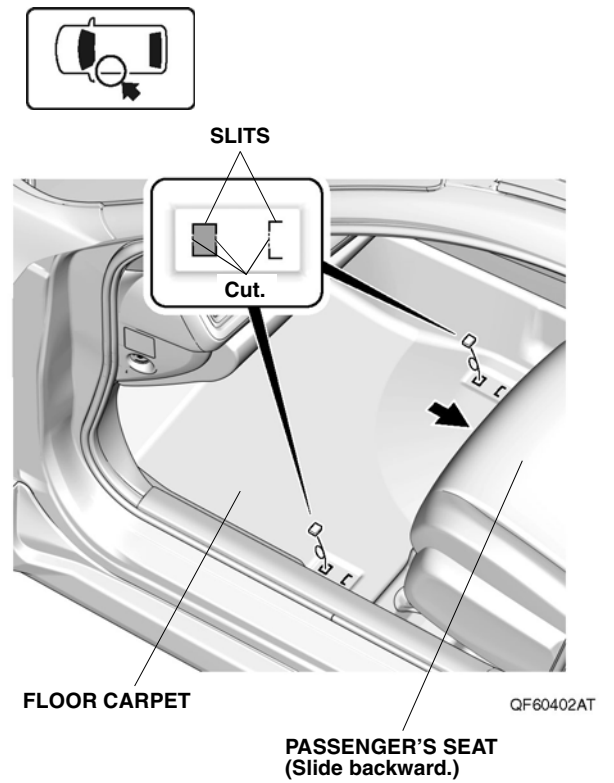
QF41502AT

5. Install the driver's floor mat.



QF61201AH

6. Cut out the floor carpet.



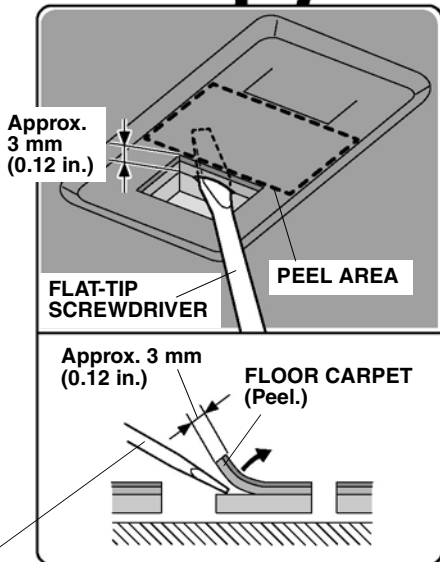
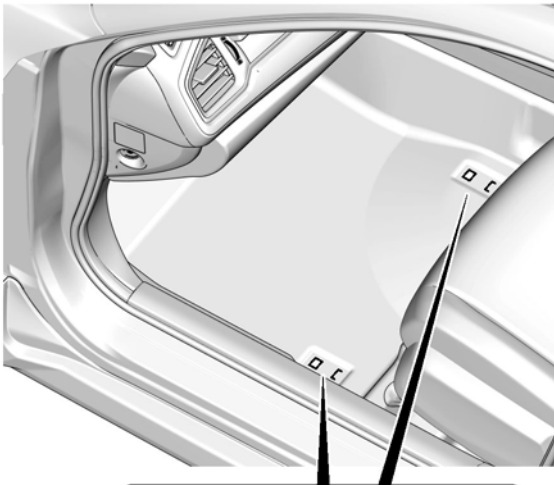
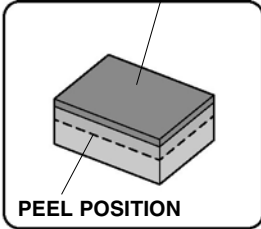
QF60402AT

7. Check the peel position.
8. Peel the floor carpet.

**NOTICE**

- Make sure to peel the floor carpet in the correct position.

FLOOR CARPET  
(Cut in step 6.)

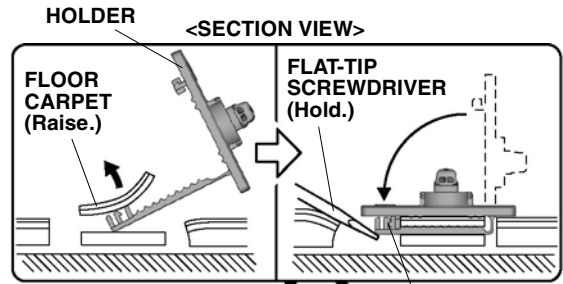


FLAT-TIP SCREWDRIVER

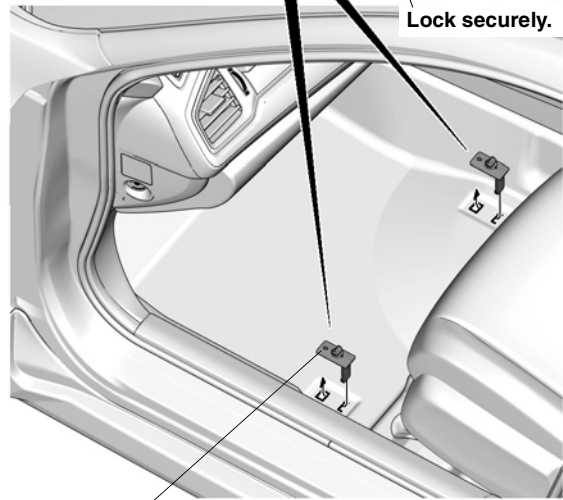
<SECTION VIEW>

QF60410AT

9. Install the holders.



Lock securely.

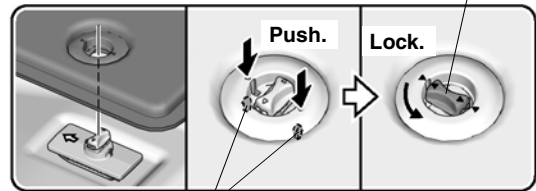


2 HOLDERS

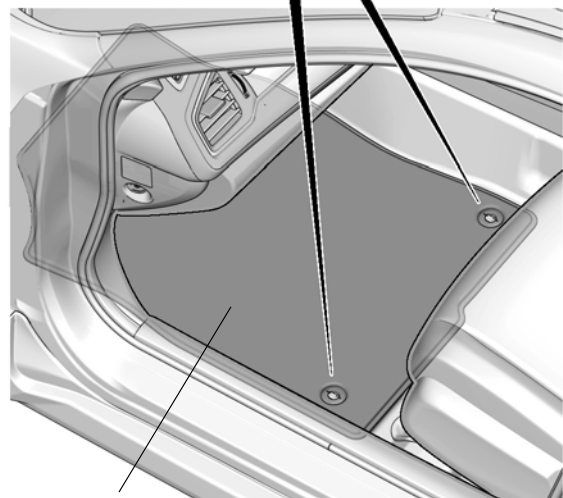
QF60403BT

10. Install the passenger's floor mat.

KNOB (Turn.)



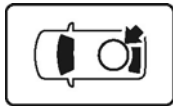
2 RETAINING TABS



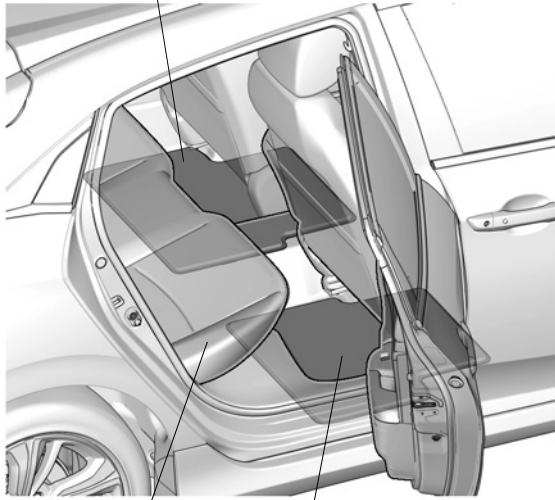
PASSENGER'S FLOOR MAT

QF60404BT

11. Install the left and right rear floor mats.



**LEFT REAR  
FLOOR MAT**



**REAR SEAT**

**RIGHT REAR  
FLOOR MAT**

QF60405BT

12. Check that all parts are installed properly.  
(End of installation)