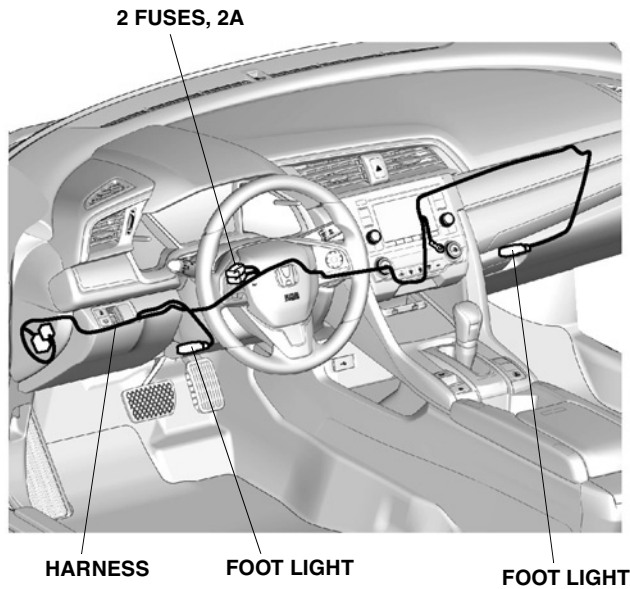


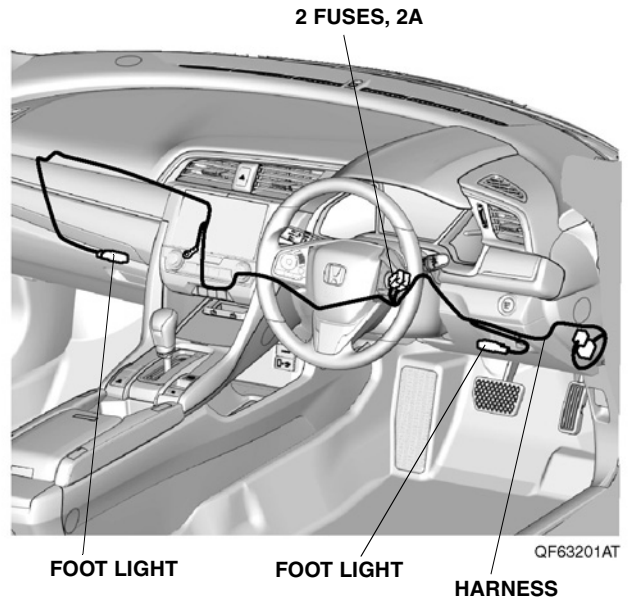
FOOT LIGHTS	<i>CIVIC</i>
-------------	--------------

### GENERAL VIEW

<LHD models>



<RHD models>



### FOR YOUR SAFETY (Read carefully)

#### Introduction of Symbol Messages

- These symbols warn you about the possible hazards and explain how to avoid them. And give you some advices.

**⚠ DANGER**

You will be killed or seriously hurt if you do not follow the instructions.

**⚠ WARNING**

You can be killed or seriously hurt if you do not follow the instructions.

**⚠ CAUTION**

You can be hurt if you do not follow the instructions.

**NOTICE**

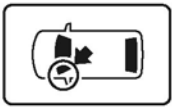
Gives advice to prevent damage to the product.  
Gives helpful information or instructions to be followed in using the product.



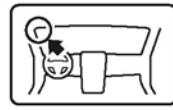
Indicates prohibited actions.

## Introduction of Icons

- These icons indicate the working place and the worker's vision.



The place for the vehicle.



The place for the instrument panel.

- These icons indicate the necessary things for your safety and the work.



Wear eye protection.



Wear heavy gloves.



Work with an assistant.



Place the part on a blanket.



Remove any burrs.



Use the touch-up paint and dry.



Keep the parts and give it to the customer.  
(Not use)



Press firmly.



Tighten by specified torque.

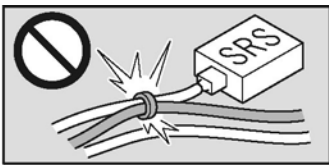


Work perpendicularly.



Clean with the contact cleaner.

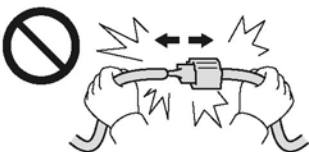
## Wire Harness Routing Precaution



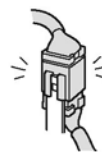
Do not clamp the accessory harness and SRS harness together.



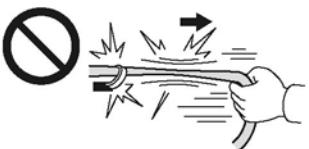
Connect the connectors and terminals securely until they lock.



Do not pull the harness to disconnect the connectors.



Reinstall the connectors to the original positions if they are removed.



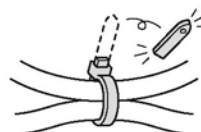
Do not pull the harness strongly.



Secure the accessory harness to the specified position, not to hang down.



Do not pinch the harness with the parts.



Cut off the excess of the wire ties.

## Safety: General

- Observe all safety notes and precautions described in the Shop Manual in addition to those described in this Installation Instructions. Be extremely careful for your safety and safety of others particularly.
- Be careful not to damage the vehicle and the parts.
- Be extremely careful to the handling of the retaining tabs and clips particularly.
- Note the locations of the parts before removing them so that they can be reinstalled in their original positions properly.
- The illustrations may differ a little from the actual accessories for the design change of the vehicle.

## Safety: For Electric Parts


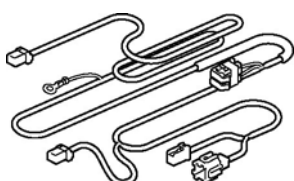
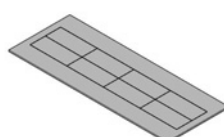


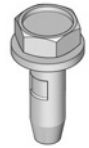
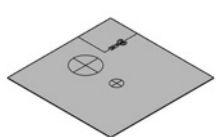
- Do not perform the installation of the accessories with having connected negative cable of the battery.

## Safety: For the Accessory

- Always use the parts and tools specified in the installation instructions.
- Do not perform installation work and attaching work at the place where gets the direct rays of the sun or the dust appears.
- Always install these accessories at the ambient air temperature 15°C (60°F) or above.
- Heat the accessories and bonding surfaces if the ambient air temperature is below 15°C (60°F).
- Attach the accessories by pressing it firmly with the palm of your hand. Be careful not to damage the accessories and the vehicle parts.
- Carefully place the double-sided adhesive tape on the proper position. Once the double-sided adhesive tape touches the surface, do not try to detach and relocate it. If you attempt to move after it touches the surface, you will damage the part before the adhesive will give way.

## PARTS LIST

### Foot Light Kit

Foot lights (2) 	Harness 	Fuse label 	Self-tapping screws (2) 
Wire ties (17) (Some may not be used) 	Ground bolt 	Template (May not be used) 	

## TOOLS AND SUPPLIES REQUIRED

- Phillips screwdriver
- Pushpin
- Contact cleaner
- Ratchet
- 3 mm and 5 mm Drill bits
- Eye protection  
(face shield, safety goggles, etc.)
- 10 mm Open end wrench
- File
- Shop towel
- 10 mm Socket
- 12 mm Hole saw
- Tape
- Nippers
- Handy remover
- Drill
- Electrical tape

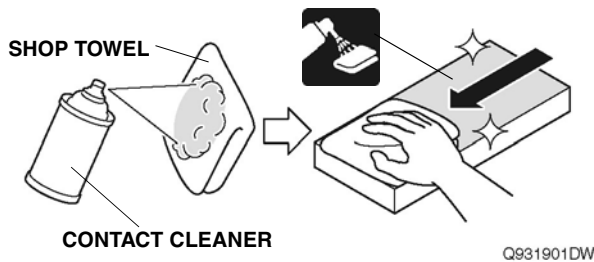
# INSTALLATION

## How to Use the Contact Cleaner

- Using contact cleaner on a shop towel, thoroughly clean the areas where the accessories will be attached.

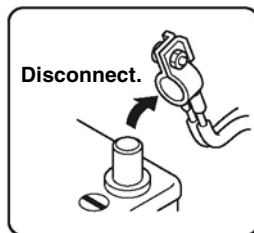
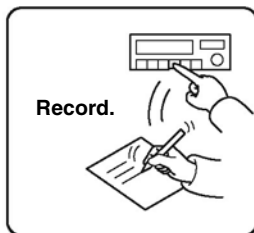
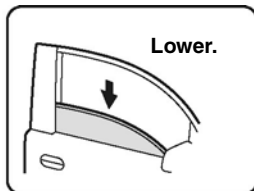
### NOTICE

- Always use the contact cleaner.
- Do not apply the cleaner to the object of the work directly.
- Completely dry the cleaned areas before attachment work.



## Disconnecting the Battery Cable

1. Perform the works before disconnecting the negative cable from the battery as shown below.
2. Make sure if you have the anti-theft code for the audio/navigation system. Record some settings of the vehicle if necessary.
3. Disconnect the negative cable from the battery.



## Removing the Vehicle Parts (LHD)

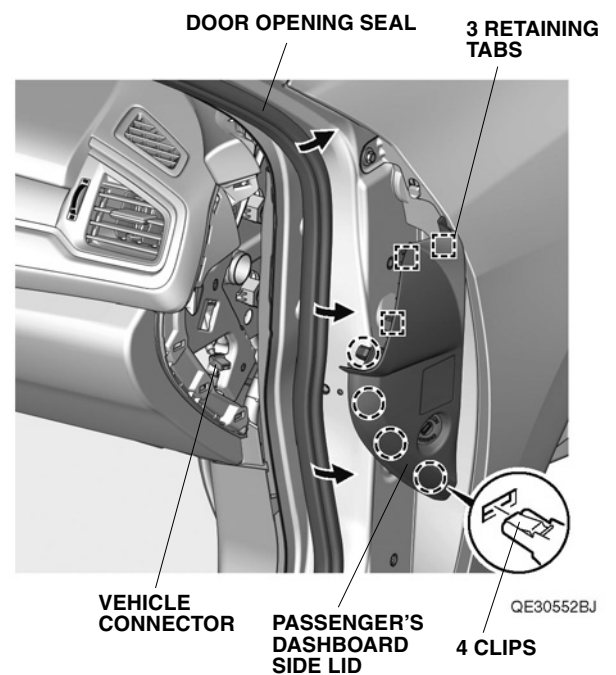
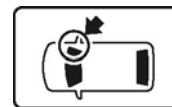
- |              |            |
|--------------|------------|
| • LHD models | To step 4  |
| • RHD models | To step 53 |

<LHD models>

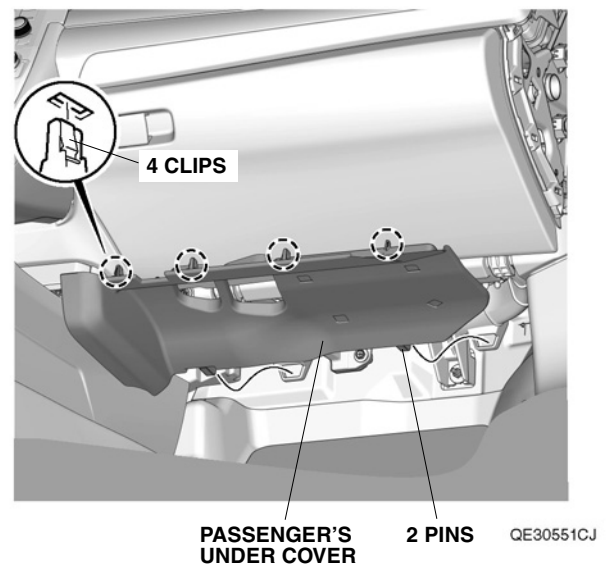
4. Remove the passenger's dashboard side lid.

### CAUTION

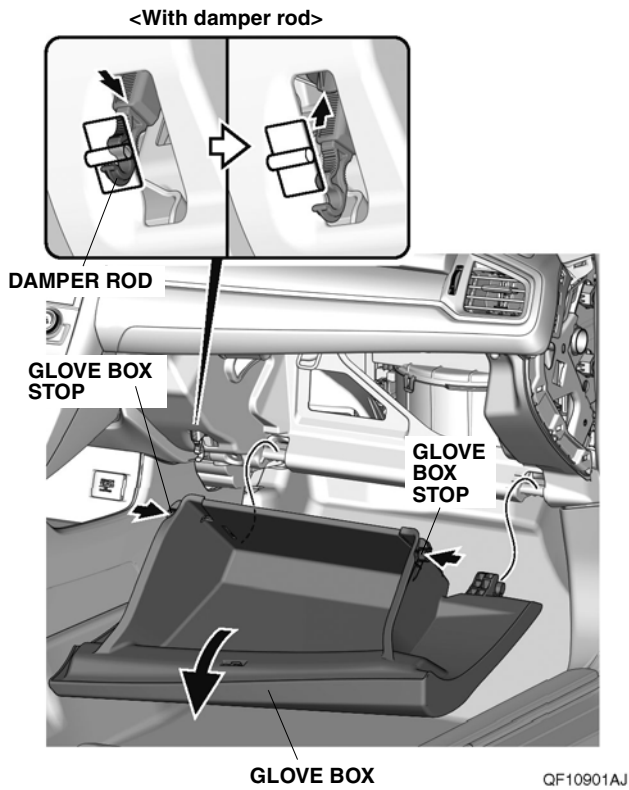
- Work after leaving more than three minutes after disconnecting the negative cable from the battery.



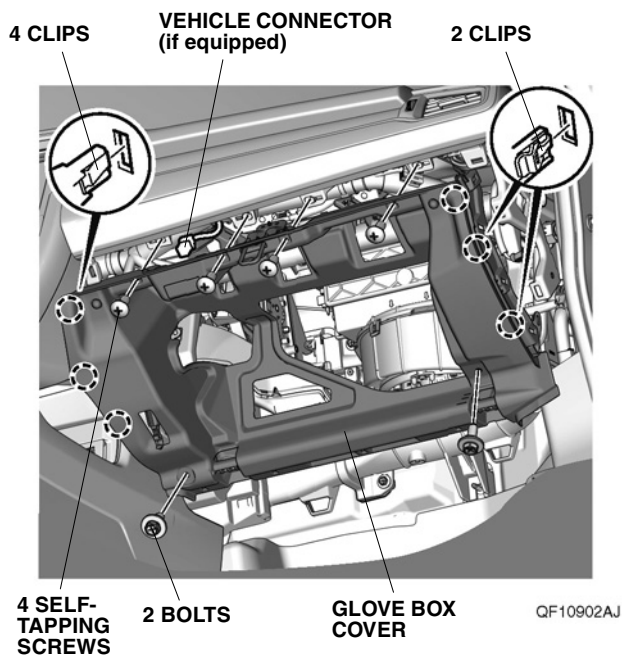
5. Remove the passenger's under cover.



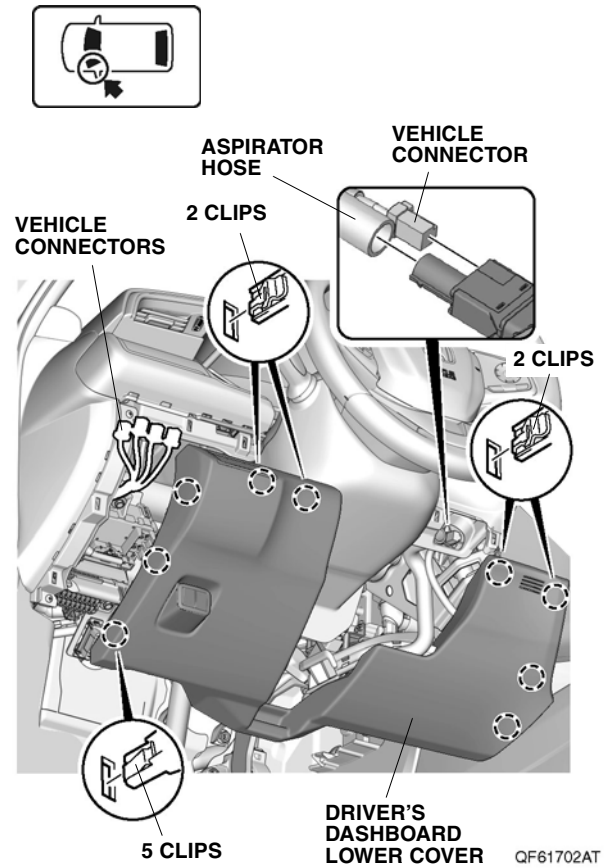
- Remove the glove box.



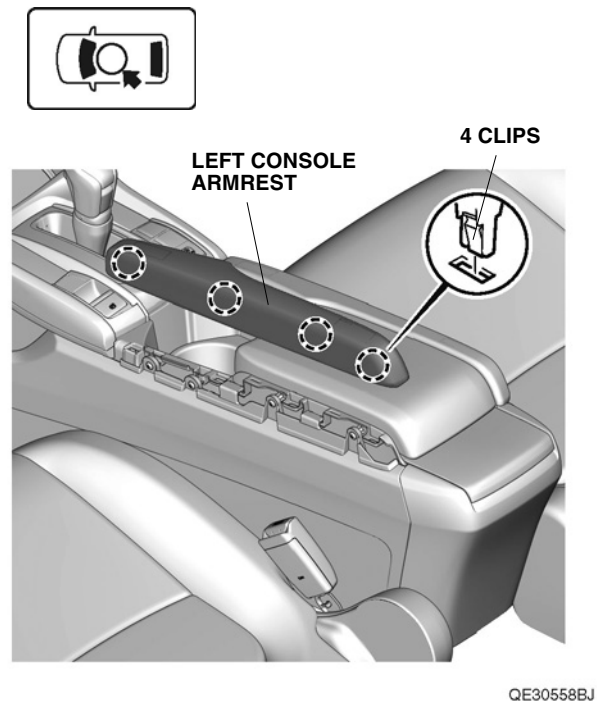
- Remove the glove box cover.



- Remove the driver's dashboard lower cover.



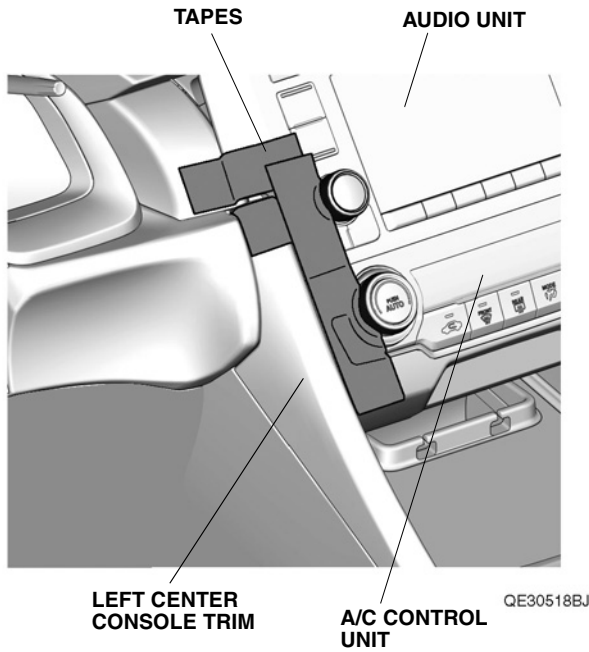
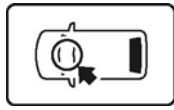
- Remove the left console armrest.



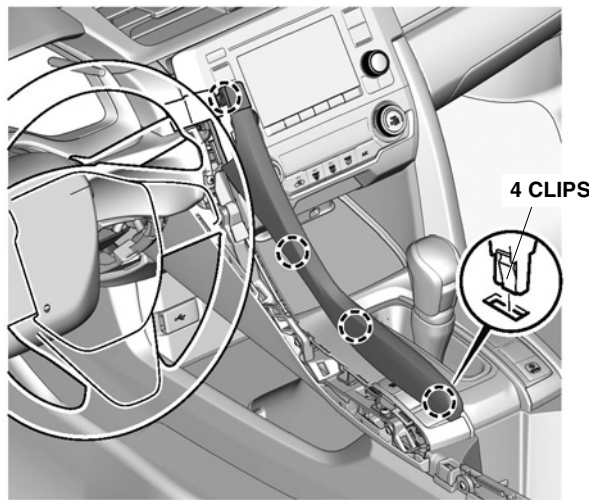
10. Attach the tapes to protect the vehicle.

**NOTICE**

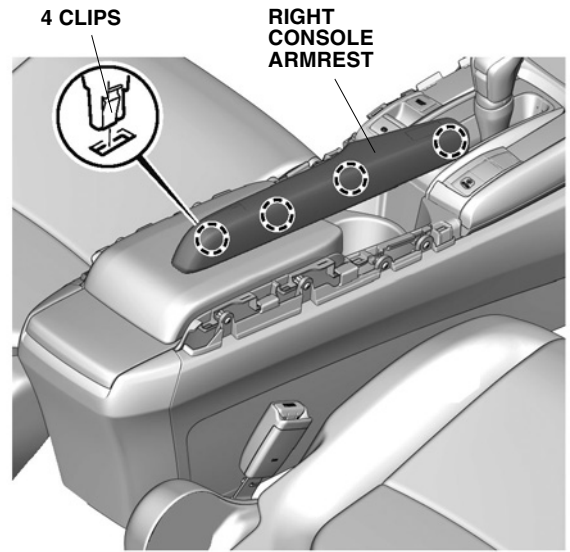
- Do not remove the tapes until after the reinstallation.



11. Remove the left center console trim.



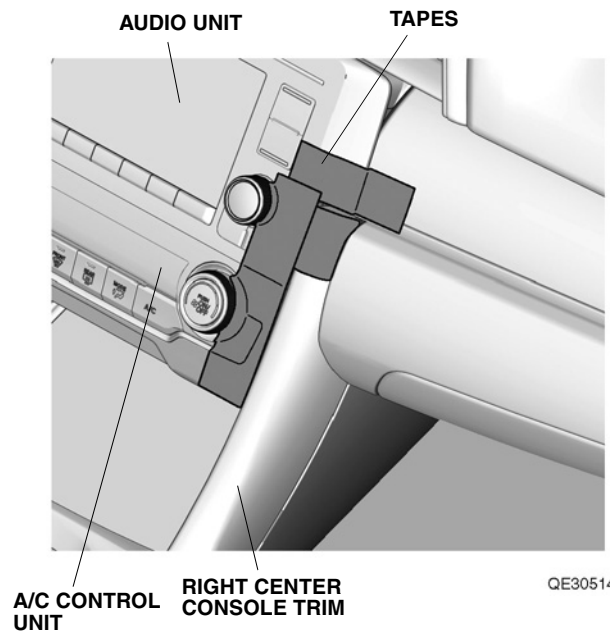
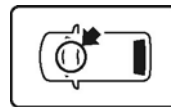
12. Remove the right console armrest.



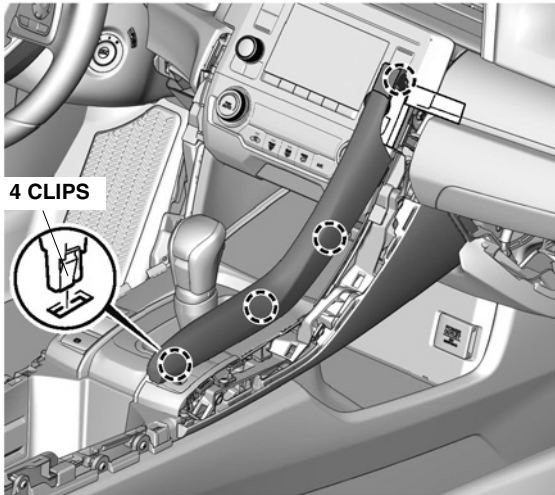
13. Attach the tapes to protect the vehicle.

**NOTICE**

- Do not remove the tapes until after the reinstallation.

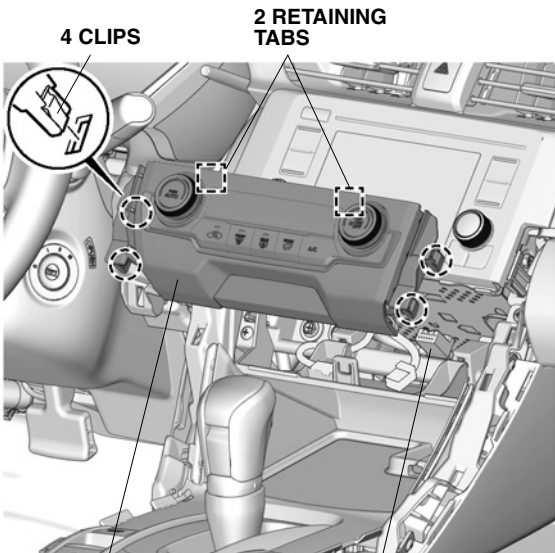


14. Remove the right center console trim.



QE30556BJ

15. Remove the A/C control unit.

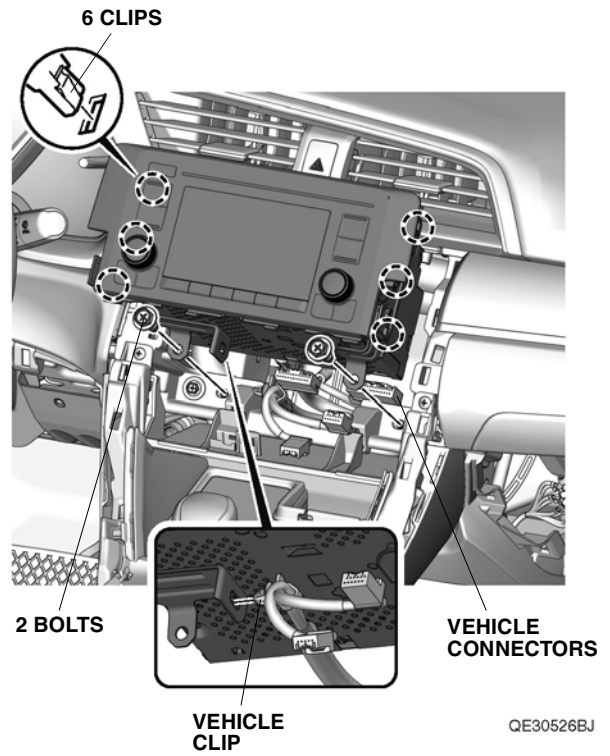


A/C CONTROL UNIT

VEHICLE CONNECTORS

QF61703AT

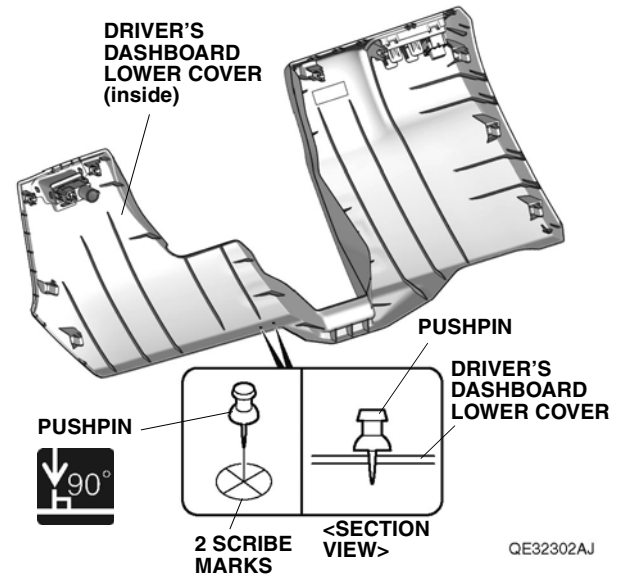
16. Remove the audio unit.



QE30526BJ

## Installing the Foot Lights (LHD)

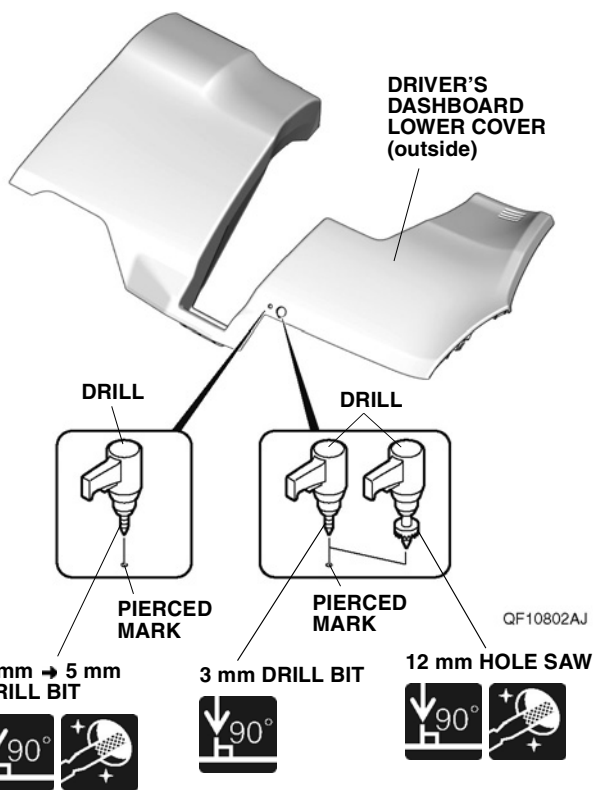
17. Pierce the driver's dashboard lower cover.



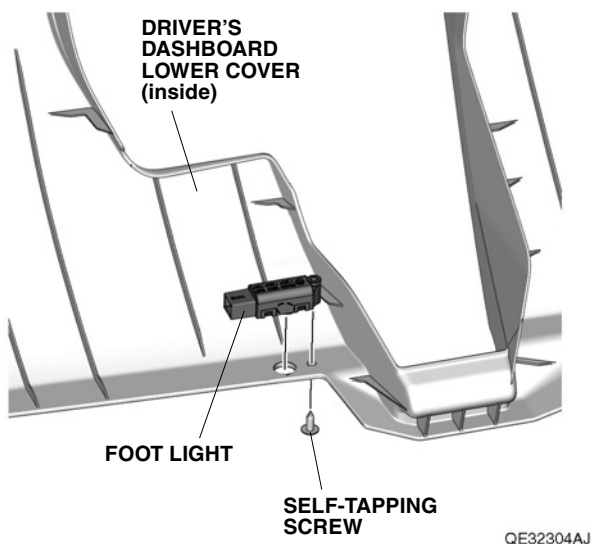
QE32302AJ



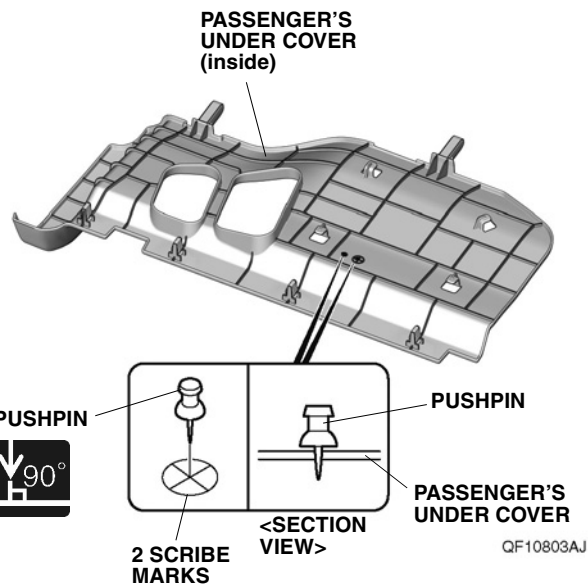
18. Drill the driver's dashboard lower cover.



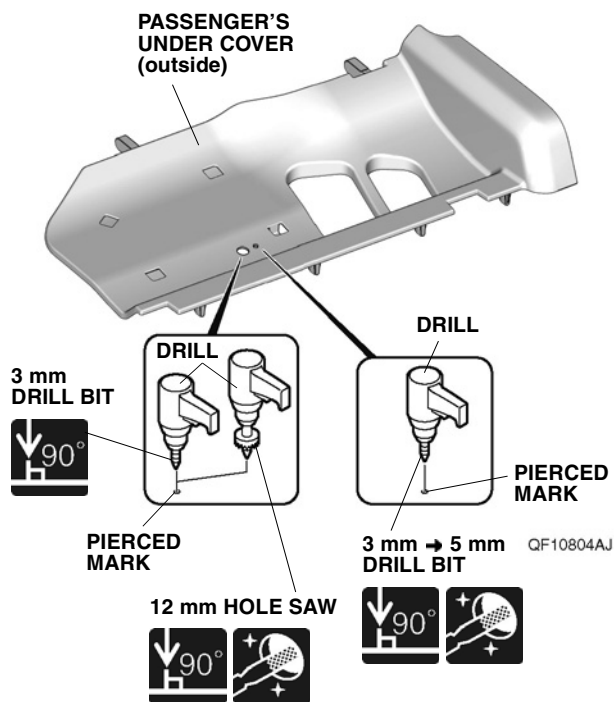
19. Install the foot light.



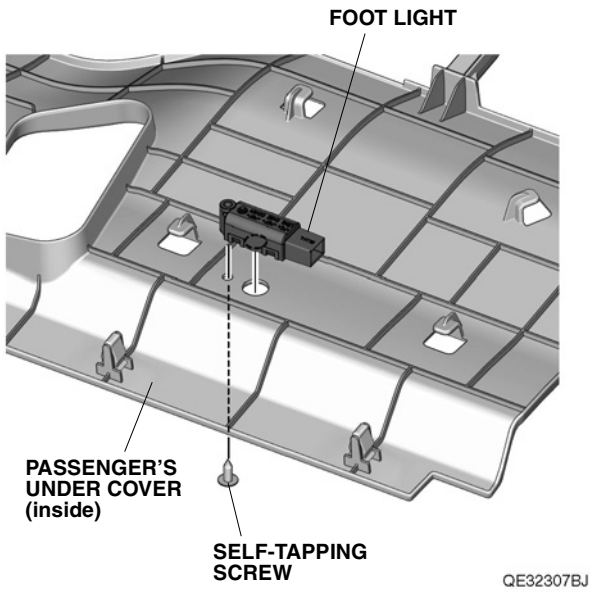
20. Pierce the passenger's under cover.



21. Drill the passenger's under cover.

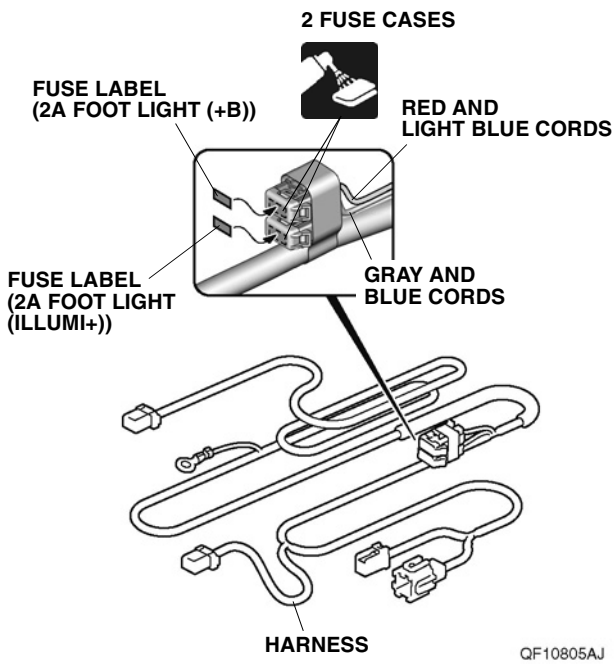


22. Install the foot light.



### Routing the Harness (LHD)

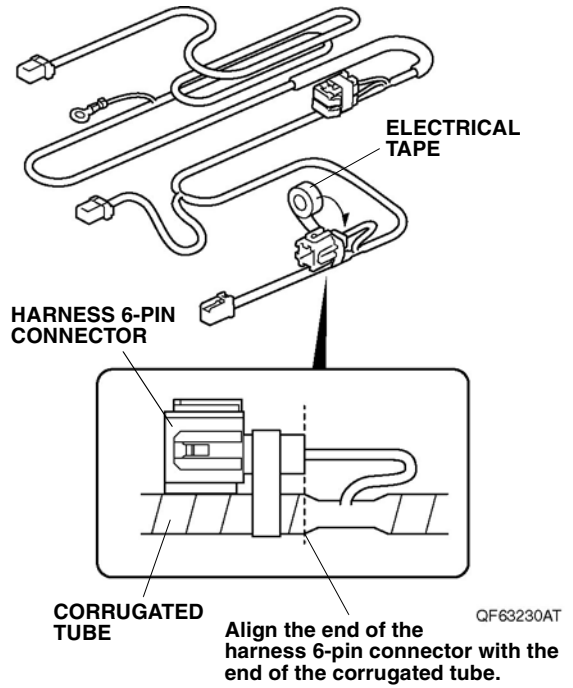
23. Attach the fuse labels.



- |                        |            |
|------------------------|------------|
| • With sub fuse box    | To step 24 |
| • Without sub fuse box | To step 33 |

<With sub fuse box>

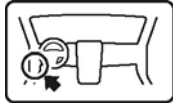
24. Secure the harness connector.



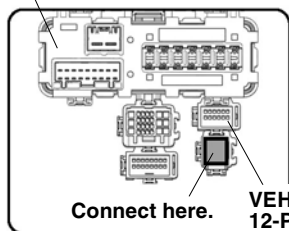
- Without other accessory harness To step 25
- With other accessory harness
  - Wireless charger and/or parking sensors To step 27
  - Step illuminators To step 29
  - Fog lights To step 31

<Without other accessory harness>

25. Connect the harness connector.

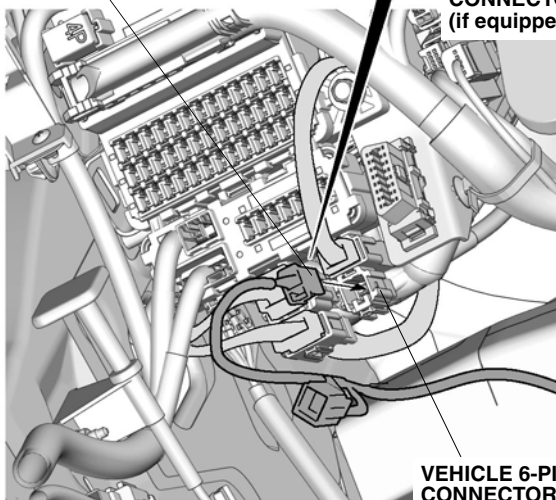


SUB FUSE BOX



VEHICLE 12-PIN CONNECTOR (if equipped)

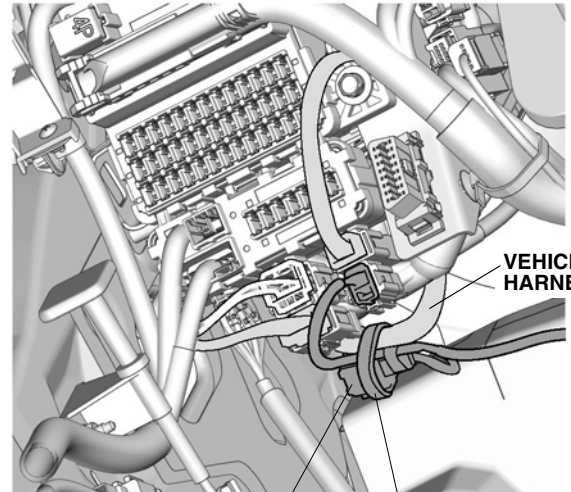
HARNESS 6-PIN CONNECTOR



VEHICLE 6-PIN CONNECTOR

QF63231AT

26. Secure the harness connector.



VEHICLE HARNESS

HARNESS 6-PIN CONNECTOR

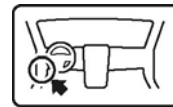
WIRE TIE

QF63232AT

To step 42

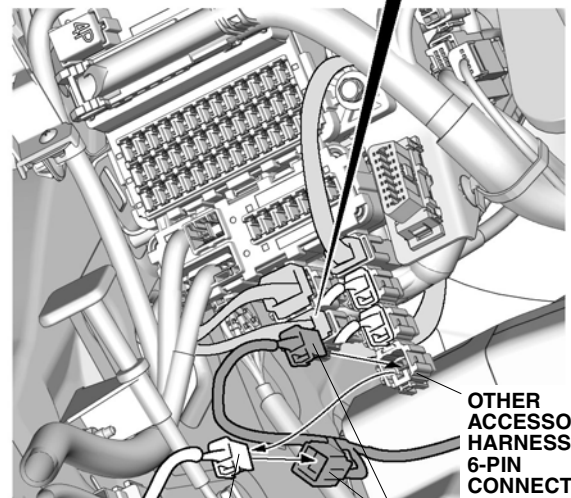
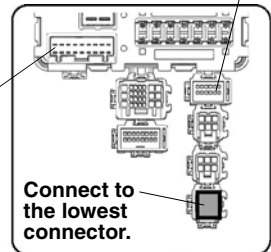
<With other accessory harness, Wireless charger and/or parking sensors>

27. Connect the harness connector.



VEHICLE 12-PIN CONNECTOR (if equipped)

SUB FUSE BOX



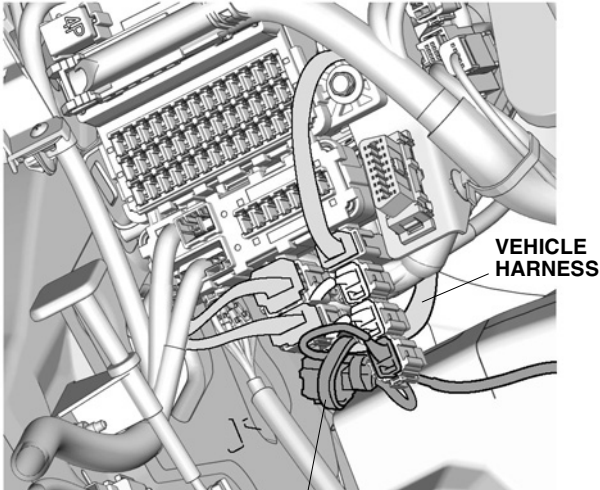
OTHER ACCESSORY HARNESS 6-PIN CONNECTOR

FOG LIGHT HARNESS 6-PIN CONNECTOR (if equipped)

HARNESS 6-PIN CONNECTORS

QF63233BT

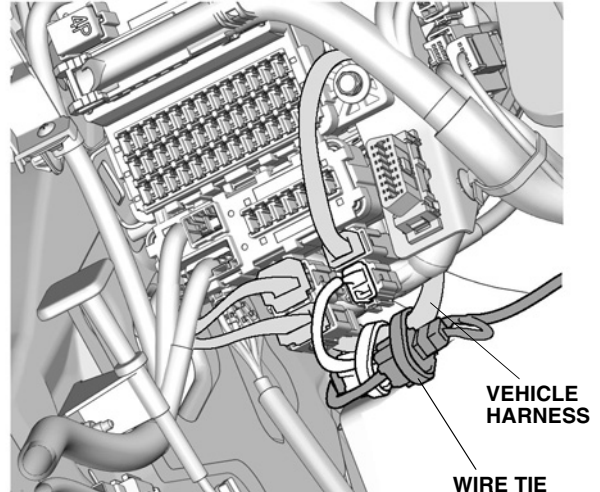
28. Secure the harness connector.



WIRE TIE

QF63234AT

30. Secure the harness connector.



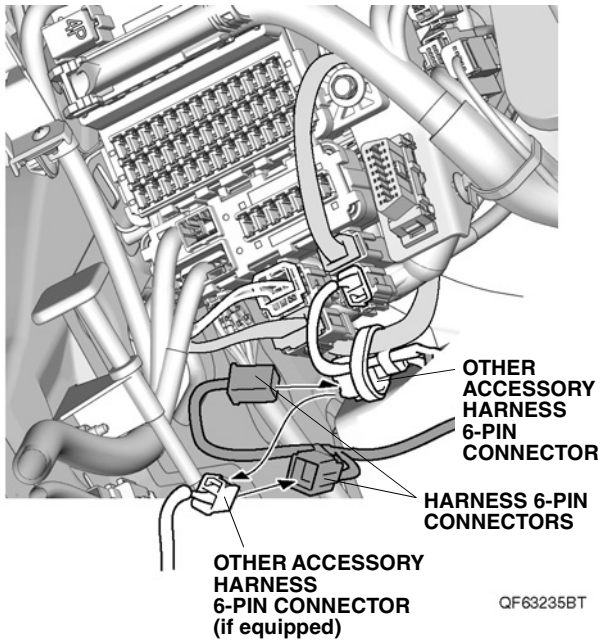
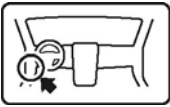
WIRE TIE

QF63236AT

To step 42

<With other accessory harness, Step illuminators>

29. Connect the harness connector.

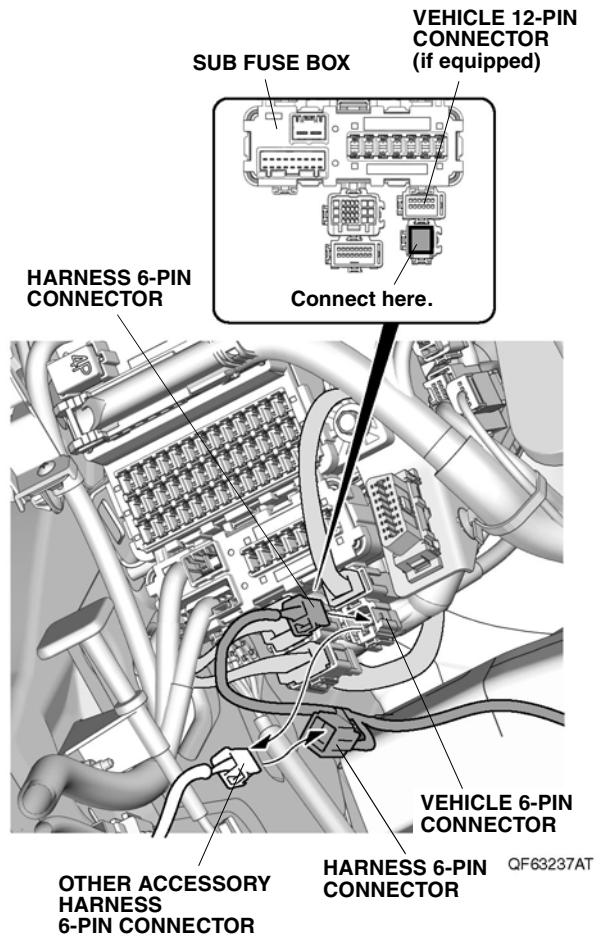
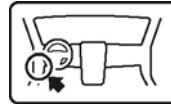


QF63235BT

To step 42

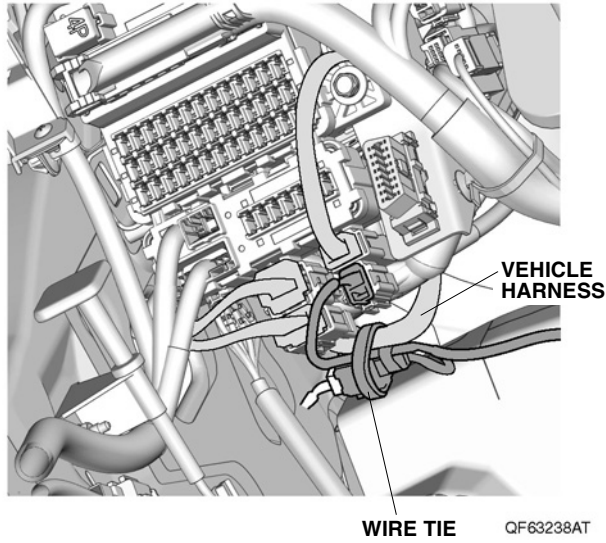
<With other accessory harness, Fog lights>

31. Connect the harness connector.



QF63237AT

32. Secure the connectors.

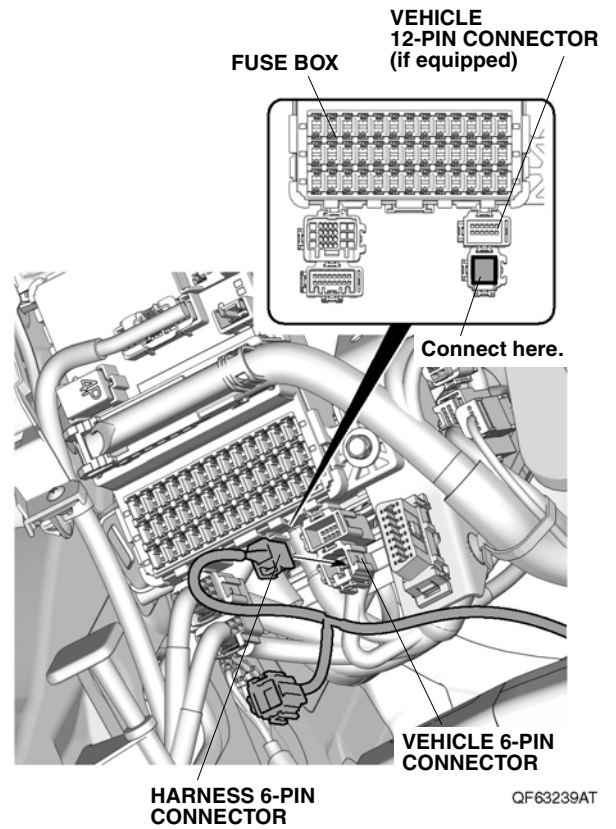
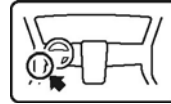


To step 42

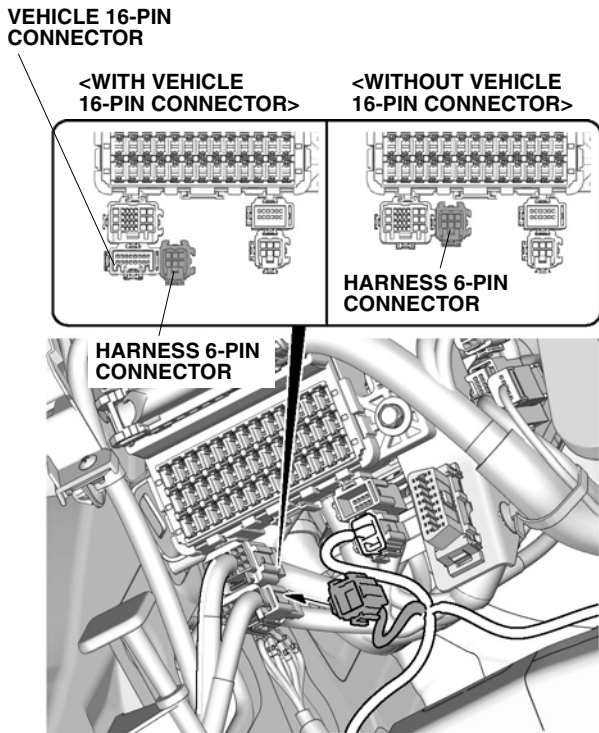
- Without other accessory harness To step 33
- With other accessory harness
  - Wireless charger and/or parking sensors To step 35
  - Step illuminators To step 37
  - Fog lights To step 39

<Without other accessory harness>

33. Connect the harness connector.

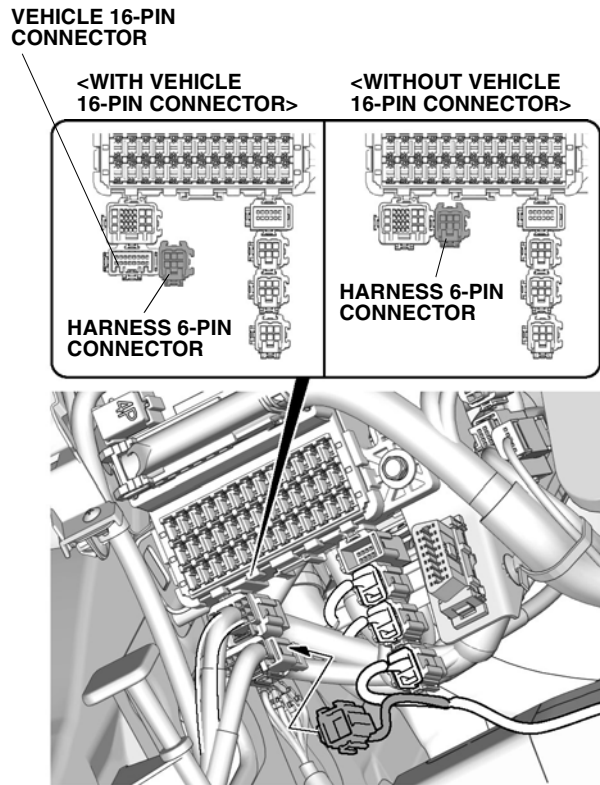


34. Secure the harness connector.



QF63240AT

36. Secure the harness connector.

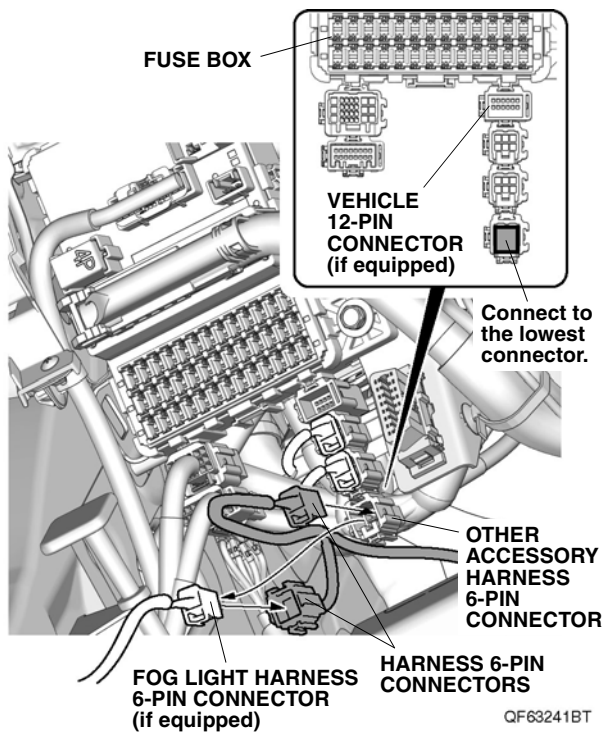
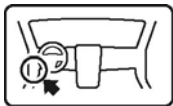


QF63242AT

To step 41

<With other accessory harness, Wireless charger and/or parking sensors>

35. Connect the harness connector.

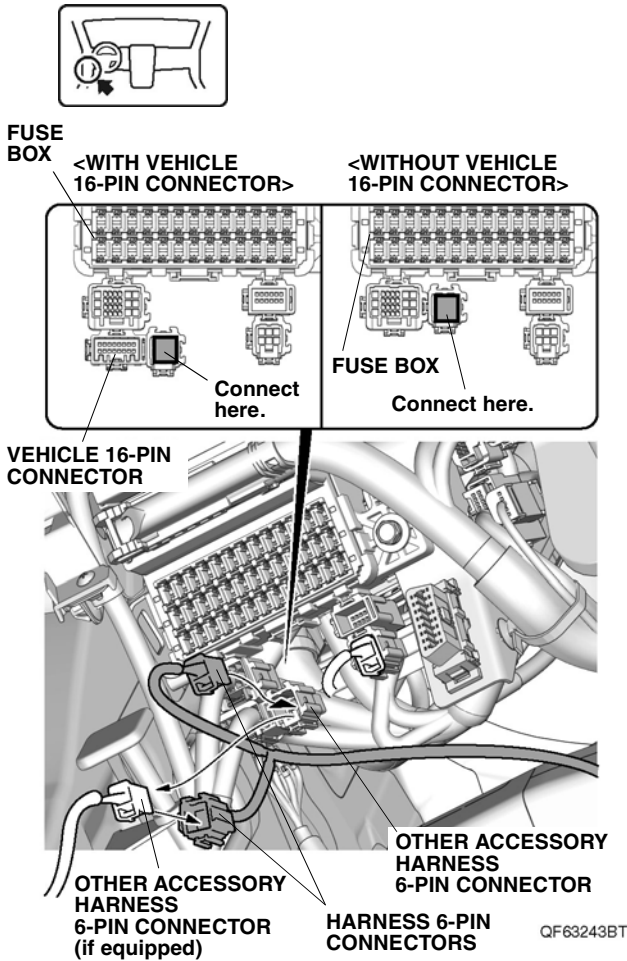


QF63241BT

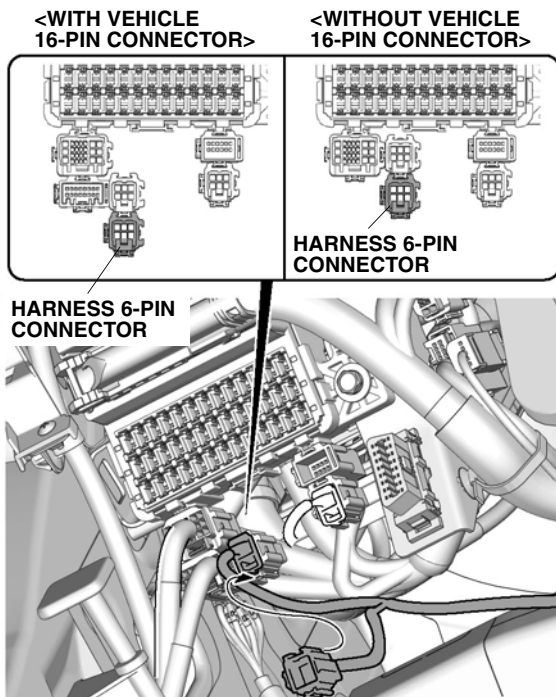
To step 41

<With other accessory harness, Step illuminators>

37. Connect the harness connector.



38. Secure the harness connector.

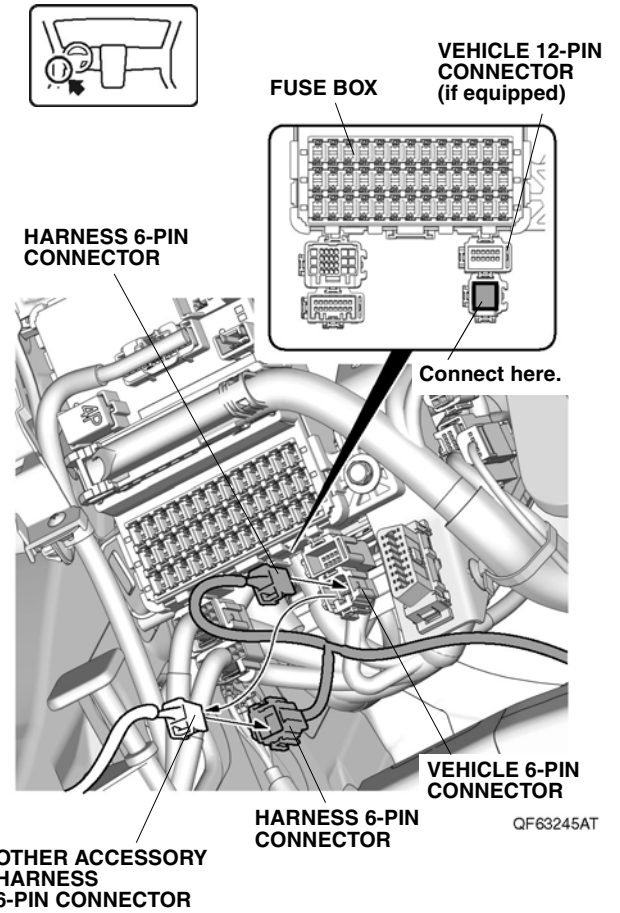


QF63244AT

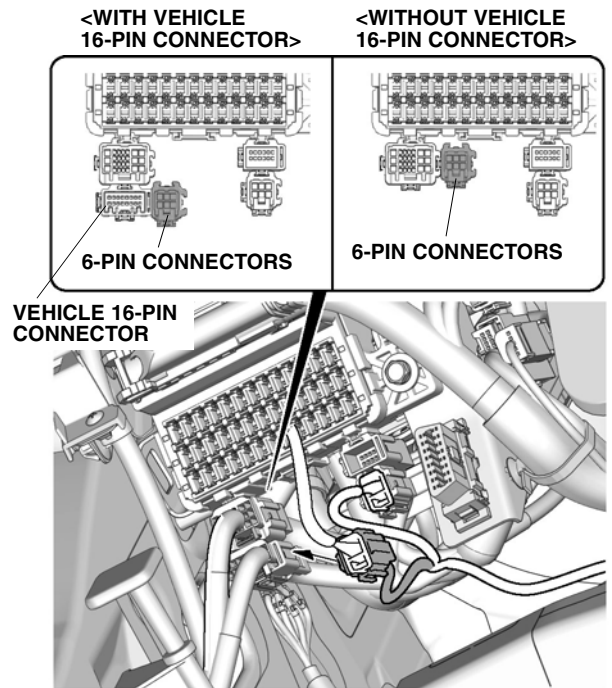
To step 41

<With other accessory harness, Fog lights>

39. Connect the harness connector.

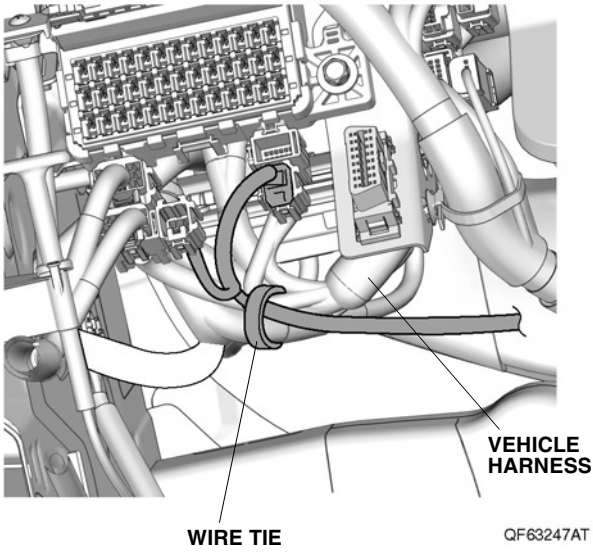


40. Secure the connectors.

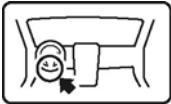


QF63246AT

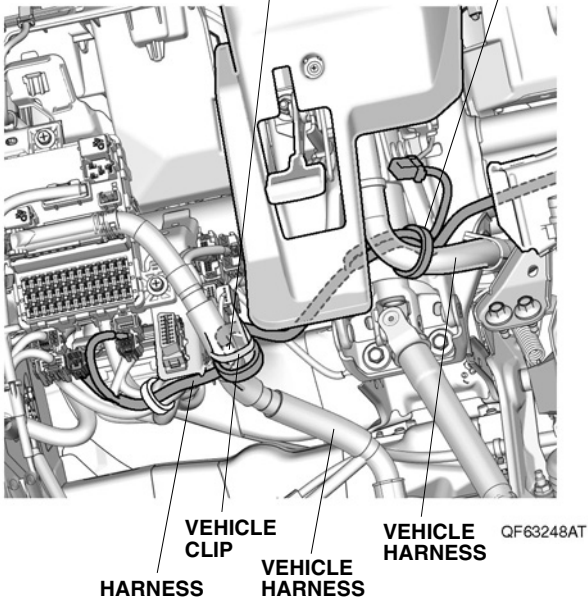
41. Secure the harness.



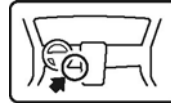
42. Secure the harness.



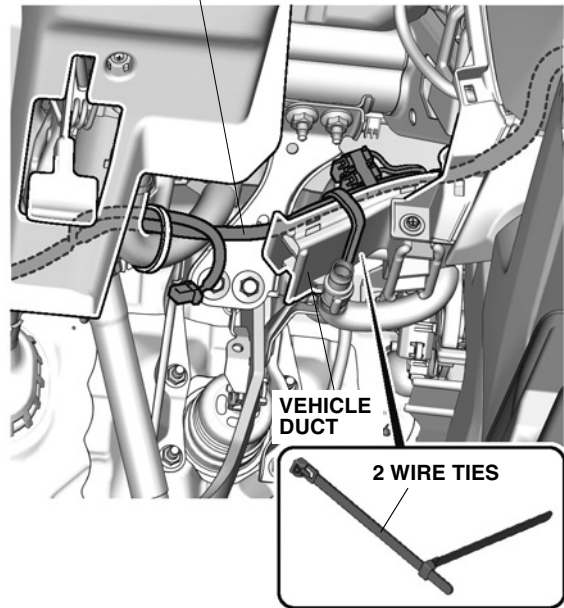
**GREEN TAPE**  
(Align with the vehicle clip.) **2 WIRE TIES**



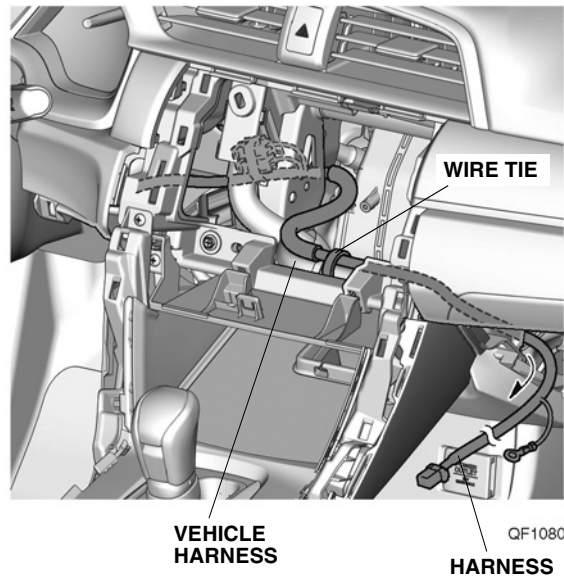
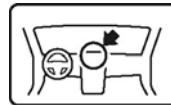
43. Secure the harness.



**HARNESS**



44. Secure the harness.



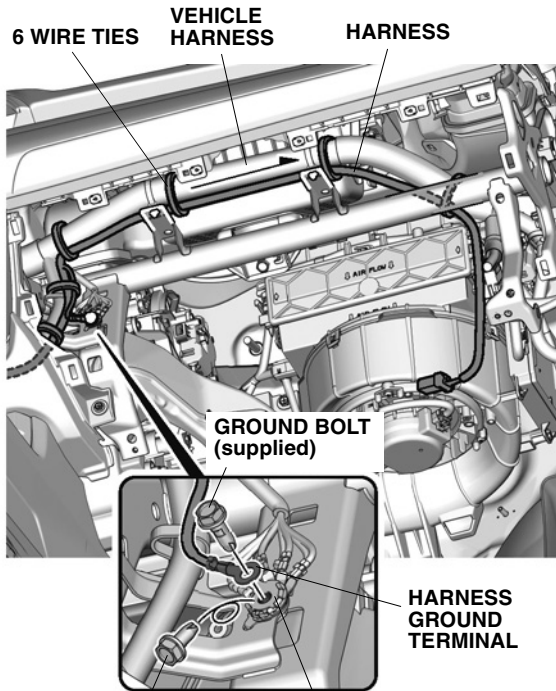
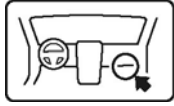


45. Secure the harness ground terminal.

**NOTICE**

- Do not put the ground terminal calkings on top of one another.

46. Secure the harness.



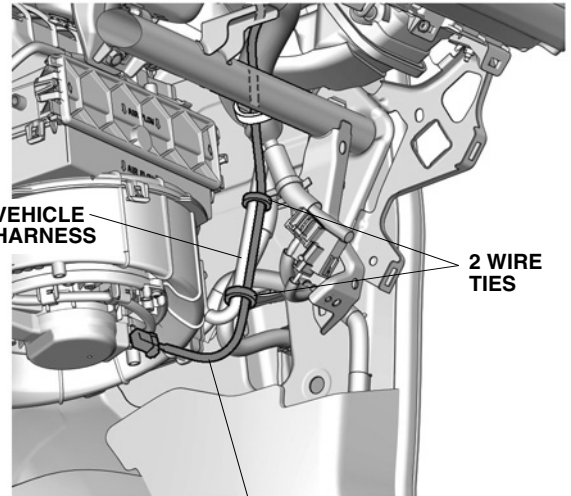
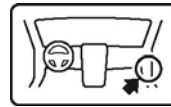
QF10813AJ



VEHICLE GROUND BOLT

VEHICLE GROUND TERMINAL

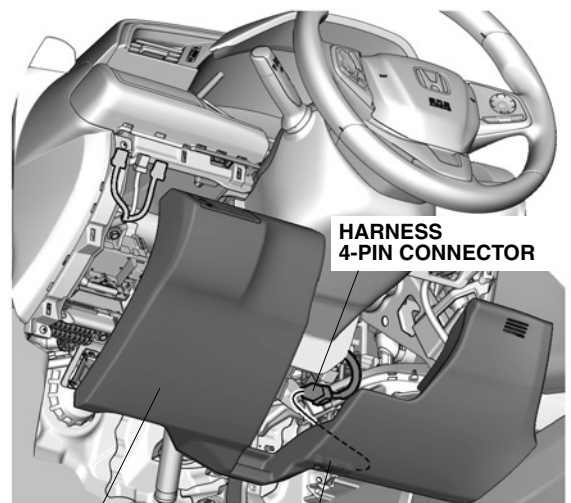
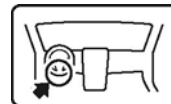
47. Secure the harness.



QF10814AJ

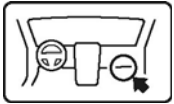
48. Connect the harness connector.

49. Reinstall the driver's dashboard lower cover.

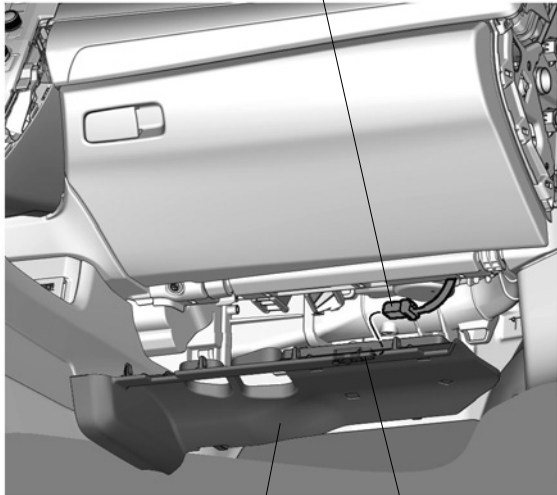


QF21201AJ

50. Reinstall the glove box cover and the glove box.
51. Connect the harness connector.
52. Reinstall the passenger's under cover.



HARNESS  
4-PIN CONNECTOR



PASSENGER'S  
UNDER COVER

FOOT  
LIGHT

QE32316AJ

To step 98

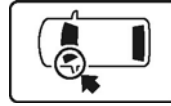
## Removing the Vehicle Parts (RHD)

<RHD models>

53. Remove the passenger's dashboard side lid.

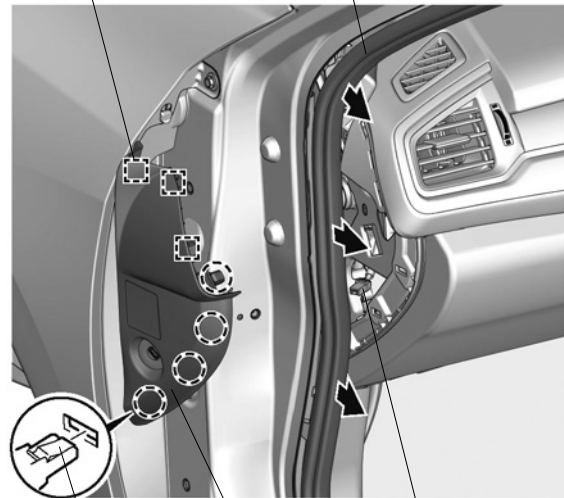
### CAUTION

- Work after leaving more than three minutes after disconnecting the negative cable from the battery.



3 RETAINING  
TABS

DOOR OPENING SEAL



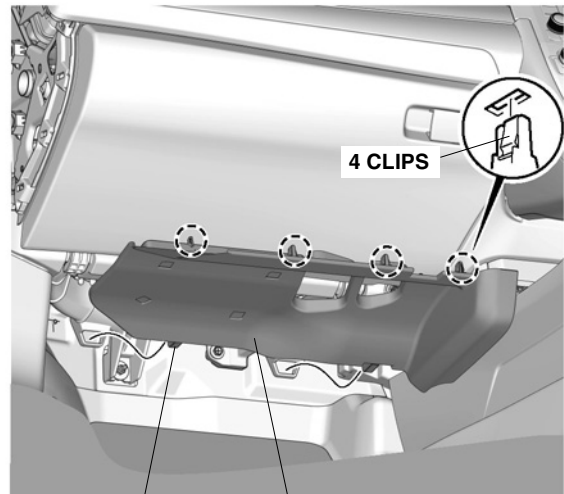
4 CLIPS

PASSENGER'S  
DASHBOARD  
SIDE LID

VEHICLE  
CONNECTOR

QE92006AJ

54. Remove the passenger's under cover.



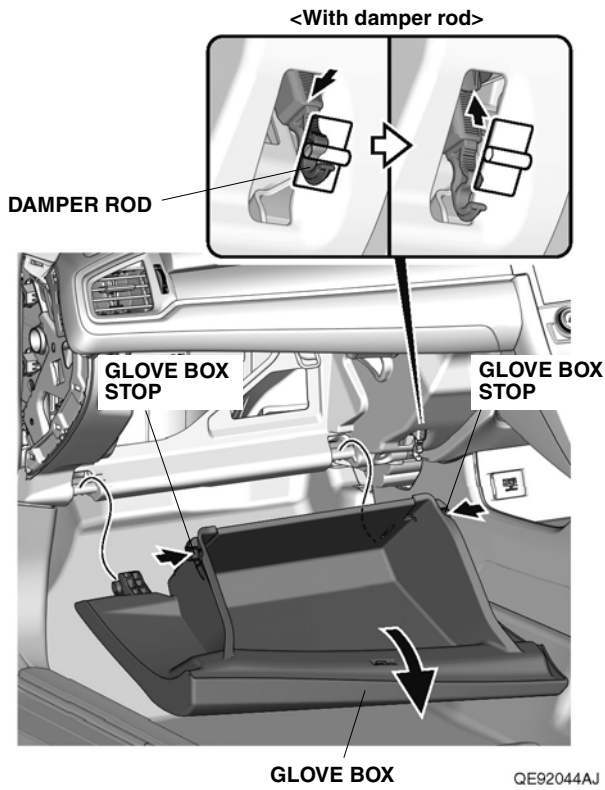
4 CLIPS

2 PINS

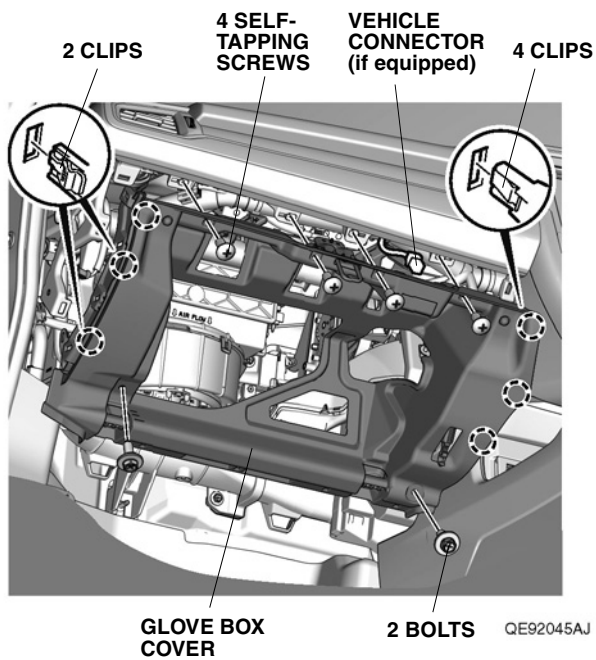
PASSENGER'S  
UNDER COVER

QE92011BJ

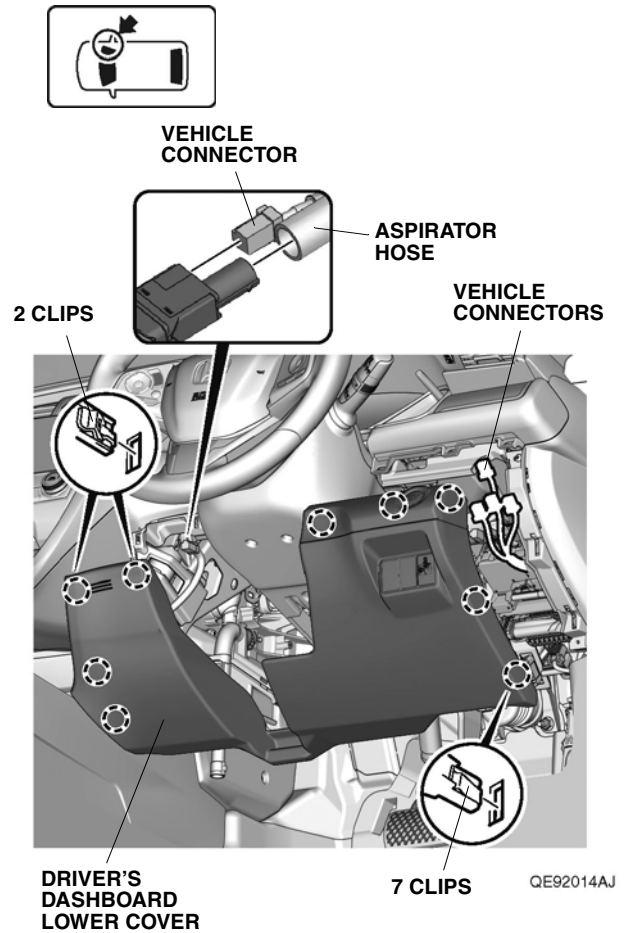
55. Remove the glove box.



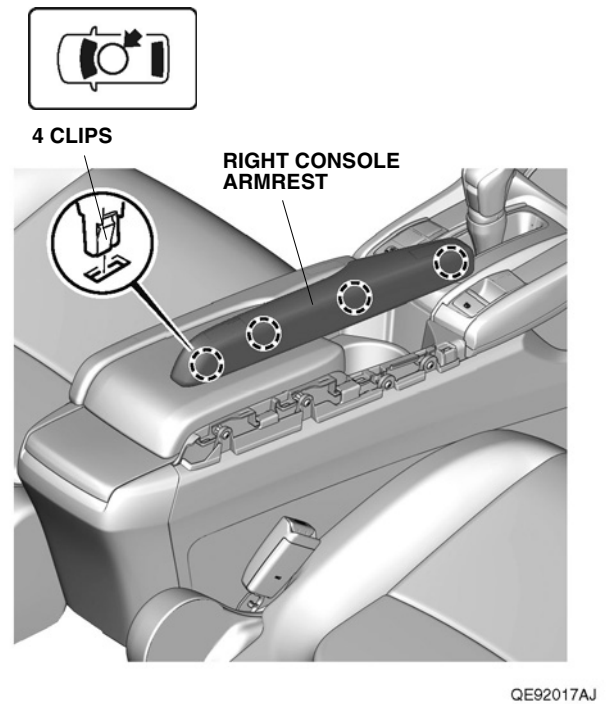
56. Remove the glove box cover.



57. Remove the driver's dashboard lower cover.



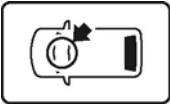
58. Remove the right console armrest.



59. Attach the tapes to protect the vehicle.

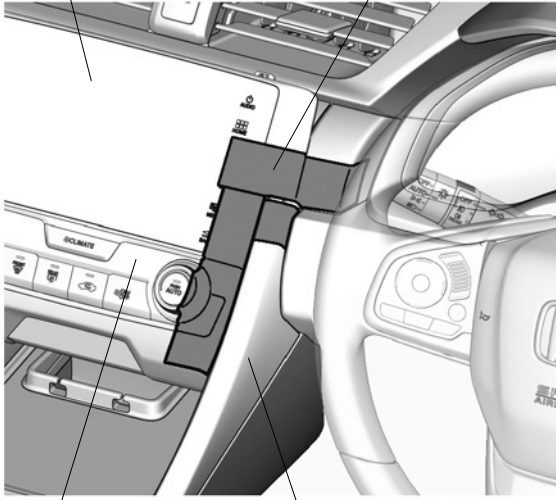
**NOTICE**

- Do not remove the tapes until after the reinstallation.



AUDIO UNIT

TAPES

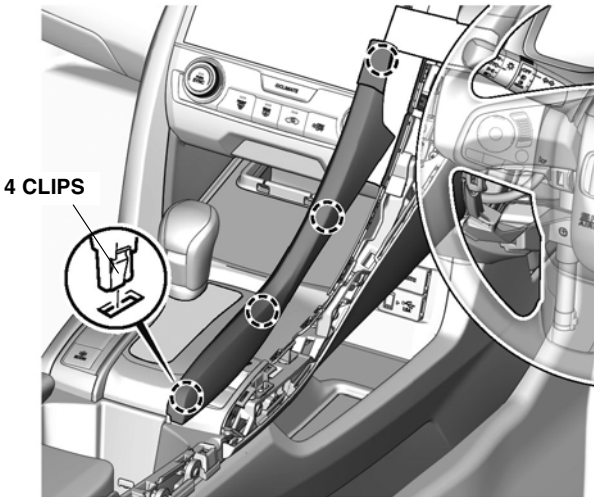


A/C CONTROL UNIT

RIGHT CENTER CONSOLE TRIM

QE92018AJ

60. Remove the right center console trim.



4 CLIPS

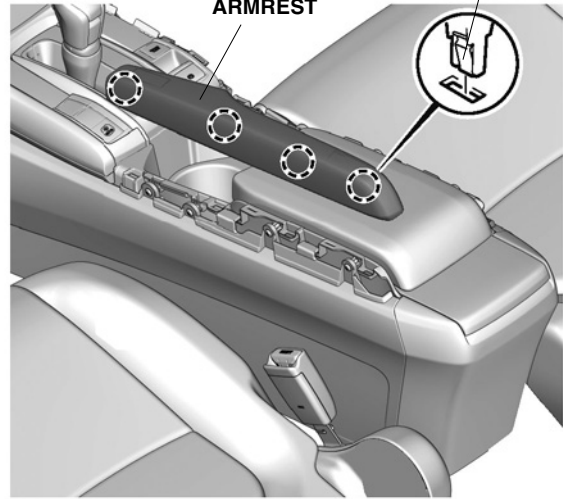
QE92019AJ

61. Remove the left console armrest.



LEFT CONSOLE ARMREST

4 CLIPS

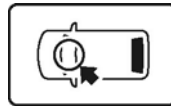


QE92022AJ

62. Attach the tapes to protect the vehicle.

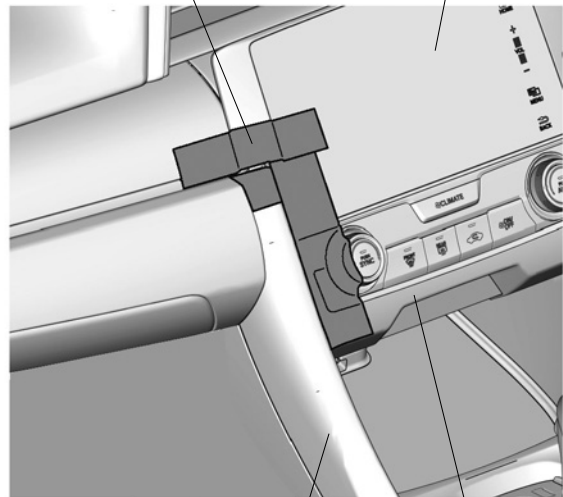
**NOTICE**

- Do not remove the tapes until after the reinstallation.



TAPES

AUDIO UNIT

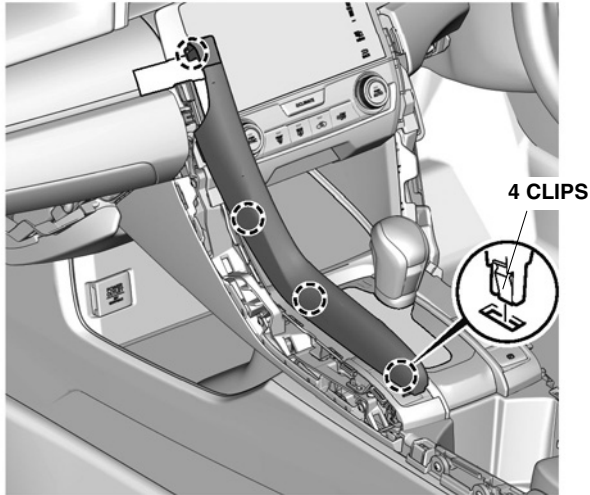


LEFT CENTER CONSOLE TRIM

A/C CONTROL UNIT

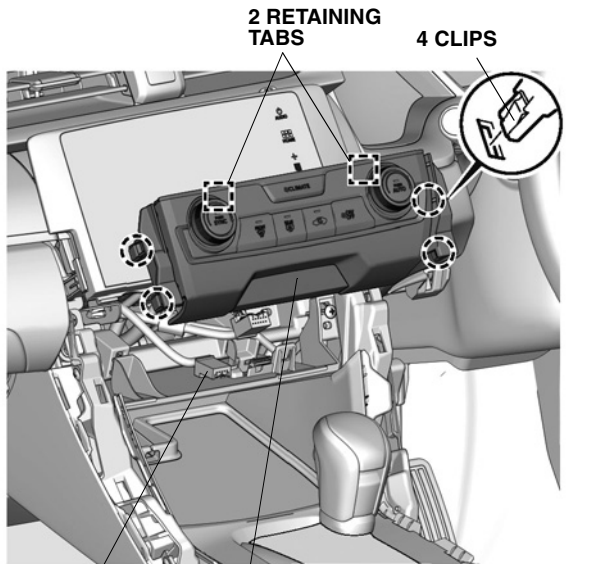
QE92023AJ

63. Remove the left center console trim.



QE92024AJ

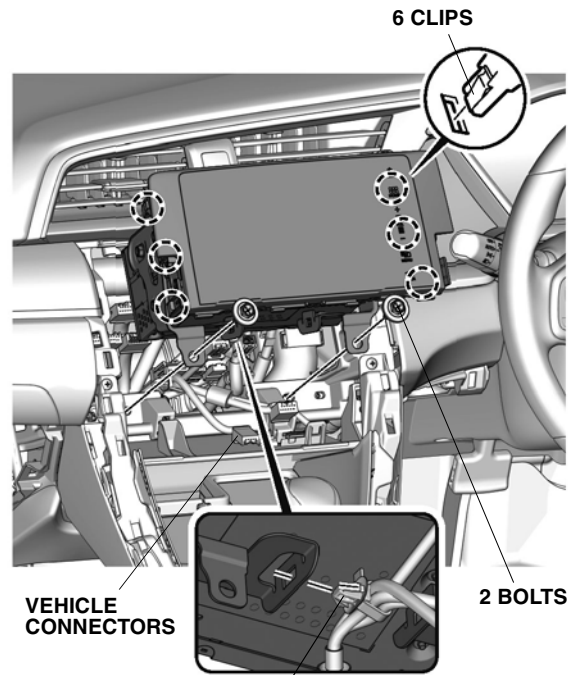
64. Remove the A/C control unit.



VEHICLE CONNECTORS  
A/C CONTROL UNIT

QE92027AJ

65. Remove the audio unit.



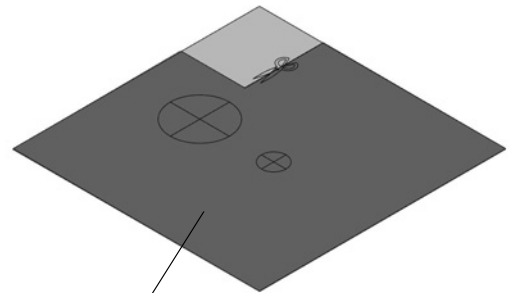
VEHICLE CONNECTORS

VEHICLE CLIP

QE92030AJ

## Installing the Foot Lights (RHD)

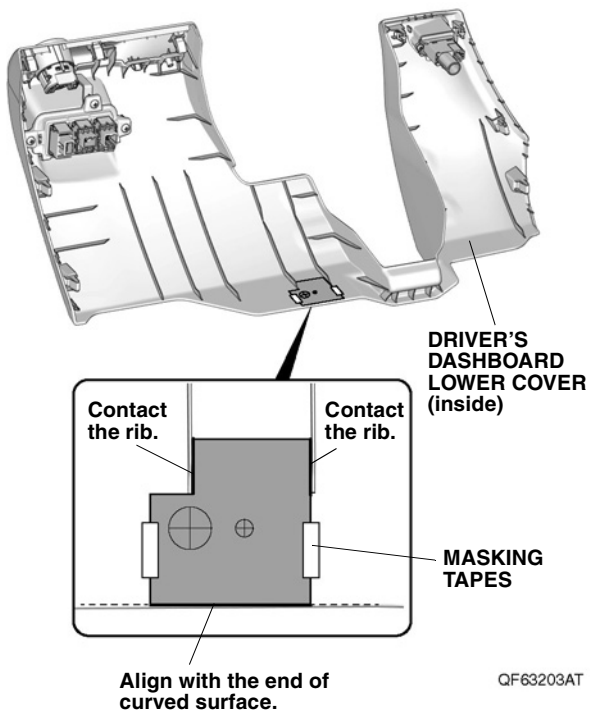
66. Cut the template.



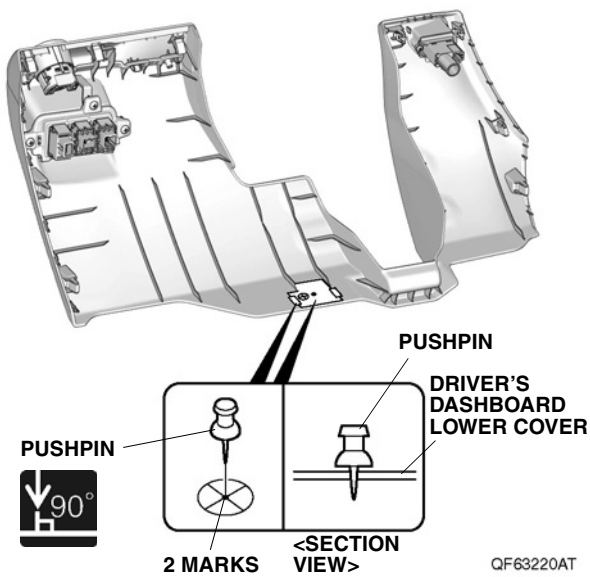
TEMPLATE

QF63202AT

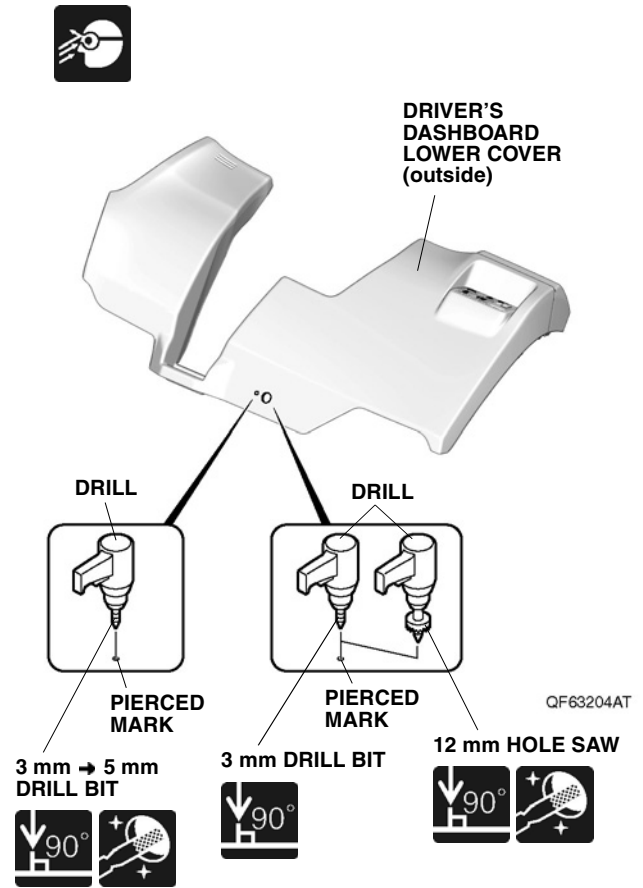
67. Attach the template.



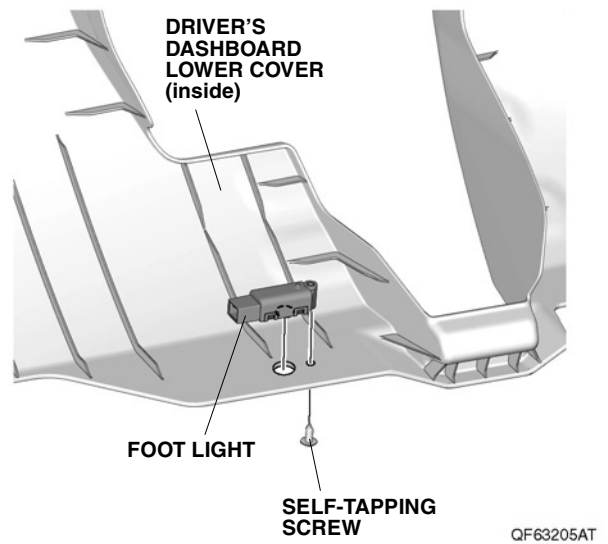
68. Pierce the driver's dashboard lower cover.  
 69. Remove the template.



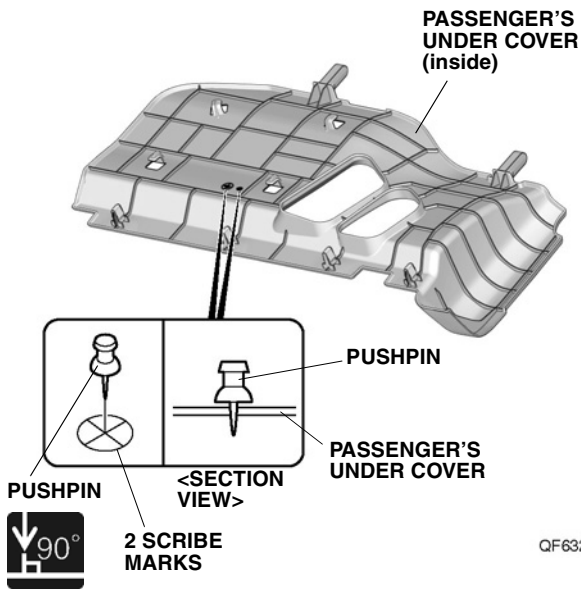
70. Drill the driver's dashboard lower cover.



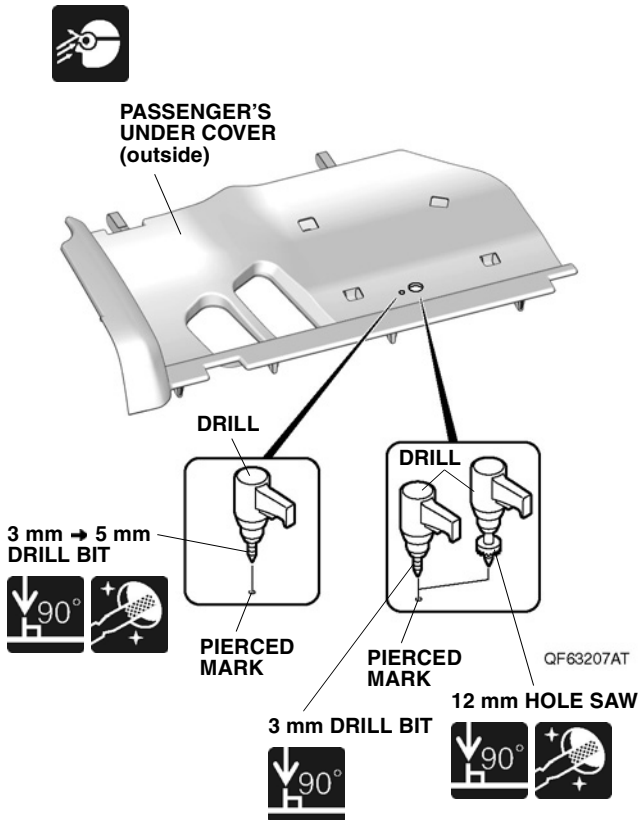
71. Install the foot light.



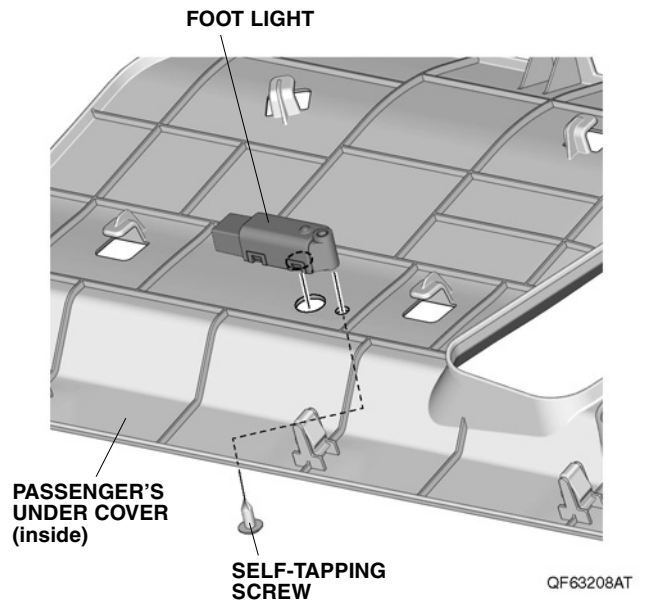
72. Pierce the passenger's under cover.



73. Drill the passenger's under cover.

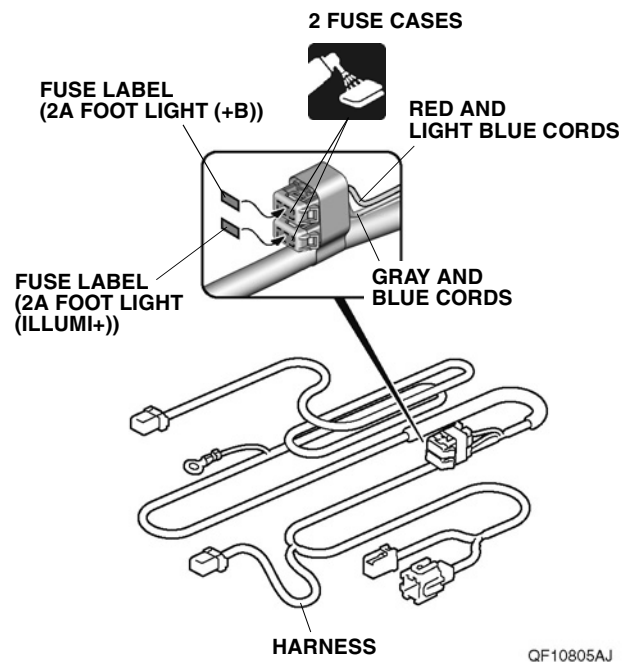


74. Install the foot light.



### Routing the Harness (RHD)

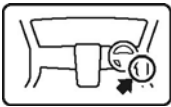
75. Attach the fuse labels.



- Without other accessory harness To step 76
- With other accessory harness  
 Wireless charger,  
 parking sensors,  
 step illuminators, and fog lights To step 78
- Wireless charger and/or  
 parking sensors To step 80
- Step illuminators To step 82
- Fog lights To step 84

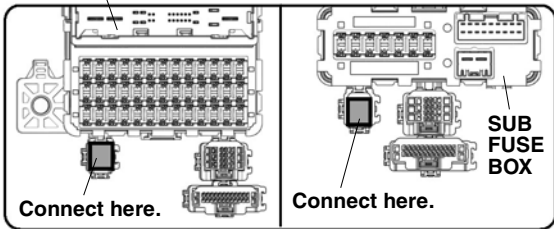
<Without other accessory harness>

76. Connect the harness connector.



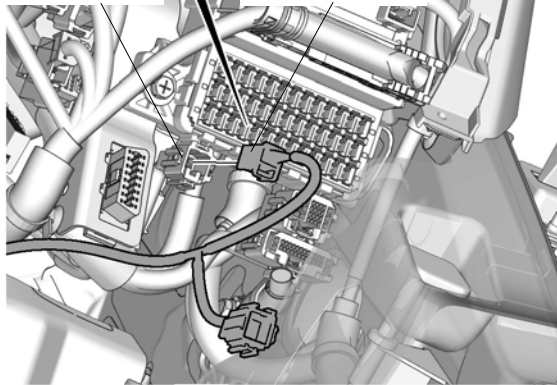
FUSE BOX

<WITH SUB FUSE BOX>



VEHICLE 6-PIN CONNECTOR

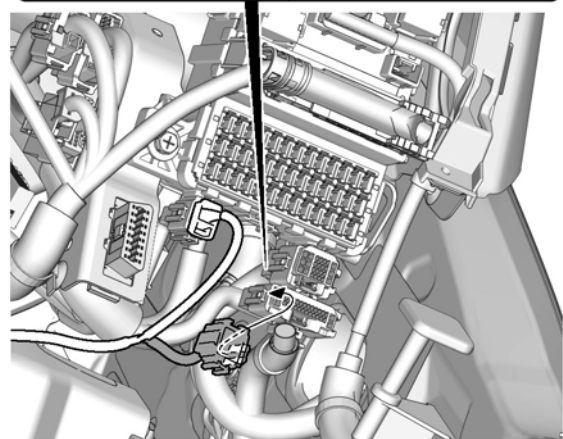
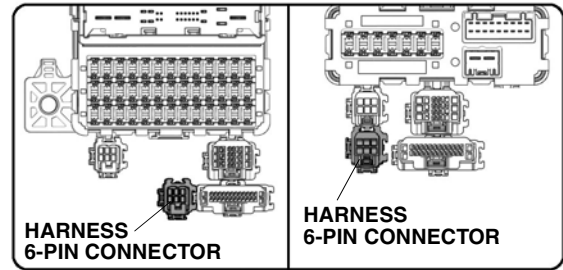
HARNESS 6-PIN CONNECTOR



QF63209AT

77. Secure the harness connector.

<WITH SUB FUSE BOX>



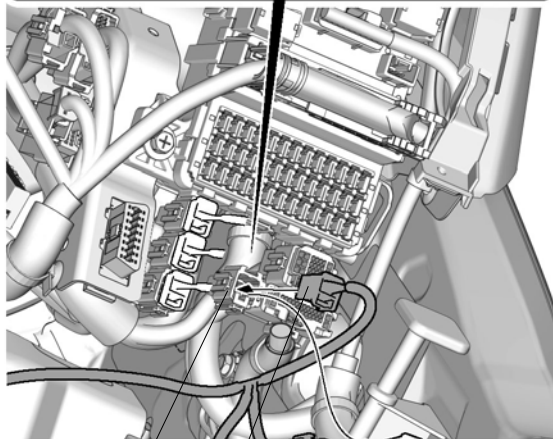
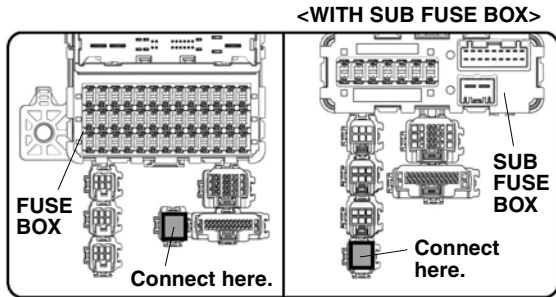
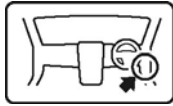
QF63255AT

To step 86



<With other accessory harness, Wireless charger, parking sensors, step illuminators, and fog lights>

78. Connect the harness connector.



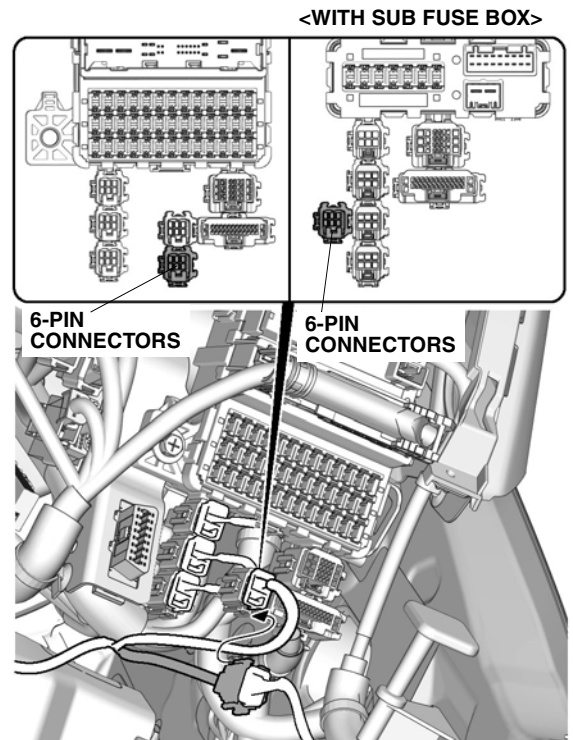
OTHER ACCESSORY HARNESS 6-PIN CONNECTOR

HARNESS 6-PIN CONNECTORS

OTHER ACCESSORY HARNESS 6-PIN CONNECTOR

QF63260AT

79. Secure the harness connector.

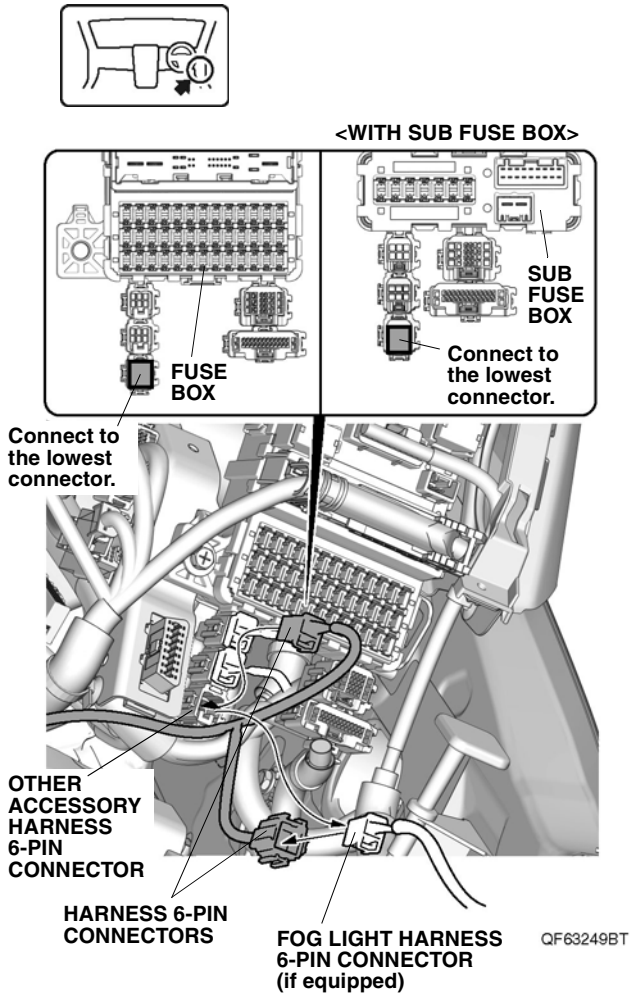


QF63261AT

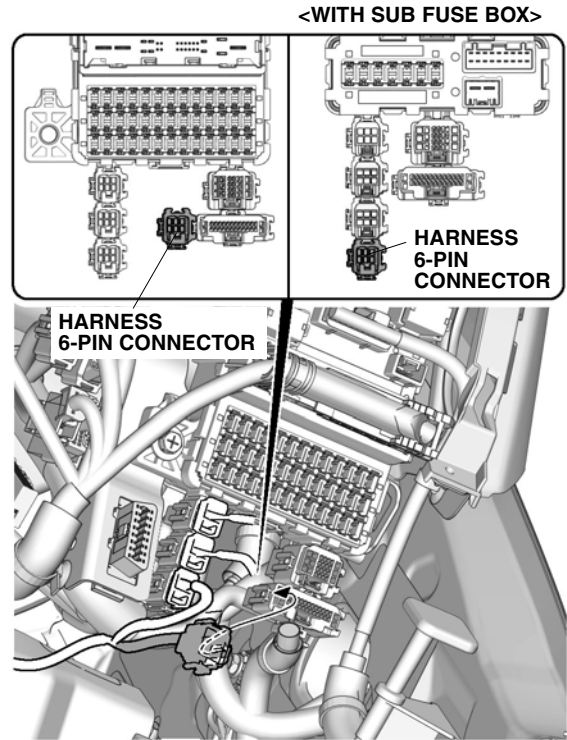
To step 86

<With other accessory harness, Wireless charger and/or parking sensors>

80. Connect the harness connector.



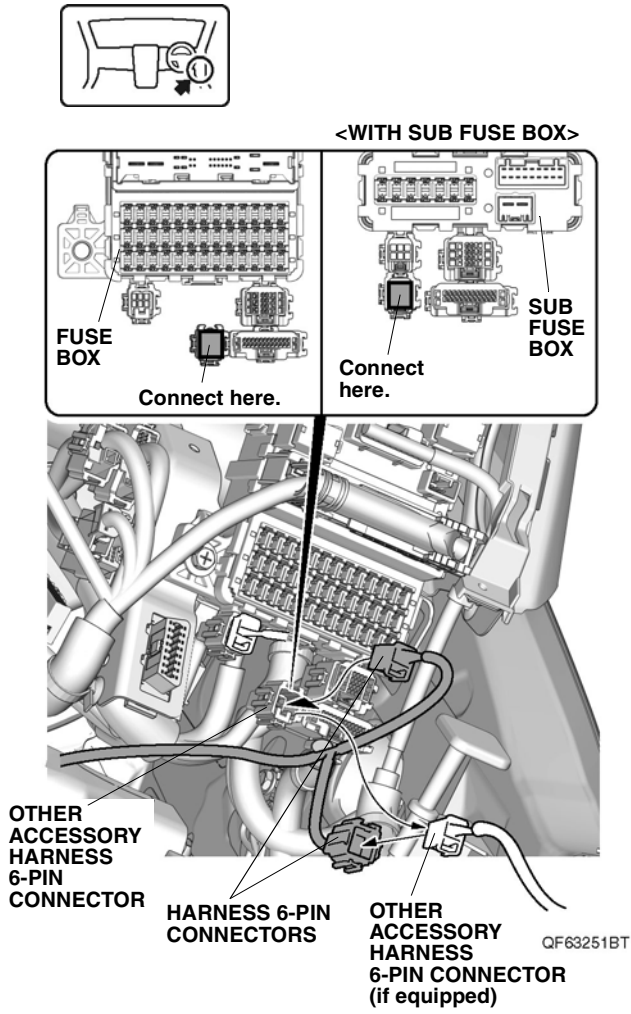
81. Secure the harness connector.



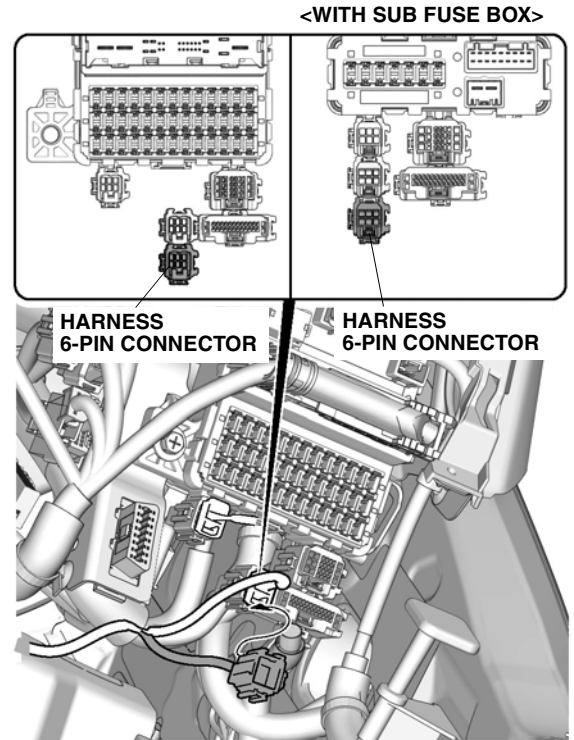
To step 86

<With other accessory harness, Step illuminators>

82. Connect the harness connector.



83. Secure the harness connector.

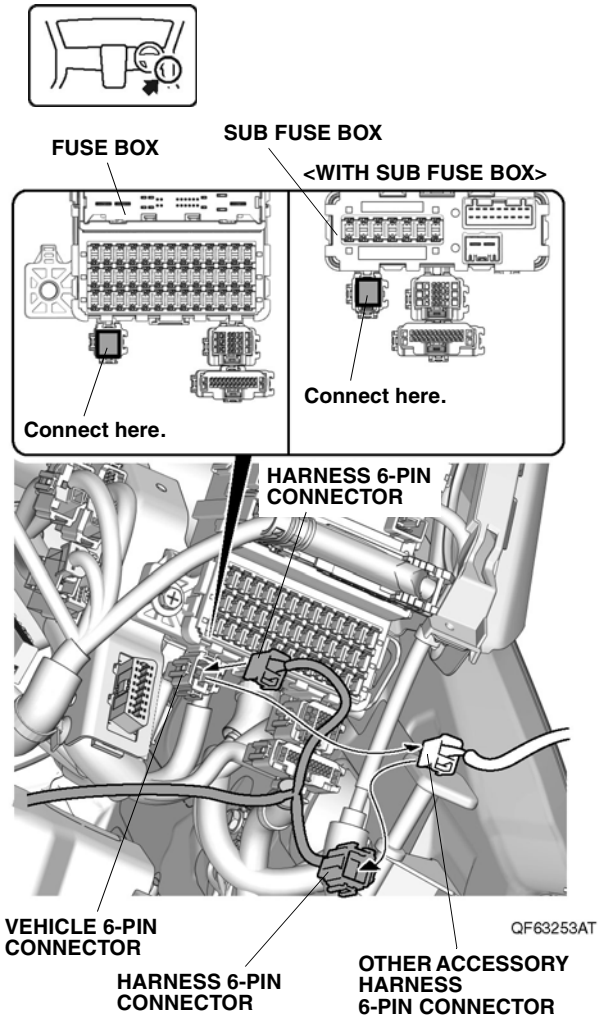


QF63252AT

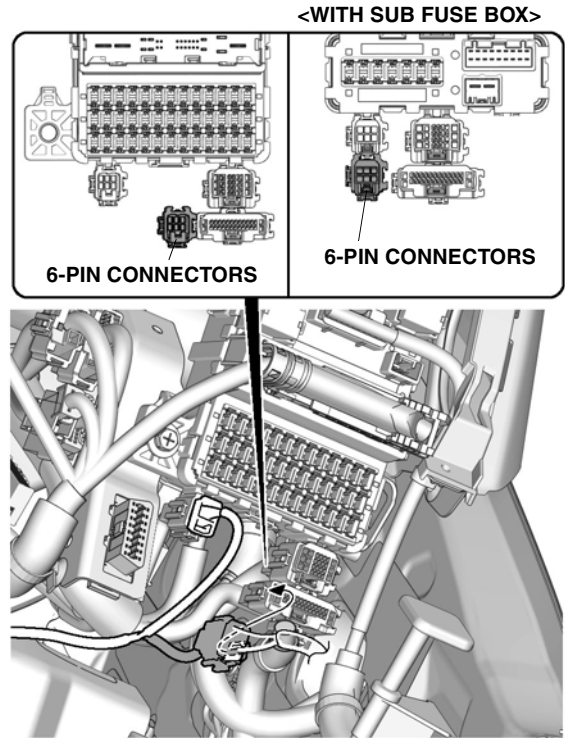
To step 86

<With other accessory harness, Fog lights>

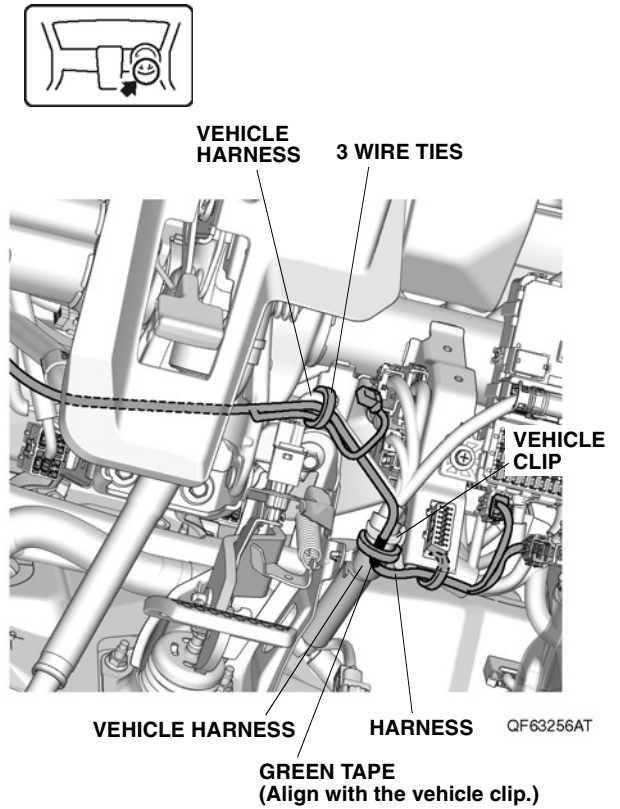
84. Connect the harness connector.



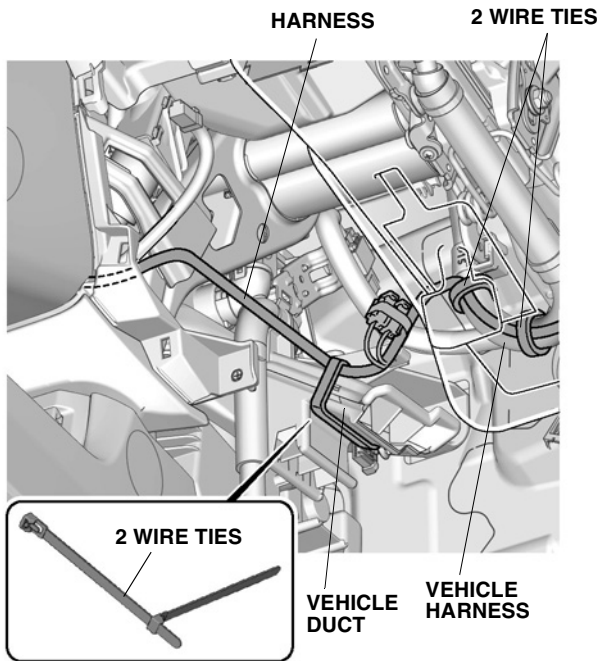
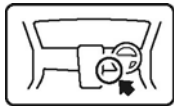
85. Secure the connectors.



86. Secure the harness.



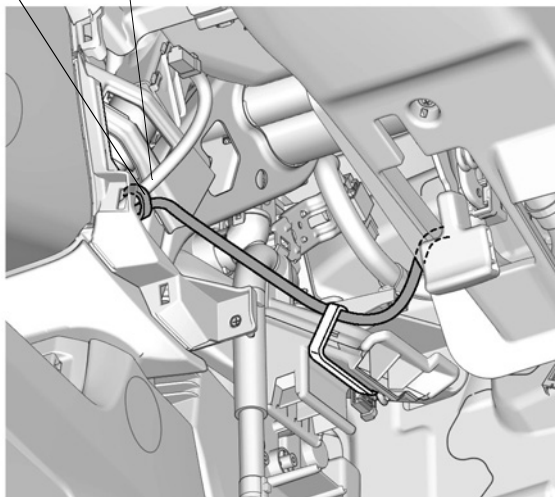
87. Secure the harness.



QF63212AT

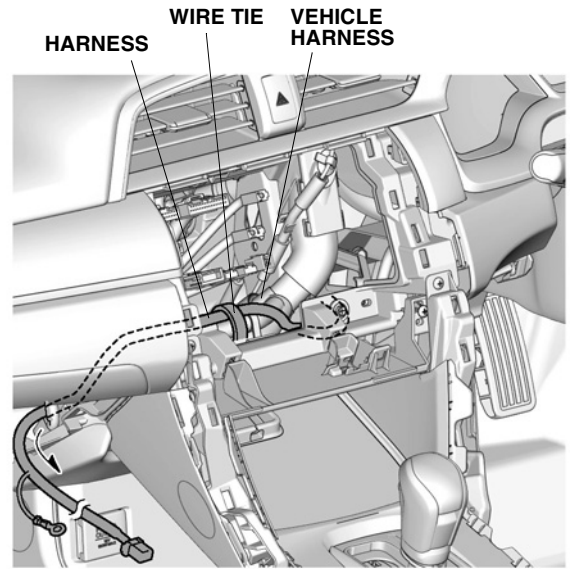
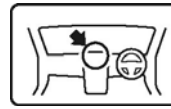
88. Secure the harness.

WIRE TIE VEHICLE HARNESS



QF63213BT

89. Secure the harness.

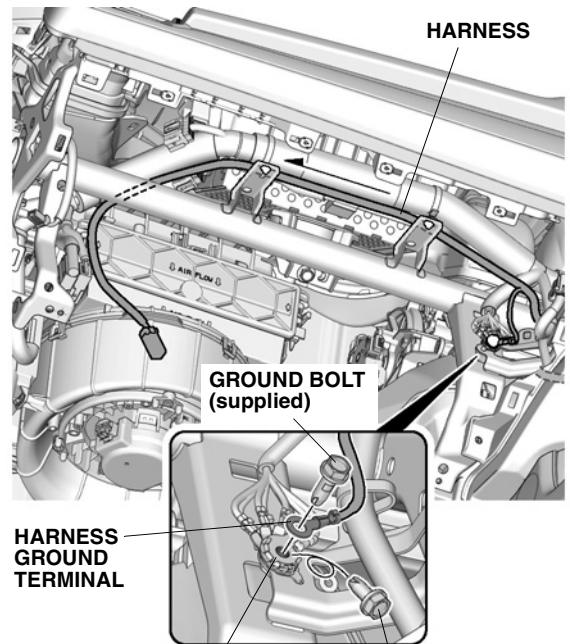
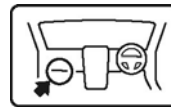


QF63214AT

90. Secure the harness ground terminal.

**NOTICE**

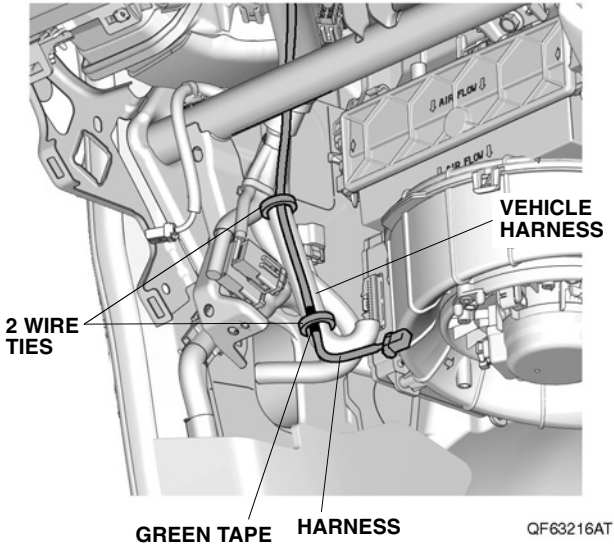
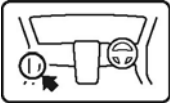
- Do not put the ground terminal calkings on top of one another.



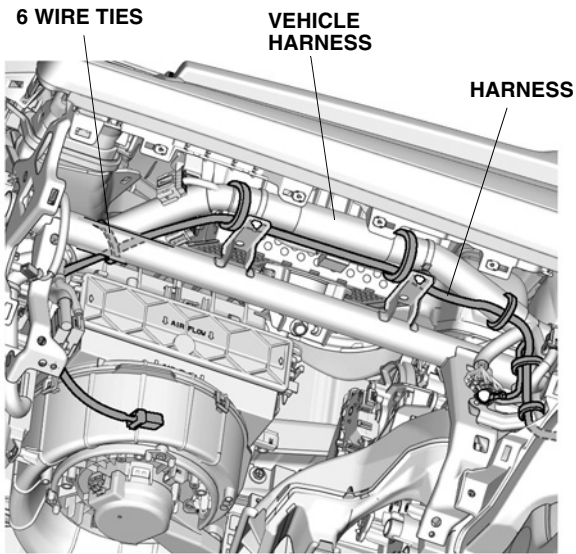
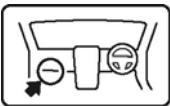
QF63215AT



91. Secure the harness.

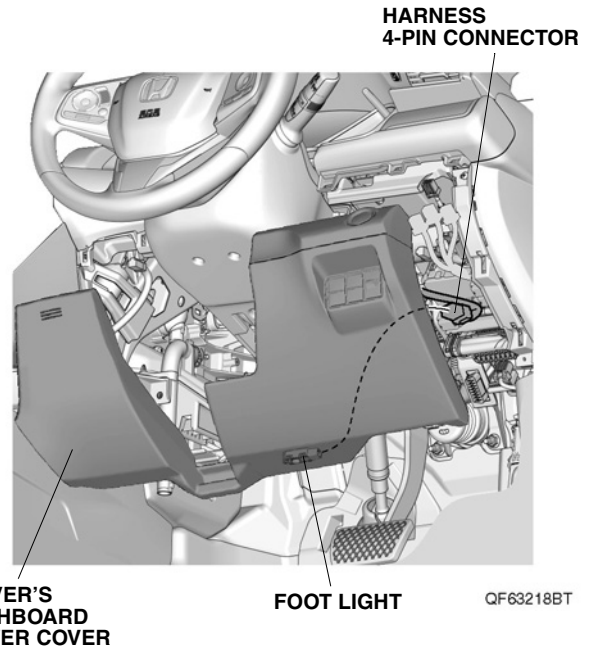
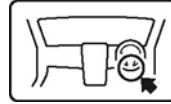


92. Secure the harness.



93. Connect the harness connector.

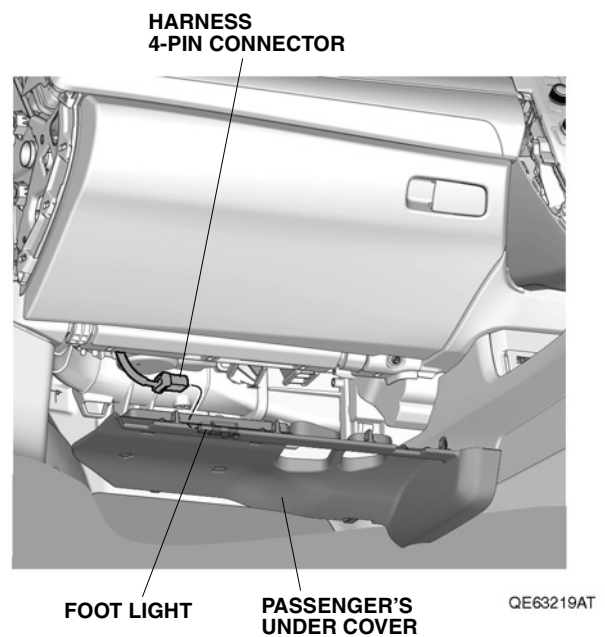
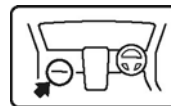
94. Reinstall the driver's dashboard lower cover.



95. Reinstall the glove box cover and the glove box.

96. Connect the harness connector.

97. Reinstall the passenger's under cover.

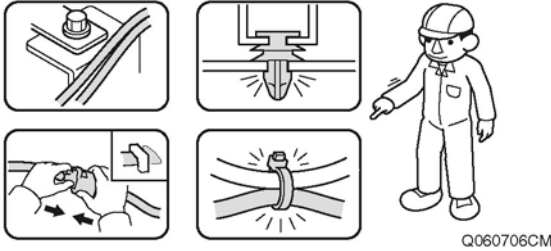


## Check After Installation

98. Check that all parts are routed and installed properly.

### NOTICE

- Check that the harnesses are not pushed, not pulled and not pinched.
- Check that all clamps and wire ties are installed securely.

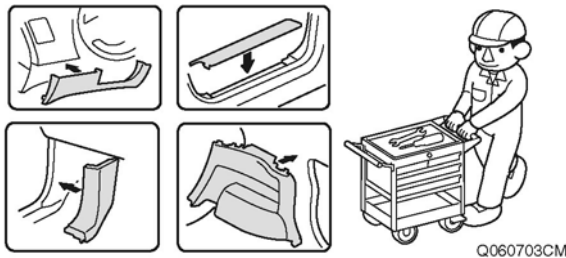


## Reinstalling the All Removed Parts

99. Reinstall all removed parts.

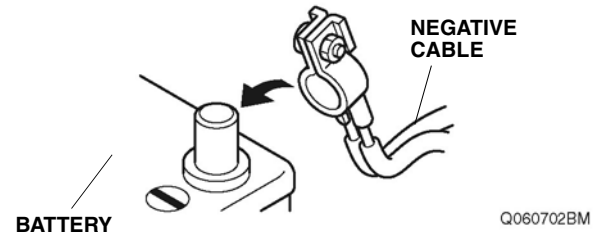
### NOTICE

- Be extremely careful not to damage the vehicle parts, pinch the harnesses.
- Make sure to secure the retaining tabs and clips properly to avoid separation.



## Operation Check

100. Reconnect the negative cable to the battery.



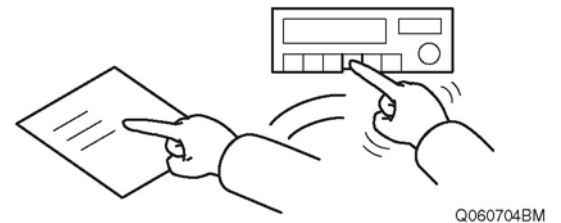
101. Turn the engine switch to ON; the SRS indicator should come on for about 6 seconds and then go off.
102. Check that the foot light comes on by turning the light switch to the “” or “” position.
103. Check that the foot light comes on by opening a door.

<For vehicle equipped with the automatic lighting control>

104. When the light switch is in the “AUTO” position, while the position lights and the headlights are on, the foot light is turned.

## Vehicle Check

105. Check that the electric accessories and systems operate properly.
106. Press and hold the audio power button for two seconds, or enter anti-theft code for the audio/navigation system.
107. Reset the memory of each equipment and restore the positions of those control knobs.



## MAINTENANCE

### Fuse Location

- For the location of the 2A fuse, refer to “GENERAL VIEW.”