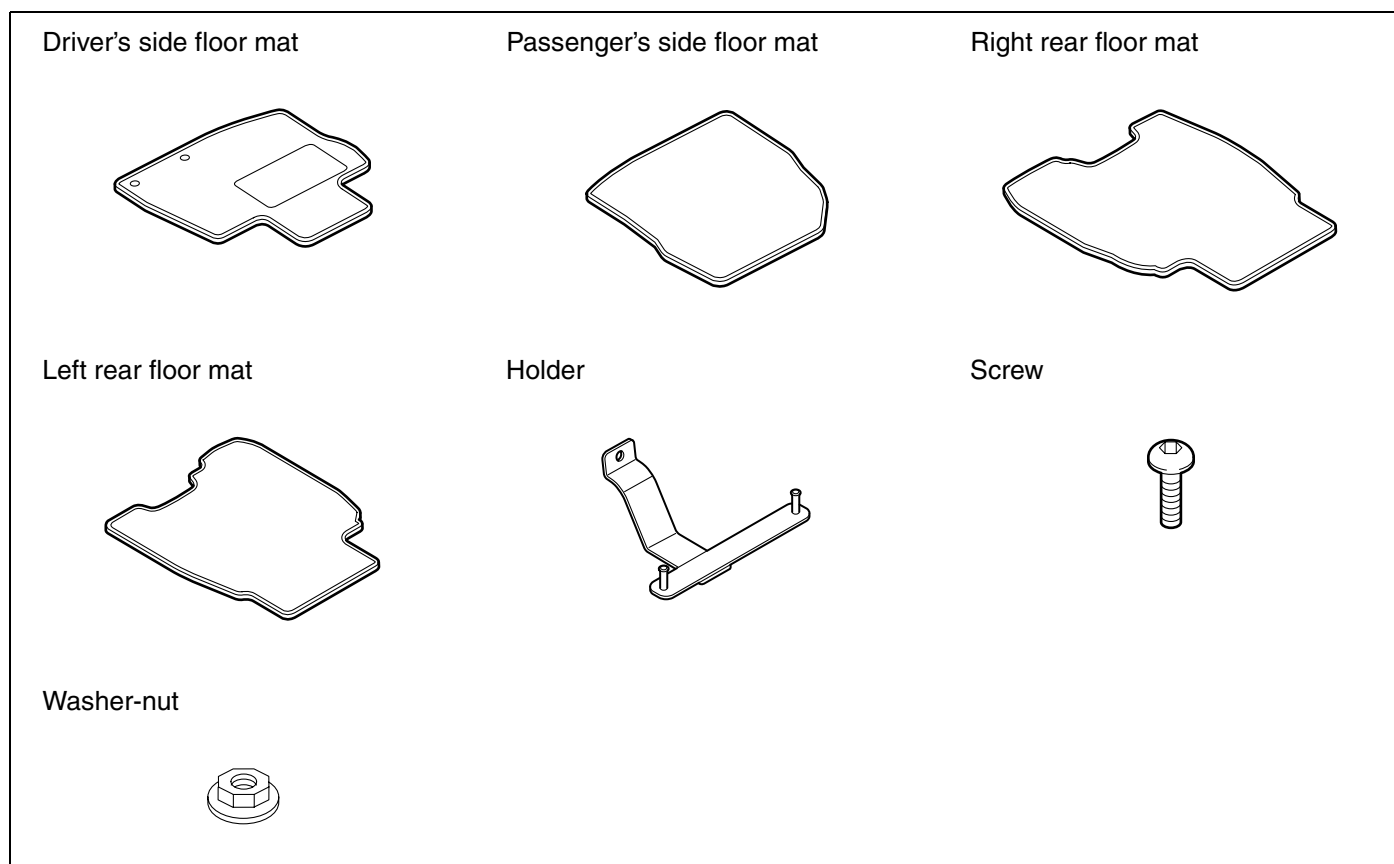


Parts List



Tool and Supplies Required

- Allen wrench (4 mm)
- Wrench (10 mm)
- Utility knife

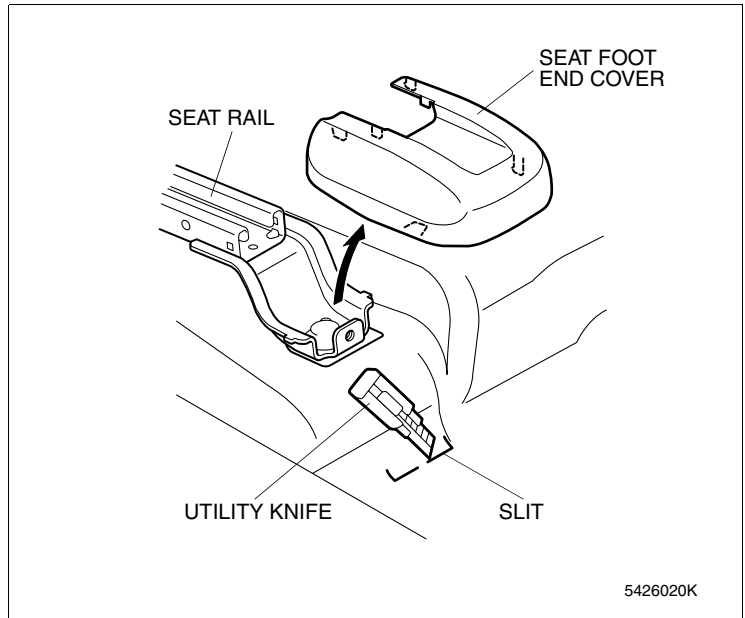
Before You Begin

Customer Information

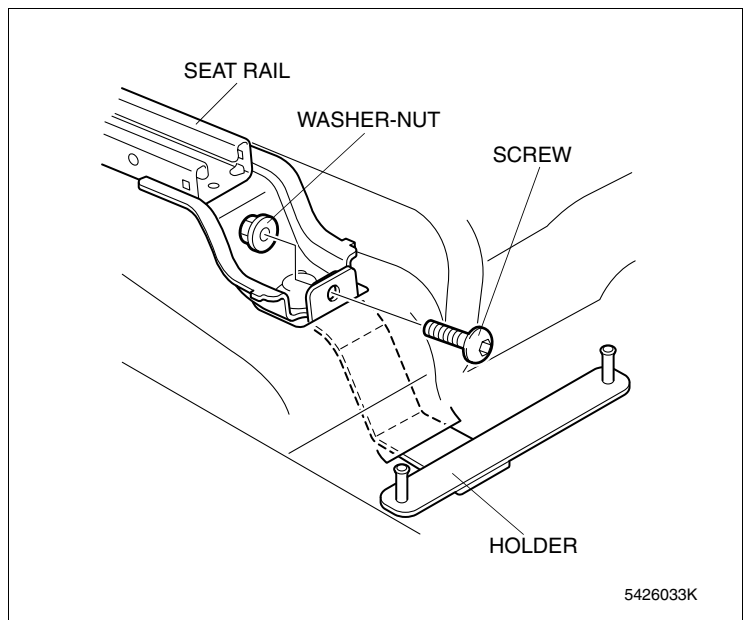
- Before installation, confirm the installation locations of the floor mat.

Installation

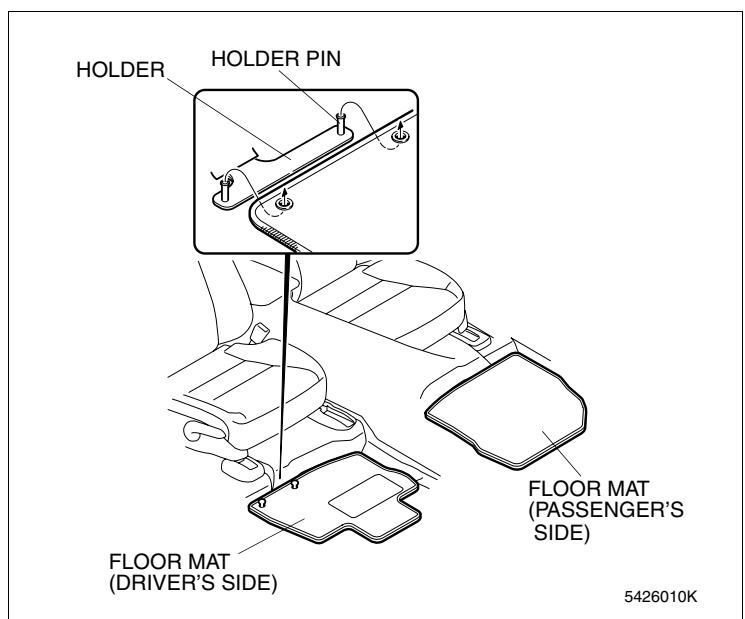
1. Slide the driver's seat to the rearmost position.
2. Remove the seat foot end cover.
3. Using a utility knife, cut into the floor mat along the slit in the floor mat.



4. Pass the holder through the slit you just made in the floor mat to the underside of the floor mat. Then, secure the holder to the hole at the end of the seat rail using a screw and washer-nut.



5. Align the two holes in the floor mat with the two holder pins and position the floor mat in the driver's foot space.
6. Position the passenger's floor mat in the passenger's foot space.



7. Position the right and left rear floor mats in the right and left rear passenger's foot spaces.

